



## JESSICA TECHNOLOGY

30 YEARS TOP STANDARD  
PARTS MANUFACTURER



佛山杰西卡科技有限公司  
JESSICA TECHNOLOGY CO., LTD.

<https://mw-equipstandardpart.com/>  
E-mail: [Jessica@jessica-tech.com](mailto:Jessica@jessica-tech.com)  
Cellphone: +86-13928508755  
General Manager  
Jessica



MANY WELL (FA) ENGINEERING CO., LTD.  
JESSICA TECHNOLOGY CO., LTD.



# 公司简介

## Company Introduction

诚信为本 共创明天

FOSHAN MANY WELL (FA) ENGINEERING CO., LTD. is a professional automation equipment standard parts manufacturer integrating design, research and development, production, marketing and service. Since its establishment in 1994, the company has been developing steadily by adhering to the tenet of "pursuing excellence, crafting with ingenuity", focusing on creating first-class equipment standard parts for domestic and foreign business partners. MANYWELL has perfected the idea of producing standard equipment parts with unparalleled consistency and is therefore justifiably become the benchmark in the field of China automatic standard componets.

The main products of MANYWELL including equipment casters & wheels, leveling feet/leveling legs/leveling pads/leveling mounts/leveling supports, handles, knobs, hinges, magnetic locks, toggle latches/toggle locks/toggle clips/toggle clamps/, thumb latches/mortise locks, gas springs/gas pistons/gas rams/gas struts, lock sets and so on. The unique range of our parts has the right product for almost every industry equipments, they are needed in everywhere. Widely used in medical equipments, semiconductor equipments, automation equipments, communication equipments, hardware and electrical cabinets, aviations, ships, new energies, etc. And if not, we offer you customer-specific special solutions.

MANYWELL is leading in the development and production of standard parts for the entire industry in China. We always insist on "quality first, customers foremost" as our service purpose. Adhering to the working attitude of "high-quality, high-efficiency, unity and dedication", to provide global buyers with cost-effective & excellent quality equipment elements.

The comprehensive range of MANYWELL products has been highly appreciated by customers all over the world, provides our clients with excellent purchasing experience. Quality and service are guaranteed at all times everywhere! Welcome worldwide customers develop new products by designs and samples, OEM & ODM cooperation with us, and we look forward to becoming your most reliable long-term business partner!

# 企业荣誉

## Enterprise Honor





# 精益求精

KEEP IMPROVING

智富园工业城



- ◆ 医疗设备
  - ◆ 半导体设备
  - ◆ 自动化设备
  - ◆ 通讯设备
  - ◆ 五金电气柜

- ◆ 航空
  - ◆ 自动化
  - ◆ 船舶
  - ◆ 新能源





# 产品目录

## Product Catalog

### Equipment Casters

 P-1 K-101	 P-1 K-101	 P-1 K-101	 P-1 K-102	 P-1 K-102	 P-2 K-103	 P-2 K-103	 P-2 K-103	 P-3 K-104
 P-3 K-104	 P-3 K-105	 P-3 K-105	 P-4 K-106	 P-4 K-106	 P-4 K-106	 P-4 K-106	 P-4 K-106	 P-4 K-106
 P-5 K-107	 P-5 K-107	 P-5 K-107	 P-5 K-107	 P-6 K-107	 P-6 K-107	 P-6 K-107	 P-6 K-107	









































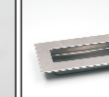




















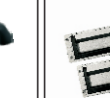

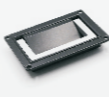










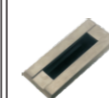

### Equipment Leveling Feet

 P-7 KC-2206S	 P-7 KC-2236S	 P-8 KC-2241S	 P-8 KC-2251S	 P-9 KC-2271S	 P-9 KC-2276S	 P-10 KC-300-1S	 P-10 KC-280M	 P-11 KC-1280S
 P-11 KC-2280S	 P-12 KC-3280S	 P-12 KC-4280S	 P-13 KC-210	 P-13 KC-1250M	 P-14 KC-1260M	 P-14 KC-1261M	 P-15 KC-1262M	 P-15 KC-1265S
 P-16 KC-1270	 P-16 KC-1271	 P-17 KC-1274S	 P-17 KC-1275	 P-18 KC-1276S	 P-18 KC-27**M	 P-19 KC-27**S	 P-19 KC-JJ	

### Equipment Gas Springs

 P-20 G-A系列	 P-21 G-B系列	 P-22 G-C系列
--	--	--

### Equipment Handles

 P-23 A-1006S	 P-23 A-1006-2S	 P-24 A-1006-3S	 P-24 A-1006-4M	 P-25 A-1006-8S	 P-25 A-1007S	 P-26 A-1008S	 P-26 A-1009S	 P-27 A-1011S
 P-27 A-1016S	 P-28 A-1175-2S	 P-28 A-MPE135	 P-29 A-3040	 P-29 A-3041S	 P-30 A-1042S	 P-30 A-1074	 P-31 A-1075S	 P-31 A-3076
 P-32 A-1077	 P-32 A-1078	 P-33 A-1079A	 P-33 A-1080-2S	 P-34 A-1081S	 P-34 A-1082S	 P-35 A-1083S	 P-35 A-1084S	 P-36 A-5004M
 P-36 A-1104S	 P-37 A-1005-5S	 P-37 A-1106	 P-38 A-1110	 P-38 A-2110	 P-39 A-1111S	 P-39 A-1113	 P-40 A-1114	 P-40 A-3107
 P-41 A-3111	 P-41 A-3112	 P-42 A-3114	 P-42 A-111S	 P-43 A-1153S	 P-43 A-1181S	 P-44 A-1190S	 P-44 A-1191N	 P-45 A-1192S
 P-45 A-3005S	 P-46 A-1823S	 P-46 A-183Z	 P-47 A-260*A	 P-47 A-2601S	 P-48 A-2603A	 P-48 A-2603S	 P-49 AP-2603	 P-49 A-2604A
 P-50 A-2605A	 P-50 A-2606P	 P-51 A-40S	 P-51 A-41S	 P-52 A-42	 P-52 A-43Z	 P-53 A-2610P	 P-53 A-5001A	 P-54 A-5002Z
 P-54 A-5003Z	 P-55 A-5005Z	 P-55 A-69Z	 P-56 AP-1130-1P	 P-56 AP-1157P	 P-57 AP-182P	 P-57 AP-183P	 P-58 AP-191P	 P-58 AP-192-W
 P-59 AP-197P	 P-59 A-PT148-Z	 P-60 A-UD120S	 P-60 A-US160S					



### Equipment Hinges

P-61 B-1026S	P-61 B-1027S	P-62 B-1028S	P-62 B-1029S	P-63 B-1030S	P-63 B-1031S	P-64 B-1032S	P-64 B-1046S	P-65 B-1078S
P-65 B-1078S-13D	P-66 B-1103S	P-66 B-1226S	P-67 B-1234S	P-67 B-1369S	P-68 B-12**S	P-68 B-202S	P-69 B-1064-2J	P-69 B-1064-SZ
P-70 B-1065S	P-70 B-1066S	P-71 B-2001A	P-71 B-2002A	P-72 B-2003A	P-72 B-2005A	P-73 B-2006A	P-73 B-2007A	P-74 B-1104A
P-74 B-FB-717-2Z	P-75 B-2118S	P-75 B-29**P	P-76 B-2920P	P-76 B-3582S	P-77 B-5032-1Z	P-77 B-5050Z	P-78 B-5060Z	P-78 B-5070S
P-79 B-6101S	P-79 B-6102S	P-80 B-6103S	P-80 B-928Z	P-81 B-HGDTA	P-81 B-HGDTB	P-82 B-PHL	P-82 B-CL208	

### Equipment Magnetic Locks & Equipment Mortise Locks & Equipment Toggle Latches

P-83 C-101	P-83 C-102	P-84 C-LE131-150	P-84 C-LE131-2000	P-85 C-104	P-85 C-105-OFF	P-86 C-105-ON	P-86 C-106	P-87 C-56B
P-87 C-92CC	P-88 C-185P-B	P-88 C-91P	P-89 C-100-A-B	P-89 C-100-A	P-90 C-100-B	P-90 C-100-B	P-91 C-100-21	P-91 C-167S
P-92 C-158	P-92 C-20Z	P-93 C-90-Z	P-93 C-90-S	P-94 C-36S	P-94 C-1170-2S	P-95 C-1171-5S	P-95 C-1244-3S	P-96 C-1001S
P-96 C-1002S	P-97 C-1007S	P-97 C-1008S	P-98 C-1101S	P-98 C-1102S	P-99 C-1103S	P-99 C-1105S	P-100 C-1106S	P-100 C-1107S

P-101 C-1108S	P-101 C-1109S	P-102 C-1111S	P-102 C-1136-B	P-103 C-209-3B	P-103 C-209-13B	P-104 C-209-41B	P-104 P-2752P

### Equipment Knobs

P-105 P-1001S	P-105 P-1002S	P-106 P-1003S	P-106 P-1004S	P-107 P-1005S	P-107 P-1006S	P-108 P-1007S	P-108 P-1008S	P-109 P-1009S
P-109 P-1010S	P-110 P-1011S	P-110 P-1012S	P-111 P-1013S	P-111 P-1014S	P-112 P-2751W-A	P-112 P-2751W-B		

### Equipment Lock Sets

P-113 X-5402Z	P-113 X-5403-1-3WZ	P-114 X-5412Z	P-114 X-56*5Z	P-115 X-5705Z	P-115 X-5706Z	P-116 X-5111Z	P-116 X-5603	P-117 X-5304
P-117 X-5404Z	P-118 X-5462-1-1Z	P-118 X-5713	P-119 X-5717S-1	P-119 X-5730S-1	P-120 X-5818	P-120 X-5818S-2	P-121 X-5821S	P-121 X-5834S
P-122 S-2911Z-A	P-122 S-2911Z-B							





# Equipment Casters

批量订单  
请电询交货日期

库存品

CAD 2D  
3D

# Equipment Casters

批量订单  
请电询交货日期

库存品

CAD 2D  
3D

K  
脚轮系列

G  
气弹簧系列

KC  
脚杯系列

A  
拉手系列

B  
合页系列

C  
磁吸/磁扣/磁扣系列

P  
旋钮系列

X  
锁具系列

- 材质: 冷轧板+尼龙
- 表面处理: 电泳黑色(可订制墨绿色)
- 特性: 外形独特, 装配方便。
- 用途: 工厂搬运、仓储物流、机械制造、餐饮设备、纺织行业、电子电器以及医疗设备等多种行业领域。

- Material: cold rolled plate + nylon
- Surface treatment: Electrophoresis black + black
- Features: Unique shape, easy to assemble.
- Application: Factory handling, warehousing logistics, machinery manufacturing, catering equipment, textile industry, electronic appliances and medical equipment and other industries.



MODEL NO.	WHEEL MATERIAL	WHEEL DIAMETER	WHEEL WIDTH	MOUNTING HEIGHT	ROTATION RADIUS	PLATE SIZE	MOUNTING HOLE SPACING	HOLE DIAMETER	BEARING	LOADING BEARING
K-101-25-1 FIXED PLATE MOUNT CASTER	NYLON (PA)	63/2.5"	50	96	/	108×92	83×60	14×11	CHROMIUM STEEL DOUBLE BEARING	500
K-101-30-1 FIXED PLATE MOUNT CASTER	NYLON (PA)	75/3"	50	108	/	108×92	83×60	14×11	CHROMIUM STEEL DOUBLE BEARING	600
K-101-25-2 MOVABLE PLATE MOUNT CASTER	NYLON (PA)	63/2.5"	50	96	57.5	107×82	83×60	14×11	CHROMIUM STEEL DOUBLE BEARING	550
K-101-30-2 MOVABLE PLATE MOUNT CASTER	NYLON (PA)	75/3"	50	108	66.5	107×82	83×60	14×11	CHROMIUM STEEL DOUBLE BEARING	600
K-101-25-3 MOVABLE PLATE MOUNT CASTER WITH BRAKE	NYLON (PA)	63/2.5"	50	96	100	107×82	83×60	14×11	CHROMIUM STEEL DOUBLE BEARING	550
K-101-30-3 MOVABLE PLATE MOUNT CASTER WITH BRAKE	NYLON (PA)	75/3"	50	108	109	107×82	83×60	14×11	CHROMIUM STEEL DOUBLE BEARING	600
K-102-25-1 FIXED PLATE MOUNT CASTER WITH ADJUSTABLE FEET	NYLON (PA)	63/2.5"	50	96	88	108×92	83×60	14×11	CHROMIUM STEEL DOUBLE BEARING	500
K-102-30-1 FIXED PLATE MOUNT CASTER WITH ADJUSTABLE FEET	NYLON (PA)	75/3"	50	108	88	108×92	83×60	14×11	CHROMIUM STEEL DOUBLE BEARING	600
K-102-25-2 ADJUSTABLE PLATE MOUNT CASTER WITH ADJUSTABLE FEET	NYLON (PA)	63/2.5"	50	96	95	107×82	83×60	14×11	CHROMIUM STEEL DOUBLE BEARING	550
K-102-30-2 ADJUSTABLE PLATE MOUNT CASTER WITH ADJUSTABLE FEET	NYLON (PA)	75/3"	50	108	98	107×82	83×60	14×11	CHROMIUM STEEL DOUBLE BEARING	600

- 材质: 冷轧板+聚氨酯
- 表面处理: 电泳黑色
- 特性: 外形独特、装配方便。
- 用途: 工厂搬运、仓储物流、机械制造、餐饮设备、纺织行业、电子电器以及医疗设备等多种行业领域。

- Material: cold rolled plate + polyurethane
- Finish: Electrophoretic black
- Features: Unique appearance, convenient assembly.
- Application: Factory handling, warehousing logistics, machinery manufacturing, catering equipment, textile industry, electronic appliances and medical equipment and other industries.



MODEL NO.	WHEEL MATERIAL	WHEEL DIAMETER	WHEEL WIDTH	MOUNTING HEIGHT	ROTATION RADIUS	PLATE SIZE	MOUNTING HOLE SPACING	HOLE DIAMETER	BEARING	LOADING BEARING
K-103-25-1 FIXED CASTER	PU	63/2.5"	32	95	/	95×65	74.5×45	12.1×8.6	CHROMIUM STEEL DOUBLE BEARING	80
K-103-30-1 FIXED CASTER	PU	75/3"	32	108	/	95×65	74.5×45	12.1×8.6	CHROMIUM STEEL DOUBLE BEARING	110
K-103-25-2 SWIVEL CASTER	PU	63/2.5"	32	95	67	95×66	74.5×45	12.1×8.6	CHROMIUM STEEL DOUBLE BEARING	80
K-103-30-2 SWIVEL CASTER	PU	75/3"	32	108	74.5	95×66	74.5×45	12.1×8.6	CHROMIUM STEEL DOUBLE BEARING	110
K-103-25-3 SWIVEL CASTER WITH BRAKE	PU	63/2.5"	32	95	113	95×66	74.5×45	12.1×8.6	CHROMIUM STEEL DOUBLE BEARING	80
K-103-30-3 SWIVEL CASTER WITH BRAKE	PU	75/3"	32	108	115	95×66	74.5×45	12.1×8.6	CHROMIUM STEEL DOUBLE BEARING	110

K  
脚轮系列

G  
气弹簧系列

KC  
脚杯系列

A  
拉手系列

B  
合页系列

C  
磁吸/磁扣/磁扣系列

P  
旋钮系列

X  
锁具系列

# Equipment Casters

批量订单  
请电询交货日期

库存品

CAD 2D  
3D

# Equipment Casters

批量订单  
请电询交货日期

库存品

CAD 2D  
3D

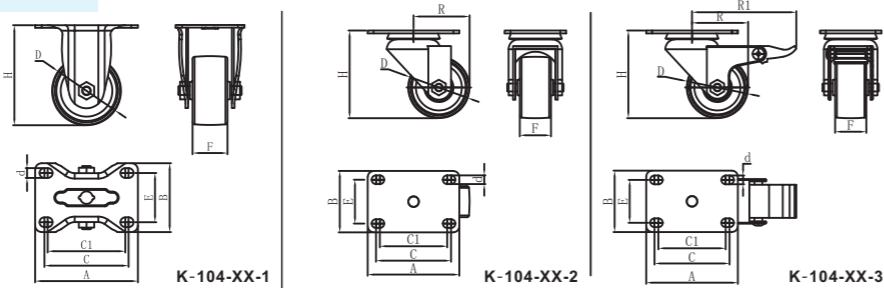


- K 脚轮系列
- G 气弹簧系列
- KC 脚杯系列
- A 拉手系列
- B 合页系列
- C 磁吸/磁钉/磁扣系列
- P 旋钮系列
- X 锁具系列



- 名称: 轻载型脚轮
- 材质: Q235A+聚丙烯
- 表面处理: 镀蓝白锌+白色
- 特性: 外形独特, 装配方便
- 用途: 工厂搬运、仓储物流、机械制造、餐饮设备、纺织行业、电子电器以及医疗设备等多种行业领域

- Material: Q235A+ polypropylene
- Surface treatment: blue and white zinc + white
- Features: Unique appearance, convenient assembly
- Uses: factory handling, warehousing logistics, machinery manufacturing, catering equipment, textile industry, electronic appliances and medical equipment and other industries



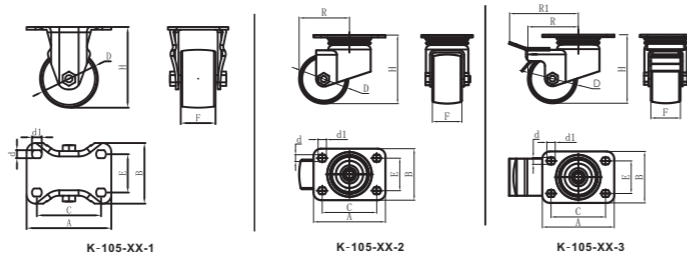
MODEL NO.	D	H	F	A	B	C	C1	E	D	ALLOWABLE LOAD CAPACITY (KG)
K-104-25-1	63	95	32	94	63	77	69	44	9	80
K-104-30-1	75	106	32	94	63	77	69	44	9	100
K-104-40-1	100	131	32	94	63	77	69	44	9	120
K-104-50-1	125	155	32	94	63	77	69	44	9	130

MODEL NO.	D	H	F	A	B	C	C1	E	D	R	R1	ALLOWABLE LOAD CAPACITY (KG)
K-104-25-2	63	95	32	94	63	77	69	44	9	87.5	/	80
K-104-30-2	75	106	32	94	63	77	69	44	9	63.5	/	100
K-104-40-2	100	131	32	94	63	77	69	44	9	76	/	120
K-104-50-2	125	155	32	94	63	77	69	44	9	88.5	/	130
K-104-25-3	63	95	32	94	63	77	69	44	9	87.5	107	80
K-104-30-3	75	106	32	94	63	77	69	44	9	63.5	107	100
K-104-40-3	100	131	32	94	63	77	69	44	9	76	107	120
K-104-50-3	125	155	32	94	63	77	69	44	9	88.5	107	130



- 名称: 轻载型脚轮
- 材质: Q235A+聚丙烯
- 表面处理: 电泳黑色+黑色
- 特性: 外形独特, 装配方便
- 用途: 工厂搬运、仓储物流、机械制造、餐饮设备、纺织行业、电子电器以及医疗设备等多种行业领域

- Material: Q235A+ polypropylene
- Finish: Electrophoretic black + black
- Features: Unique appearance, convenient assembly
- Uses: factory handling, warehousing logistics, machinery manufacturing, catering equipment, textile industry, electronic appliances and medical equipment and other industries



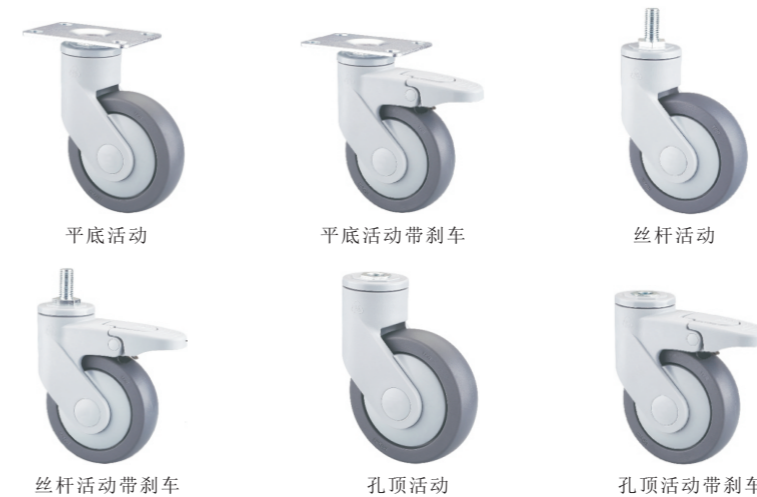
MODEL NO.	D	H	F	A	B	C	E	D	D1	ALLOWABLE LOAD CAPACITY (KG)
K-105-25-1	65	90.5	39	95	68	72	43	9	11	180
K-105-30-2	75	105	45	105	80	82.5	60	9	11	220
K-105-25-3	65	90.5	39	95	68	72	43	9	11	180
K-105-30-3	75	105	45	105	80	82.5	60	9	11	220

MODEL NO.	D	H	F	A	B	C	E	D	D1	R	R1	ALLOWABLE LOAD CAPACITY (KG)
K-105-25-2	65	90.5	39	95	68	72	43	9	11	66.5	/	180
K-105-30-2	75	105	45	105	80	82.5	60	9	11	62.5	/	220
K-105-25-3	65	90.5	39	95	68	72	43	9	11	66.5	91.5	180
K-105-30-3	75	105	45	105	80	82.5	60	9	11	62.5	89.5	220

- K 脚轮系列
- G 气弹簧系列
- KC 脚杯系列
- A 拉手系列
- B 合页系列
- C 磁吸/磁钉/磁扣系列
- P 旋钮系列
- X 锁具系列

- 材质: 轮子TPR
- 表面处理: 灰+灰黑
- 特性: 外形独特, 装配方便。
- 用途: 工厂搬运、仓储物流、机械制造、餐饮设备、纺织行业、电子电器以及医疗设备等多种行业领域。

- Material: TPR
- Surface treatment: Gray + gray black
- Features: Unique appearance, convenient assembly.
- Application: Factory handling, warehousing logistics, machinery manufacturing, catering equipment, textile industry, electronic appliances and medical equipment and other industries.



MODEL NO.	WHEEL MATERIAL	WHEEL DIAMETER	SINGLE WHEEL WIDTH	TOTAL WHEEL WIDTH	MOUNTING HEIGHT	ROTATION RADIUS	PLATE SIZE	MOUNTING HOLE SPACING	HOLE DIAMETER	BEARING	LOADING BEARING
K-201-30-1 MOVABLE PLATE MOUNT CASTER	TPR	75.3"	26	45	112.3	64.5	70*58	54.5*40.5	12*8.5	6001	60
K-201-40-1 MOVABLE PLATE MOUNT CASTER	TPR	100.4"	28	53	143	85	94.8*64	74.5*45	12*8.5	6202	90
K-201-50-1 MOVABLE PLATE MOUNT CASTER	TPR	125.5"	32	55	171.5	102	94.8*64	74.5*45	12*8.5	6202	110
K-201-30-2 MOVABLE PLATE MOUNT CASTER WITH BRAKE	TPR	75.3"	26	45	112.3	85.7	70*58	54.5*40.5	12*8.5	6101	60
K-201-40-2 MOVABLE PLATE MOUNT CASTER WITH BRAKE	TPR	100.4"	28	53	143	109	94.8*64	74.5*45	12*8.5	6202	90
K-201-50-2 MOVABLE PLATE MOUNT CASTER WITH BRAKE	TPR	125.5"	32	55	171.5	117	94.8*64	74.5*45	12*8.5	6202	110
K-202-30-1 MOVABLE STEM MOUNT CASTER	TPR	75.3"	26	45	107	64.5	/	M12*25	/	6001	60
K-202-40-1 MOVABLE STEM MOUNT CASTER	TPR	100.4"	28	53	139	85	/	M12*25	/	6202	90
K-202-50-1 MOVABLE STEM MOUNT CASTER	TPR	125.5"	32	55	164	102	/	M12*25	/	6202	110
K-202-30-2 MOVABLE STEM MOUNT CASTER WITH BRAKE	TPR	75.3"	26	45	107	85.7	/	M12*25	/	6001	60
K-202-40-2 MOVABLE STEM MOUNT CASTER WITH BRAKE	TPR	100.4"	28	53	139	109	/	M12*25	/	6202	90
K-202-50-2 MOVABLE STEM MOUNT CASTER WITH BRAKE	TPR	125.5"	32	55	164	117	/	M12*25	/	6202	110
K-203-30-1 MOVABLE HOLE TOP CASTER	TPR	75.3"	26	45	104.5	64.5	/	/	10.2	6001	60
K-203-40-1 MOVABLE HOLE TOP CASTER	TPR	100.4"	28	53	135.5	85	/	/	12.1	6202	90
K-203-50-1 MOVABLE HOLE TOP CASTER	TPR	125.5"	32	55	164	102	/	/	12.5	6202	110
K-203-30-2 MOVABLE HOLE TOP CASTER WITH BRAKE	TPR	75.3"	26	45	104.5	85.7	/	/	10.2	6001	60
K-203-40-2 MOVABLE HOLE TOP CASTER WITH BRAKE	TPR	100.4"	28	53	135.5	109	/	/	12.1	6202	90
K-203-50-2 MOVABLE HOLE TOP CASTER WITH BRAKE	TPR	125.5"	32	55	164	117	/	/	12.5	6202	110



K  
脚轮系列

G  
气弹簧系列

KC  
脚杯系列

A  
拉手系列

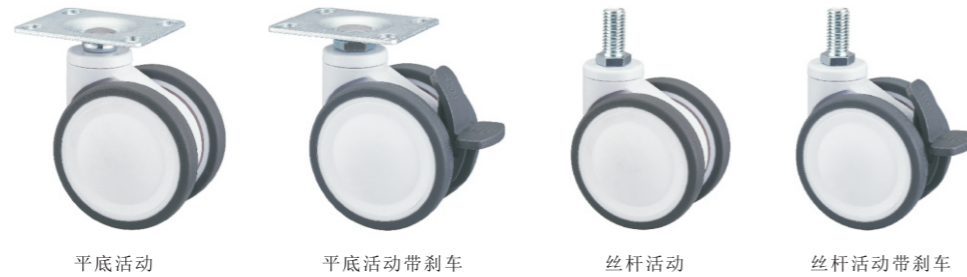
B  
合页系列

C  
电磁锁/推扣系列

P  
旋钮系列

X  
锁具系列

- 材质: TPR
- 表面处理: 灰+灰黑
- 特性: 外形独特, 装配方便。
- 用途: 工厂搬运、仓储物流、机械制造、餐饮设备、纺织行业、电子电器以及医疗设备等多种行业领域。
- Material: TPR
- Surface treatment: Gray + gray black
- Features: Unique shape, easy to assemble.
- Application: Factory handling, warehousing logistics, machinery manufacturing, catering equipment, textile industry, electronic appliances and medical equipment and other industries.



MODEL NO.	WHEEL MATERIAL	WHEEL DIAMETER	SINGLE WHEEL WIDTH	TOTAL WHEEL WIDTH	MOUNTING HEIGHT	ROTATION RADIUS	PLATE SIZE	MOUNTING HOLE SPACING	HOLE DIAMETER	BEARING	LOADING BEARING
K-204-25-1 MOVABLE PLATE MOUNT CASTER	TPR	63/2.5"	11.5	55	84	56	60×49	45.5×32.5	9×6.5	608×2	50
K-204-30-1 MOVABLE PLATE MOUNT CASTER	TPR	75/3"	13	57	97	60.5	70×58	54.5×40.5	12×8.5	608×2	60
K-204-40-1 MOVABLE PLATE MOUNT CASTER	TPR	100/4"	15	71	127.5	86	90×75	65×52.5	12×8.5	6000×2	80
K-204-25-2 MOVABLE PLATE MOUNT CASTER WITH BRAKE	TPR	63/2.5"	11.5	55	84	69	60×49	45.5×32.5	9×6.5	608×2	50
K-204-30-2 MOVABLE PLATE MOUNT CASTER WITH BRAKE	TPR	75/3"	13	57	97	80	70×58	54.5×40.5	14×8.5	608×2	60
K-204-40-2 MOVABLE PLATE MOUNT CASTER WITH BRAKE	TPR	100/4"	15	71	127.5	102	90×75	65×52.5	14×8.5	6000×2	80
K-205-25-1 MOVABLE STEM MOUNT CASTER	TPR	63/2.5"	11.5	55	78.6	56	/	M10×20	/	608×2	50
K-205-30-1 MOVABLE STEM MOUNT CASTER	TPR	75/3"	13	57	90	60.5	/	M12×25	/	608×2	60
K-205-40-1 MOVABLE STEM MOUNT CASTER	TPR	100/4"	15	71	121	86	/	M12×25	/	6000×2	80
K-205-25-2 MOVABLE STEM MOUNT CASTER WITH BRAKE	TPR	63/2.5"	11.5	55	78.6	69	/	M10×20	/	608×2	50
K-205-30-2 MOVABLE STEM MOUNT CASTER WITH BRAKE	TPR	75/3"	13	57	90	80	/	M12×25	/	608×2	60
K-205-40-2 MOVABLE STEM MOUNT CASTER WITH BRAKE	TPR	100/4"	15	71	121	102	/	M12×25	/	6000×2	80

K  
脚轮系列

G  
气弹簧系列

KC  
脚杯系列

A  
拉手系列

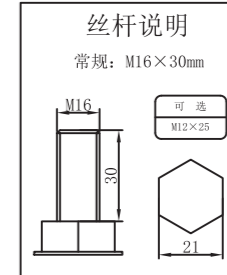
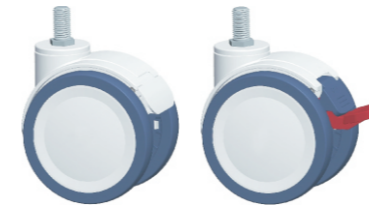
B  
合页系列

C  
电磁锁/推扣系列

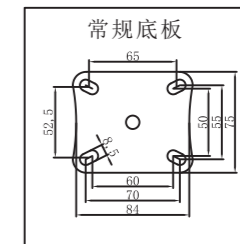
P  
旋钮系列

X  
锁具系列

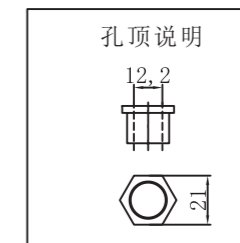
- 产品特点: 1. 支架为高强度工程PA材料制成, 支架转动结构配置了单轴承和双轴承两种设计, 以满足客户的不同需求。
- 2. 采用人性化双踏板刹车与解刹设计, 刹车与解刹轻松省力。
- 3. 全包式的防缠绕设计, 能有效抵挡头发、线物等缠绕, 具有优良的防缠、腐蚀性能。
- 4. 轮芯配置精密轴承、轮面采用静音TPR, 让您在移动设备过程中体验到轻松省力、灵活、静音。
- 用途: 呼吸机、超声设备、麻醉机、医疗推车等高端精密医疗设备等多种行业领域。



- 产品特点: 1. 支架为高强度工程PA材料制成, 支架转动结构配置了单轴承和双轴承两种设计, 以满足客户的不同需求。
- 2. 采用人性化双踏板刹车与解刹设计, 刹车与解刹轻松省力。
- 3. 全包式的防缠绕设计, 能有效抵挡头发、线物等缠绕, 具有优良的防缠、腐蚀性能。
- 4. 轮芯配置精密轴承、轮面采用静音TPR, 让您在移动设备过程中体验到轻松省力、灵活、静音。
- 用途: 呼吸机、超声设备、麻醉机、医疗推车等高端精密医疗设备等多种行业领域。



- 产品特点: 1. 支架为高强度工程PA材料制成, 支架转动结构配置了单轴承和双轴承两种设计, 以满足客户的不同需求。
- 2. 采用人性化双踏板刹车与解刹设计, 刹车与解刹轻松省力。
- 3. 全包式的防缠绕设计, 能有效抵挡头发、线物等缠绕, 具有优良的防缠、腐蚀性能。
- 4. 轮芯配置精密轴承、轮面采用静音TPR, 让您在移动设备过程中体验到轻松省力、灵活、静音。
- 用途: 呼吸机、超声设备、麻醉机、医疗推车等高端精密医疗设备等多种行业领域。





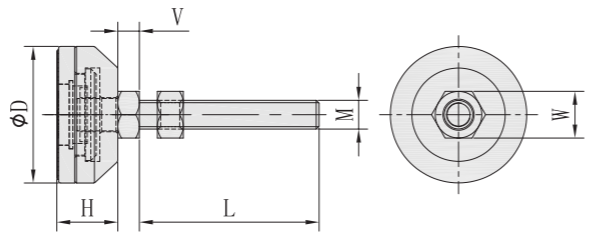
- K 脚轮系列
- G 气弹簧系列
- KC 脚杯系列**
- A 拉手系列
- B 合页系列
- C 电磁锁/搭扣系列
- P 旋钮系列
- X 锁具系列



订购型号 **KC-2206S**

MODEL NO.	D±2	H±1	L±2	M (UNC)	V	LOAD (KGF)
KC-2206S-40-8-50	40	17	50	8	6	350
KC-2206S-40-8-75	40	17	75	8	6	350
KC-2206S-40-12-75	40	17	75	12	8	500
KC-2206S-40-12-100	40	17	100	12	8	500
KC-2206S-50-8-50	50	22	50	8	6	350
KC-2206S-50-8-75	50	22	75	8	6	350
KC-2206S-50-10-50	50	22	50	10	7	350
KC-2206S-50-10-75	50	22	75	10	7	350
KC-2206S-50-12-75	50	22	75	12	8	500
KC-2206S-50-12-100	50	22	100	12	8	500
KC-2206S-60-12-75	60	24	75	12	8	650
KC-2206S-60-12-100	60	24	100	12	8	650
KC-2206S-60-16-75	60	24	75	16	10	750
KC-2206S-60-16-100	60	24	100	16	10	750
KC-2206S-60-16-150	60	24	150	16	10	750
KC-2206S-80-16-100	80	27	100	16	10	850
KC-2206S-80-16-150	80	27	150	16	10	850
KC-2206S-80-20-100	80	27	100	20	13	950
KC-2206S-80-20-150	80	27	150	20	13	950
KC-2206S-100-16-100	100	32	100	16	10	850
KC-2206S-100-16-150	100	32	150	16	10	850
KC-2206S-100-20-100	100	32	100	20	13	950
KC-2206S-100-20-150	100	32	150	20	13	950
KC-2206S-100-24-100	100	32	100	24	16	1000
KC-2206S-100-24-150	100	32	150	24	16	1000

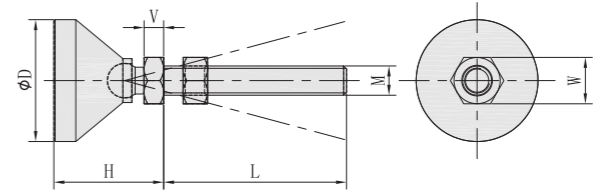
- 材质: SUS304+丁腈橡胶
- 表面处理: 本色
- 特性: 耐载荷、冲击性能优良, 坚固灵活,
- 用途: 工业自动化设备、航空、高铁、医疗、通信设备、电柜箱体及其它设备
- Material: SUS304+ butadiene rubber
- Surface treatment: natural color
- Features: Good load resistance, impact performance, strong and flexible,
- Applications: industrial automation equipment, aviation, high-speed rail, medical, communication equipment, electrical cabinet and other equipment



订购型号 **KC-2241S**

MODEL NO.	D±2	H±2	L±2	M (UNC)	V	W	LOAD (KGF)
KC-2241S-50-12-75	50	45	75	12	8	19	300
KC-2241S-50-12-100	50	45	100	12	8	19	300
KC-2241S-50-16-100	50	45	100	16	10	24	400
KC-2241S-50-16-150	50	45	150	16	10	24	400
KC-2241S-60-16-100	60	50	100	16	10	24	500
KC-2241S-60-16-150	60	50	150	16	10	24	500
KC-2241S-75-16-100	75	55	100	16	10	24	1000
KC-2241S-75-16-150	75	55	150	16	10	24	1000
KC-2241S-75-20-100	75	55	100	20	13	30	1500
KC-2241S-75-20-150	75	55	150	20	13	30	1500

- 材质: SUS304
- 表面处理: 本色
- 特性: 适合经常性移动的装备摆动角度不影响承载量。
- 用途: 工业自动化设备、航空、高铁、医疗、通信设备、电柜箱体及其它设备
- Material: SUS304
- Surface treatment: natural color
- Characteristics: Suitable for frequently moving equipment swing AngleIt does not affect the carrying capacity.
- Applications: industrial automation equipment, aviation, high-speed rail, medical, communication equipment, electrical cabinet and other equipment



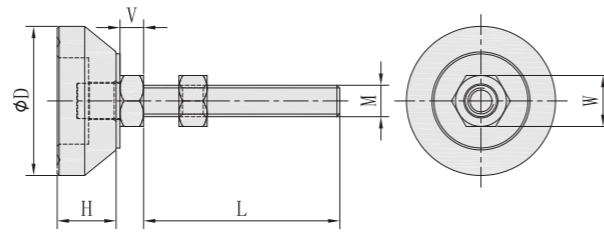
- K 脚轮系列
- G 气弹簧系列
- KC 脚杯系列**
- A 拉手系列
- B 合页系列
- C 电磁锁/搭扣系列
- P 旋钮系列
- X 锁具系列



订购型号 **KC-2236S**

MODEL NO.	D±2	H±1	L±2	M (UNC)	V	W	LOAD (KGF)
KC-2236S-40-8-50	40	15	50	8	6	13	400
KC-2236S-40-8-75	40	15	75	8	6	13	400
KC-2236S-40-12-75	40	15	75	12	8	19	500
KC-2236S-40-12-100	40	15	100	12	8	19	500
KC-2236S-40-12-150	40	15	150	12	8	19	500
KC-2236S-60-12-75	60	18	75	12	8	19	800
KC-2236S-60-12-100	60	18	100	12	8	19	800
KC-2236S-60-16-75	60	18	75	16	10	24	1000
KC-2236S-60-16-100	60	18	100	16	10	24	1000
KC-2236S-60-16-150	60	18	150	16	10	24	1000
KC-2236S-80-20-100	80	18	100	20	13	30	1500
KC-2236S-80-20-150	80	18	150	20	13	30	1500
KC-2236S-80-16-100	80	23	100	16	10	24	1400
KC-2236S-80-16-150	80	23	150	16	10	24	1400
KC-2236S-80-20-100	80	23	100	20	13	30	1800
KC-2236S-80-20-150	80	23	150	20	13	30	1800
KC-2236S-100-16-100	100	26	100	16	10	24	1800
KC-2236S-100-16-150	100	26	150	16	10	24	1800
KC-2236S-100-20-100	100	26	100	20	13	30	2500
KC-2236S-100-20-150	100	26	150	20	13	30	2500
KC-2236S-100-24-100	100	26	100	24	16	36	2600
KC-2236S-100-24-150	100	26	150	24	16	36	2600

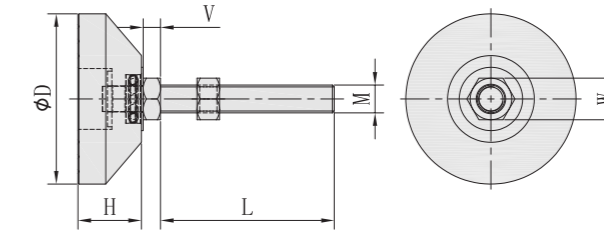
- 材质: SUS304
- 表面处理: 本色
- 特性: 耐载荷、冲击性能优良, 坚固灵活,
- 用途: 工业自动化设备、航空、高铁、医疗、通信设备、电柜箱体及其它设备
- Material: SUS304
- Surface treatment: natural color
- Features: Good load resistance, impact performance, strong and flexible,
- Applications: industrial automation equipment, aviation, high-speed rail, medical, communication equipment, electrical cabinet and other equipment



订购型号 **KC-2251S**

MODEL NO.	D±2	L±2	H±2	M (UNC)	V	W	LOAD (KGF)
KC-2251S-60-16-100	60	100	28	16	10	24	1500
KC-2251S-60-16-150	60	150	28	16	10	24	1500
KC-2251S-80-16-100	80	100	36.5	16	10	24	1500
KC-2251S-80-16-150	80	150	36.5	16	10	24	1500
KC-2251S-80-20-100	80	100	36.5	16	13	30	1500
KC-2251S-80-20-150	80	150	36.5	16	13	30	1500
KC-2251S-100-16-100	100	100	36.5	16	10	24	1500
KC-2251S-100-16-150	100	150	36.5	16	10	24	1500
KC-2251S-100-20-100	100	100	36.5	20	13	30	2000
KC-2251S-100-20-150	100	150	36.5	20	13	30	2000
KC-2251S-100-24-100	100	100	36.5	24	16	36	3500
KC-2251S-100-24-150	100	150	36.5	24	16	36	3500

- 材质: SUS304
- 表面处理: 本色
- 特性: 耐载荷、冲击性能优良, 坚固灵活,
- 用途: 工业自动化设备、航空、高铁、医疗、通信设备、电柜箱体及其它设备
- Material: SUS304
- Surface treatment: natural color
- Features: Good load resistance, impact performance, strong and flexible,
- Applications: industrial automation equipment, aviation, high-speed rail, medical, communication equipment, electrical cabinet and other equipment





K 脚轮系列

G 气弹簧系列

**KC 脚杯系列**

A 拉手系列

B 合页系列

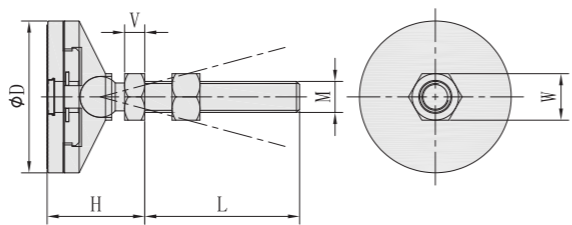
C 磁吸/磁扣/磁扣系列

P 旋钮系列

X 锁具系列



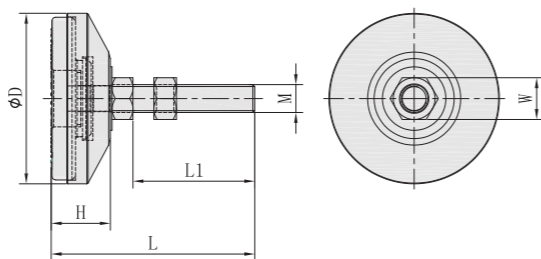
- 材质: 不锈钢+丁腈橡胶
- 表面处理: 本色
- 特性: 适合经常性移动的装备摆动角度不影响承载量。
- 用途: 工业自动化设备、航空、高铁、医疗、通信设备、电柜箱体及其它设备
- Material: Stainless steel + Butadiene rubber
- Surface treatment: natural color
- Characteristics: good load resistance, impact performance, firm and flexible,
- Applications: industrial automation equipment, aviation, high-speed rail, medical, communication equipment, electrical cabinet and other equipment



MODEL NO.	D±2	L±2	H±2	M (UNC)	V	W	LOAD (KGF)
KC-2271S-100-20-100	100	100	62	20	13	30	2000
KC-2271S-100-20-150	100	150	62	20	13	30	2000
KC-2271S-100-24-100	100	100	62	24	16	36	4000
KC-2271S-100-24-150	100	150	62	24	16	36	4000



- 材质: 不锈钢+丁腈橡胶
- 表面处理: 本色
- 特性: 耐载荷、冲击性能优良, 坚固灵活,
- 用途: 工业自动化设备、航空、高铁、医疗、通信设备、电柜箱体及其它设备
- Material: stainless steel + butadiene rubber
- Surface treatment: natural color
- Characteristics: good load resistance, impact performance, firm and flexible,
- Applications: industrial automation equipment, aviation, high-speed rail, medical, communication equipment, electrical cabinet and other equipment

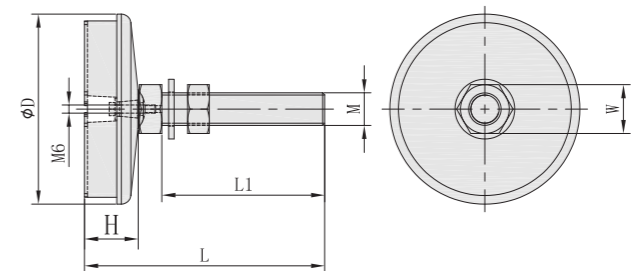


MODEL NO.	D±2	M	A	L±3	W	VERTICAL LOAD (KGF)
KC-2276S-98-16-70	98	16	70	117	24	2000
KC-2276S-98-16-100	98	16	100	147	24	2000
KC-2276S-98-16-150	98	16	150	197	24	2000
KC-2276S-98-20-100	98	20	100	149	30	2000
KC-2276S-98-20-150	98	20	150	199	30	2000
KC-2276S-98-24-100	98	24	100	152	36	3000
KC-2276S-98-24-150	98	24	150	202	36	3000

EXAMPLE: NAME+BASE OUTER DIAMETER+THREAD+THREAD LENGTH → KC-2276S-98-16-70



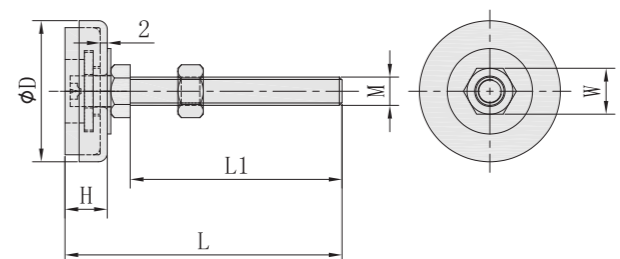
- 材质: 不锈钢+丁腈橡胶
- 表面处理: 本色
- 特性: 耐载荷、冲击性能优良, 坚固灵活,
- 用途: 工业自动化设备、航空、高铁、医疗、通信设备、电柜箱体及其它设备
- Material: stainless steel + butadiene rubber
- Surface treatment: natural color
- Characteristics: good load resistance, impact performance, firm and flexible,
- Applications: industrial automation equipment, aviation, high-speed rail, medical, communication equipment, electrical cabinet and other equipment



MODEL NO.	D±2	L±3	L1±2	H±1	M (UNC)	W	LOAD (KGF)
KC-300S-140-24-120	140	177	120	40	M24	36	3000



- 材质: 碳钢+氯丁橡胶
- 表面处理: 电泳黑色
- 特性: 耐载荷、冲击性能优良, 坚固灵活,
- 用途: 工业自动化设备、航空、高铁、医疗、通信设备、电柜箱体及其它设备
- Material: Carbon steel + neoprene
- Surface treatment: Electrophoresis black
- Characteristics: good load resistance, impact performance, firm and flexible,
- Applications: industrial automation equipment, aviation, high-speed rail, medical, communication equipment, electrical cabinet and other equipment



MODEL NO.	M-A	L	phi D	L1	W	VERTICAL LOAD (KGF)
KC-280M-20-130	20-130	160	60	16	30	800
KC-280M-20-100	20-100	130	60	16	30	800
KC-280M-16-100	16-100	127	60	16	24	600
KC-280M-16-70	16-70	97	60	16	24	600
KC-280M-12-100	12-100	124	50	15	19	500
KC-280M-12-70	12-70	94	50	15	19	500
KC-280M-10-75	10-75	95	40	12	17	300
KC-280M-10-50	10-50	70	40	12	17	300
KC-280M-8-60	8-60	78.5	40	12	13	200
KC-280M-10-20-130	20-130	166	100	26	30	1000



K  
脚轮系列

G  
气弹簧系列

KC  
脚杯系列

A  
拉手系列

B  
合页系列

C  
电磁锁/搭扣系列

P  
旋钮系列

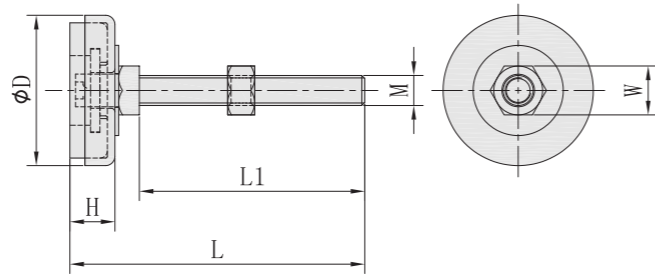
X  
锁具系列



订购型号 KC-1280S

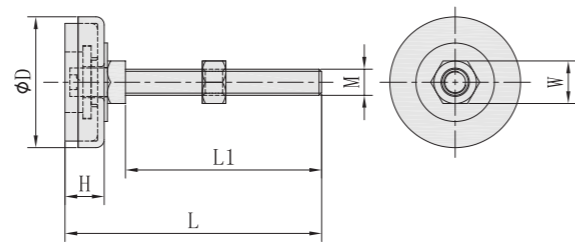
- 材质: 不锈钢+氯丁橡胶 (黑色)
- 表面处理: 本色
- 特性: 耐载荷、冲击性能优良, 坚固灵活
- 用途: 工业自动化设备、航空、高铁、医疗、通信设备、电柜箱体及其它设备
- Material: Stainless steel + neoprene
- Surface treatment: natural color
- Features: Load resistance, good impact performance, strong and flexible
- Uses: industrial automation equipment, aviation, high-speed rail, medical, communication equipment, electrical cabinet and other equipment

MODEL NO.	D±2	L±3	L1±2	H±1	M (UNC)	W	LOAD (KGF)
KC-1280S-20-130	60	160	130	16	20	30	800
KC-1280S-20-100	60	130	100	16	20	30	800
KC-1280S-16-100	60	127	100	16	16	24	600
KC-1280S-16-70	60	97	70	16	16	24	600
KC-1280S-12-100	50	124	100	15	12	19	500
KC-1280S-12-70	50	94	70	15	12	19	500
KC-1280S-10-75	40	95	75	12	10	17	300
KC-1280S-10-50	40	70	50	12	10	17	300
KC-1280S-8-60	40	78.5	60	12	8	13	200



订购型号 KC-2280S

- 材质: 不锈钢+导电性橡胶(黑色)
- 表面处理: 本色
- 特性: 耐载荷、冲击性能优良, 坚固灵活
- 用途: 工业自动化设备、航空、高铁、医疗、通信设备、电柜箱体及其它设备
- Material: stainless steel (S)/ carbon steel (M)
- Surface finish: natural color/galvanized
- Characteristics: good load resistance, impact performance, firm and flexible,
- Applications: industrial automation equipment, aviation, high-speed rail, medical, communication equipment, electrical cabinet and other equipment



K  
脚轮系列

G  
气弹簧系列

KC  
脚杯系列

A  
拉手系列

B  
合页系列

C  
电磁锁/搭扣系列

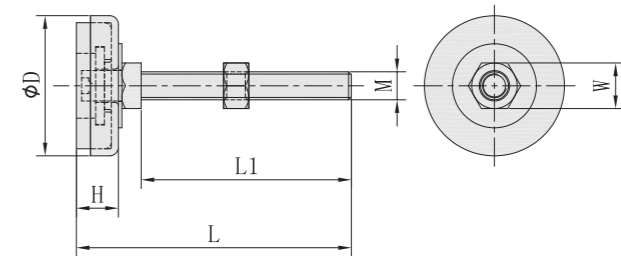
P  
旋钮系列

X  
锁具系列



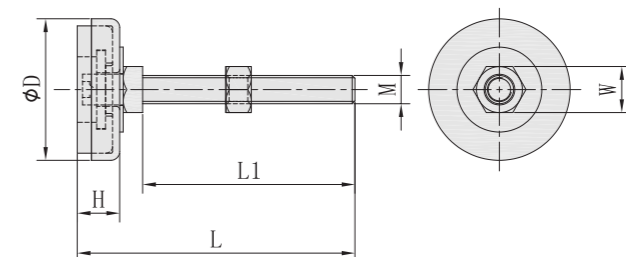
订购型号 KC-3280S

- 材质: 不锈钢+蓝色合成橡胶
- 表面处理: 本色
- 特性: 耐腐蚀性优异, 外形独特, 装配方便。
- 用途: 工业自动化设备、航空、高铁、医疗、通信设备、电柜箱体及其它设备
- Material: Stainless steel (S)
- Surface treatment: Natural
- Characteristics: excellent corrosion resistance, unique shape and fittingWith convenient.
- Applications: industrial automation equipment, aviation, high-speed rail, medical, communication equipment, electrical cabinet and other equipment



订购型号 KC-4280S

- 材质: 不锈钢+非迁移性氯丁橡胶(灰色)
- 表面处理: 本色
- 特性: 耐载荷、冲击性能优良, 坚固灵活
- 用途: 工业自动化设备、航空、高铁、医疗、通信设备、电柜箱体及其它设备
- Material: stainless steel (S)/ carbon steel (M)
- Surface finish: natural color/galvanized
- Characteristics: good load resistance, impact performance, firm and flexible,
- Applications: industrial automation equipment, aviation, high-speed rail, medical, communication equipment, electrical cabinet and other equipment



K  
脚轮系列

G  
气弹簧系列

KC  
脚杯系列

A  
拉手系列

B  
合页系列

C  
电磁锁/搭扣系列

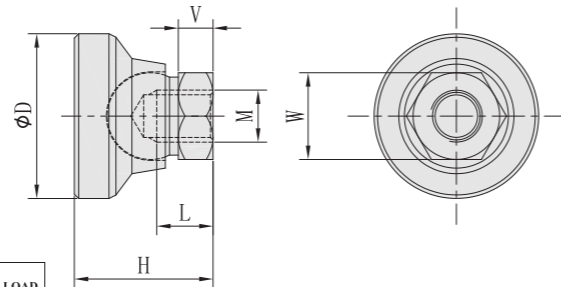
P  
旋钮系列

X  
锁具系列



订购型号 KC-210

- 材质: 不锈钢(S) /碳钢(M)
- 表面处理: 本色/镀锌
- 特性: 耐载荷、冲击性能优良, 坚固灵活,
- 用途: 工业自动化设备、航空、高铁、医疗、通信设备、电柜箱体及其它设备
- Material: stainless steel (S)/ carbon steel (M)
- Surface finish: natural color/galvanized
- Characteristics: good load resistance, impact performance, firm and flexible,
- Applications: industrial automation equipment, aviation, high-speed rail, medical, communication equipment, electrical cabinet and other equipment

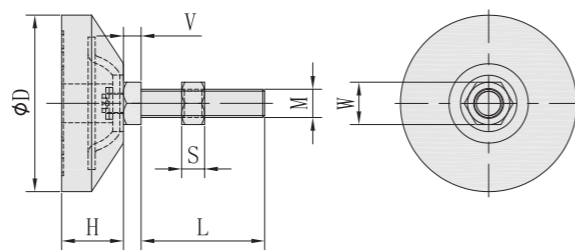


MODEL NO.		D±2	H±2	L±0.5	M (UNC)	V	W	LOAD (KGF)
CARBON STEEL (SURFACE GALVANIZED)	STAINLESS STEEL							
KC-210M-19-M6	KC-210S-19-M6	19	16	6.5	6	4	10	60
KC-210M-25-M8	KC-210S-25-M8	25	21	10	8	8	13	120
KC-210M-32-M10	KC-210S-32-M10	32	25	12	10	10	17	160
KC-210M-48-M12	KC-210S-48-M12	48	31	15	12	10	19	300
KC-210M-64-M16	KC-210S-64-M16	64	34	15	16	10	24	400



订购型号 KC-1250M

- 材质: 碳钢+丁腈橡胶
- 表面处理: 镀锌
- 特性: 耐载荷、冲击性能优良, 坚固灵活,
- 用途: 工业自动化设备、航空、高铁、医疗、通信设备、电柜箱体及其它设备
- Material: carbon steel + butadiene rubber
- Surface treatment: galvanized
- Characteristics: good load resistance, impact performance, firm and flexible,
- Applications: industrial automation equipment, aviation, high-speed rail, medical, communication equipment, electrical cabinet and other equipment



MODEL NO.	D±2	L±2	H±2	M (UNC)	V	S	W	VERTICAL LOAD (KGF)
KC-1250M-60-12-70	60	70	25	12	8	10	19	350
KC-1250M-60-12-100	60	100	25	12	8	10	19	350
KC-1250M-60-16-70	60	70	25	16	10	13	24	500
KC-1250M-60-16-100	60	100	25	16	10	13	24	500
KC-1250M-60-20-100	60	100	25	20	13	16	30	750
KC-1250M-60-20-130	60	130	25	20	13	16	30	750
KC-1250M-70-16-70	70	70	29	16	10	13	24	500
KC-1250M-70-16-100	70	100	29	16	10	13	24	500
KC-1250M-70-20-100	70	100	29	20	13	16	30	750
KC-1250M-70-20-130	70	130	29	20	13	16	30	750
KC-1250M-90-16-70	90	70	32	16	10	13	24	500
KC-1250M-90-16-100	90	100	32	16	10	13	24	500
KC-1250M-90-20-100	90	100	32	20	13	16	30	750
KC-1250M-90-20-130	90	130	32	20	13	16	30	750
KC-1250M-100-16-70	100	70	35	16	10	13	24	500
KC-1250M-100-16-100	100	100	35	16	10	13	24	500
KC-1250M-100-20-100	100	100	35	20	13	16	30	750
KC-1250M-100-20-130	100	130	35	20	13	16	30	750

K  
脚轮系列

G  
气弹簧系列

KC  
脚杯系列

A  
拉手系列

B  
合页系列

C  
电磁锁/搭扣系列

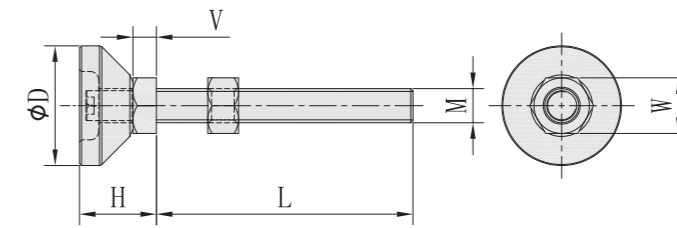
P  
旋钮系列

X  
锁具系列



订购型号 KC-1260M

- 材质: 碳钢
- 表面处理: 镀铬
- 特性: 适合经常性移动的装备摆动角度, 不影响承载量.
- 用途: 工业自动化设备、航空、高铁、医疗、通信设备、电柜箱体及其它设备
- Material: Carbon steel
- Surface treatment: chrome plating
- Characteristics: Suitable for the swinging Angle of the equipment which is constantly moving it does not affect the capacity.
- Applications: industrial automation equipment, aviation, high-speed rail, medical, communication equipment, electrical cabinet and other equipment

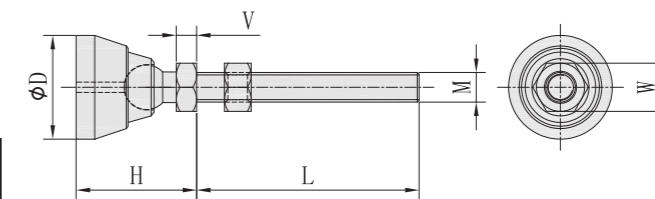


MODEL NO.	D±2	H±2	L±2	M (UNC)	V	W	LOAD (KGF)
KC-1260M-28-8-60	28	18	60	8	5.5	13	650
KC-1260M-38-12-70	38	23	70	12	8	19	1300
KC-1260M-38-12-100	38	23	100	12	8	19	1300
KC-1260M-48-8-60	48	20.5	60	8	5.5	13	650
KC-1260M-48-12-70	48	23	70	12	8	19	1300
KC-1260M-48-12-100	48	23	100	12	8	19	1300
KC-1260M-58-8-60	58	20.5	60	8	5.5	13	650
KC-1260M-58-12-70	58	23	70	12	8	19	1300
KC-1260M-58-12-100	58	23	100	12	8	19	1300



订购型号 KC-1261M

- 材质: 碳钢
- 表面处理: 镀锌
- 特性: 适合经常性移动的装备摆动角度, 不影响承载量.
- 用途: 工业自动化设备、航空、高铁、医疗、通信设备、电柜箱体及其它设备
- Material: Carbon steel
- Surface treatment: galvanized
- Characteristics: Suitable for the swinging Angle of the equipment which is constantly moving it does not affect the capacity.
- Applications: industrial automation equipment, aviation, high-speed rail, medical, communication equipment, electrical cabinet and other equipment



MODEL NO.	D±2	H±2	L±2	M (UNC)	V	W	LOAD (KGF)
KC-1261M-28-8-60	28	32.5	60	8	5.5	13	650
KC-1261M-38-12-70	38	40	70	12	8	19	1300
KC-1261M-38-12-100	38	40	100	12	8	19	1300
KC-1261M-48-8-60	48	37.5	60	8	5.5	13	650
KC-1261M-48-12-70	48	40	70	12	8	19	1300
KC-1261M-48-12-100	48	40	100	12	8	19	1300
KC-1261M-58-8-60	58	37.5	60	8	5.5	13	650
KC-1261M-58-12-70	58	40	70	12	8	19	1300
KC-1261M-58-12-100	58	40	100	12	8	19	1300



K 脚轮系列

G 气弹簧系列

KC 脚杯系列

A 拉手系列

B 合页系列

C 磁吸/磁扣/磁扣系列

P 旋钮系列

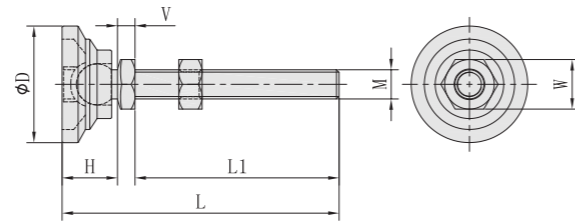
X 锁具系列



订购型号 KC-1262M

- 材质: 碳钢+POM
- 表面处理: 镀锌
- 特性: 适合经常性移动的装备摆动角度不影响承载量
- 用途: 工业自动化设备、航空、高铁、医疗、通信设备、电柜箱体及其它设备
- Material: Carbon steel+POM
- Surface treatment: galvanized
- Characteristics: Suitable for the swinging Angle of the equipment which is constantly moving! does not affect the capacity.
- Applications: industrial automation equipment, aviation, high-speed rail, medical, communication equipment, electrical cabinet and other equipment

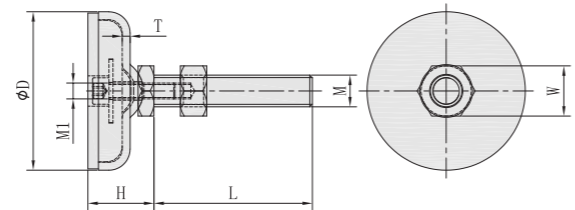
MODEL NO.	D±2	L±3	L1±2	H±2	M (UNC)	V	W	LOAD (KGF)
KC-1262M-40-10-70	40	95	70	19	10	6	17	250
KC-1262M-40-10-100	40	125	100	19	10	6	17	250
KC-1262M-40-12-70	40	98	70	20.5	12	7.5	19	250
KC-1262M-40-12-100	40	128	100	20.5	12	7.5	19	250
KC-1262M-40-16-100	40	130.5	100	20.5	16	10	24	250
KC-1262M-50-10-70	50	96	70	20	10	6	17	250
KC-1262M-50-10-100	50	126	100	20	10	6	17	250
KC-1262M-50-12-70	50	99	70	21.5	12	7.5	19	250
KC-1262M-50-12-100	50	129	100	21.5	12	7.5	19	250
KC-1262M-50-16-70	50	101.5	70	21.5	16	10	24	250
KC-1262M-50-16-100	50	131.5	100	21.5	16	10	24	250
KC-1262M-60-12-70	60	104	70	26.5	12	7.5	19	250
KC-1262M-60-12-100	60	134	100	26.5	12	7.5	19	250
KC-1262M-60-16-70	60	106.5	70	26.5	16	10	24	250
KC-1262M-60-16-100	60	136.5	100	26.5	16	10	24	250
KC-1262M-60-16-150	60	186.5	150	26.5	16	10	24	250
KC-1262M-60-20-100	60	139	100	26.5	20	12.5	30	550
KC-1262M-60-20-150	60	189	150	26.5	20	12.5	30	550



订购型号 KC-1265S

- 材质: 不锈钢+丁腈橡胶
- 表面处理: 本色
- 特性: 耐载荷、冲击性能优良, 坚固灵活,
- 用途: 工业自动化设备、航空、高铁、医疗、通信设备、电柜箱体及其它设备
- Material: stainless steel + butadiene rubber
- Surface treatment: natural color
- Characteristics: good load resistance, impact performance, firm and flexible,
- Applications: industrial automation equipment, aviation, high-speed rail, medical, communication equipment, electrical cabinet and other equipment

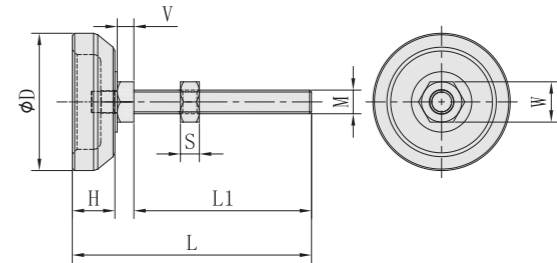
MODEL NO.	D±2	L±2	H±2	M (UNC)	M1 (UNC)	T	W	LOAD (KGF)
KC-1265S-60-12-60	60	60	25	12	6	3	19	1800
KC-1265S-60-12-100	60	100	25	12	6	3	19	1800
KC-1265S-80-12-60	80	60	27	12	6	3	19	1700
KC-1265S-80-12-100	80	100	27	12	6	3	19	1700
KC-1265S-80-16-70	80	70	29	16	6	3	24	2200
KC-1265S-80-16-100	80	100	29	16	6	3	24	2200
KC-1265S-80-20-100	80	100	31	20	6	3	30	2200
KC-1265S-80-20-150	80	150	31	20	6	3	30	2200
KC-1265S-80-24-100	80	100	34	24	6	3	36	2200
KC-1265S-80-24-150	80	150	34	24	6	3	36	2200
KC-1265S-100-16-70	100	70	31	16	6	3	24	1900
KC-1265S-100-16-100	100	100	31	16	6	3	24	1900
KC-1265S-100-20-100	100	100	33	20	6	3	30	1900
KC-1265S-100-20-150	100	150	33	20	6	3	30	1900
KC-1265S-100-24-100	100	100	36	24	6	3	36	1900
KC-1265S-100-24-150	100	150	36	24	6	3	36	1900
KC-1265S-120-16-70	120	70	34	16	6	3	24	1700
KC-1265S-120-16-100	120	100	34	16	6	3	24	1700
KC-1265S-120-20-100	120	100	36	20	6	3	30	1700
KC-1265S-120-20-150	120	150	36	20	6	3	30	1700
KC-1265S-120-24-100	120	100	39	24	6	3	36	1700
KC-1265S-120-24-150	120	150	39	24	6	3	36	1700



订购型号 KC-1270

- 材质: 不锈钢/碳钢
- 表面处理: 本色/镀锌
- 特性: 耐腐蚀性优异, 外形独特, 装配方便。
- 用途: 工业自动化设备、航空、高铁、医疗、通信设备、电柜箱体及其它设备
- Material: Stainless Steel/Carbon Steel
- Surface treatment: Natural/chrome plated
- Features: Excellent corrosion resistance, unique shape, easy assembly.
- Applications: industrial automation equipment, aviation, high-speed rail, medical, communication equipment, electrical cabinet and other equipment

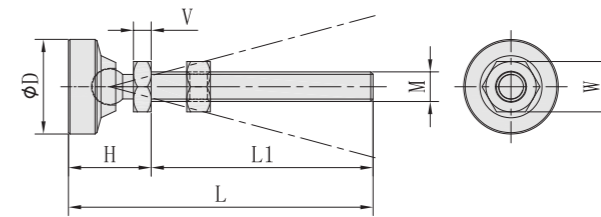
MATERIAL: CARBON STEEL CHROME FINISH	MATERIAL: STAINLESS STEEL	D±2	L±3	L1±2	H±1	M (UNC)	V	S	W	LOAD (KGF)
KC-1270M-58-10-75	KC-1270S-58-10-75	58	100	75	18	10	7	8	17	1000
KC-1270M-58-10-100	KC-1270S-58-10-100	58	125	100	18	10	7	8	17	1000
KC-1270M-58-12-70	KC-1270S-58-12-70	58	96	70	18	12	8	10	19	1300
KC-1270M-58-12-100	KC-1270S-58-12-100	58	126	100	18	12	8	10	19	1300
KC-1270M-58-16-70	KC-1270S-58-16-70	58	98	70	18	16	10	13	24	1600
KC-1270M-58-16-100	KC-1270S-58-16-100	58	128	100	18	16	10	13	24	1600
KC-1270M-58-20-100	KC-1270S-58-20-100	58	131	100	18	20	13	16	30	3000
KC-1270M-58-20-130	KC-1270S-58-20-130	58	161	130	18	20	13	16	30	3000



订购型号 KC-1271

- 材质: 不锈钢(S)/碳钢(M)
- 表面处理: 本色/镀锌
- 特性: 耐载荷、冲击性能优良, 坚固灵活,
- 用途: 工业自动化设备、航空、高铁、医疗、通信设备、电柜箱体及其它设备
- Material: stainless steel (S)/ carbon steel (M)
- Surface finish: natural color/galvanized
- Characteristics: good load resistance, impact performance, firm and flexible,
- Applications: industrial automation equipment, aviation, high-speed rail, medical, communication equipment, electrical cabinet and other equipment

CARBON STEEL (SURFACE GALVANIZED)	STAINLESS STEEL	D±2	H±2	L±3	L1±2	M (UNC)	V	W	LOAD (KGF)
KC-1271M-32-10-75	KC-1271S-32-10-75	32	28	103	75	10	6	17	1000
KC-1271M-32-10-100	KC-1271S-32-10-100	32	28	128	100	10	6	17	1000
KC-1271M-48-12-70	KC-1271S-48-12-70	48	32	102	70	12	8	19	1500
KC-1271M-48-12-100	KC-1271S-48-12-100	48	32	132	100	12	8	19	1500
KC-1271M-64-16-70	KC-1271S-64-16-70	64	40	110	70	16	10	24	2600
KC-1271M-64-16-100	KC-1271S-64-16-100	64	40	140	100	16	10	24	2600



K 脚轮系列

G 气弹簧系列

KC 脚杯系列

A 拉手系列

B 合页系列

C 磁吸/磁扣/磁扣系列

P 旋钮系列

X 锁具系列

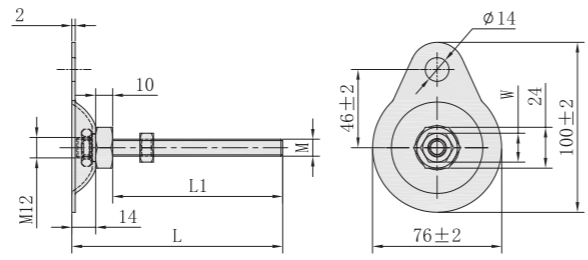
- K 脚轮系列
- G 气弹簧系列
- KC 脚杯系列**
- A 拉手系列
- B 合页系列
- C 磁吸/磁扣/磁扣系列
- P 旋钮系列
- X 锁具系列



- 材质: 不锈钢 (S)
- 表面处理: 本色
- 特性: 耐腐蚀性优异, 外形独特, 装配方便。
- 用途: 工业自动化设备、航空、高铁、医疗、通信设备、电柜箱体及其它设备
- Material: Stainless steel (S)
- Surface treatment: Natural
- Characteristics: excellent corrosion resistance, unique shape and fitting With convenient.
- Applications: industrial automation equipment, aviation, high-speed rail, medical, communication equipment, electrical cabinet and other equipment

订购型号 KC-1274S

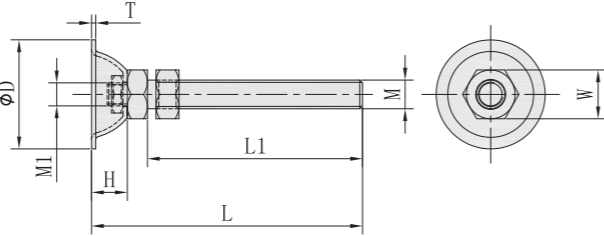
MODEL NO.	L±3	L1±2	M (UNC)	W	LOAD (KGF)
KC-1274S-10-75	99	75	10	17	430
KC-1274S-10-100	124	100	10	17	430
KC-1274S-12-70	94	70	12	19	490
KC-1274S-12-100	124	100	12	19	490
KC-1274S-16-70	94	70	16	24	590
KC-1274S-16-100	124	100	16	24	590
KC-1274S-20-100	124	100	20	30	880
KC-1274S-20-130	154	130	20	30	880



- 材质: 不锈钢(S) /碳钢(M)
- 表面处理: 本色/镀锌
- 特性: 耐载荷、冲击性能优良, 坚固灵活,
- 用途: 工业自动化设备、航空、高铁、医疗、通信设备、电柜箱体及其它设备
- Material: stainless steel (S)/ carbon steel (M)
- Surface finish: natural color/galvanized
- Characteristics: good load resistance, impact performance, firm and flexible,
- Applications: industrial automation equipment, aviation, high-speed rail, medical, communication equipment, electrical cabinet and other equipment

订购型号 KC-1275

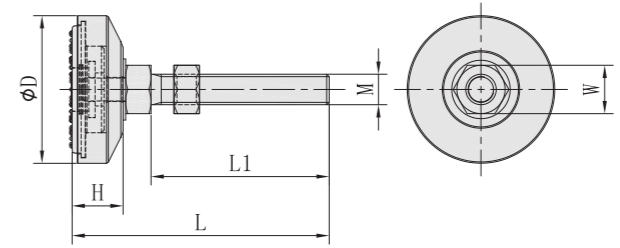
MODEL NO.	NAME	M-A	L	ΦD	L1
KC-1275M-40	KC-1275M-40	8-40	60	40	15
KC-1275M-16-75	KC-1275M-16-75	8-45	75	12.5	8
KC-1275M-40-100	KC-1275M-40-100	10-40	60	40	15
KC-1275M-42-70	KC-1275M-42-70	60	98	70	20
KC-1275M-42-100	KC-1275M-42-100	60	128	100	20
KC-1275M-16-70	KC-1275M-16-70	75	102	70	22
KC-1275M-16-100	KC-1275M-16-100	75	132	100	22
KC-1275M-20-100	KC-1275M-20-100	75	135	100	22
KC-1275M-20-130	KC-1275M-20-130	75	165	130	22



- 材质: 不锈钢+丁腈橡胶
- 表面处理: 本色
- 特性: 耐载荷、冲击性能优良, 坚固灵活,
- 用途: 工业自动化设备、航空、高铁、医疗、通信设备、电柜箱体及其它设备
- Material: stainless steel + butadiene rubber
- Surface treatment: natural color
- Characteristics: good load resistance, impact performance, firm and flexible,
- Applications: industrial automation equipment, aviation, high-speed rail, medical, communication equipment, electrical cabinet and other equipment

订购型号 KC-1276S

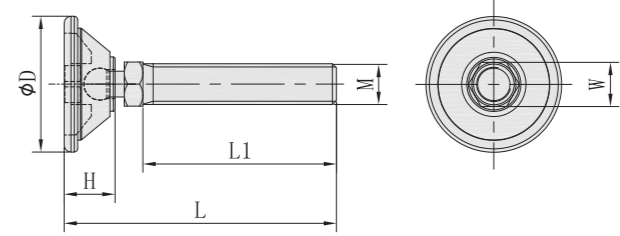
MODEL NO.	D±2	L±3	L1±2	H±1	M (UNC)	W	LOAD (KGF)
KC-1276S-58-12-70	58	101	70	20	12	19	600
KC-1276S-58-12-100	58	131	100	20	12	19	600
KC-1276S-58-16-70	58	104	70	20	16	24	1000
KC-1276S-58-16-100	58	134	100	20	16	24	1000
KC-1276S-78-12-70	78	103	70	22	12	19	600
KC-1276S-78-12-100	78	133	100	22	12	19	600
KC-1276S-78-16-70	78	106	70	22	16	24	1000
KC-1276S-78-16-100	78	136	100	22	16	24	1000
KC-1276S-78-20-100	78	139	100	22	20	30	2000
KC-1276S-78-20-130	78	169	130	22	20	30	2000
KC-1276S-98-16-70	98	111	70	27	16	24	1000
KC-1276S-98-16-100	98	141	100	27	16	24	1000
KC-1276S-98-20-100	98	144	100	27	20	30	2000
KC-1276S-98-20-130	98	174	130	27	20	30	2000
KC-1276S-98-24-100	98	146	100	27	24	36	3000
KC-1276S-98-24-150	98	196	150	27	24	36	3000



- 材质: 碳钢+PA
- 表面处理: 本色
- 特性: 适合经常性移动的装备摆动角度不影响承载量。
- 用途: 工业自动化设备、航空、高铁、医疗、通信设备、电柜箱体及其它设备
- Material: Carbon steel +PA
- Surface treatment: galvanized
- Characteristics: Suitable for the swinging Angle of the equipment which is constantly movingIt does not affect the capacity.
- Applications: industrial automation equipment, aviation, high-speed rail, medical, communication equipment, electrical cabinet and other equipment

订购型号 KC-27\*\*M

MODEL NO.	NAME	M-A	L	ΦD	L1
KC-2709M-40-8-40	KC-2709M-40-8-40	8-40	60	40	15
KC-2710M-40-10-40	KC-2710M-40-10-40	10-40	60	40	15
KC-2711M-40-12-57	KC-2711M-40-12-57	12-57	80	40	15
KC-2713M-55-12-83	KC-2713M-55-12-83	12-83	120	55	23.5
KC-2731M-70-16-50	KC-2731M-70-16-50	16-50	94	70	25
KC-2732M-70-16-100	KC-2732M-70-16-100	16-100	144	70	25

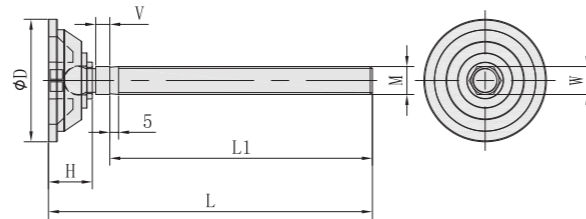




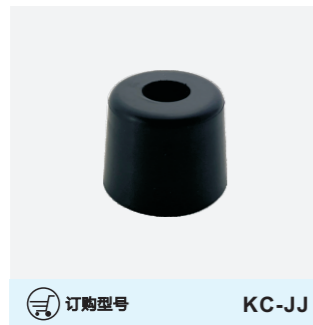
- K 脚轮系列
- G 气弹簧系列
- KC 脚杯系列**
- A 拉手系列
- B 合页系列
- C 电磁锁/推扣系列
- P 旋钮系列
- X 锁具系列



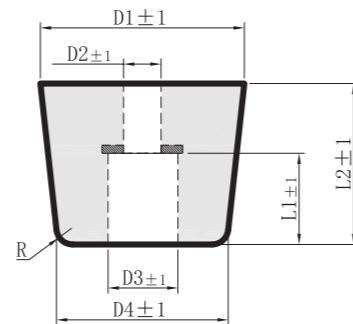
- 材质: 不锈钢+PA
- 表面处理: 本色
- 特性: 适合经常性移动的装备摆动角度不影响承载量
- 用途: 工业自动化设备、航空、高铁、医疗、通信设备、电柜箱体及其它设备
- Material: Carbon steel+PA
- Surface treatment: galvanized
- Characteristics: Suitable for the swinging Angle of the equipment which is constantly movingIt does not affect the capacity.
- Applications: industrial automation equipment, aviation, high-speed rail, medical, communication equipment, electrical cabinet and other equipment



MODEL NO.		L	ΦD	L1	W
NAME	M-A				
KC-2716S-16-150	16-150	186	70	25	16
KC-2717S-16-125	16-125	161	70	25	16



- 材质: 丁晴橡胶+碳钢介子
- 表面处理: 黑色
- 特性: 耐载荷、冲击性能优良, 坚固灵活,
- 用途: 工业自动化设备、航空、高铁、通信设备、电柜箱体及其它设备
- Material: Stainless steel + neoprene rubber
- Surface treatment: natural
- Features: Good load resistance, impact performance, strong and flexible,
- Applications: industrial automation equipment, aviation, high-speed rail, medical, communication equipment, electrical cabinet and other equipment

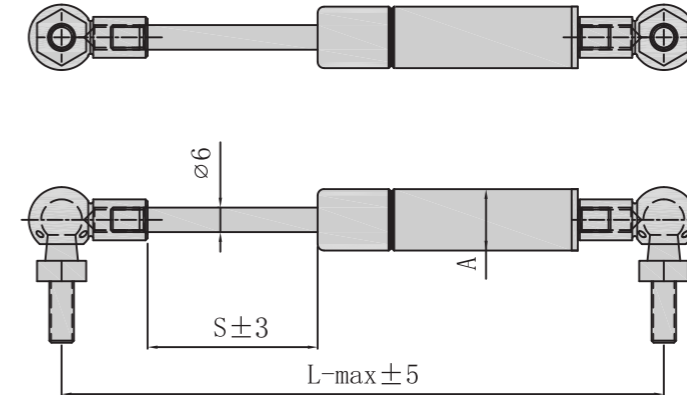


MODEL NO.	D1±1	D2±1	D3±1	D4±1	L1±1	L2±1	R	SHORE HARDNESS ±5°	BEARING CAPACITY (KGF)
KC-JJ-20	20	4.8	9	16	6	11	2	HD15	15
KC-JJ-30	30	4.5	9.5	24	11	20	2	HD15	30
KC-JJ-60	50	7	13	36	12	25	5	HD15	30
KC-JJ-80	38	7	13	32	17	30	3	HD15	50

- K 脚轮系列
- G 气弹簧系列
- KC 脚杯系列**
- A 拉手系列
- B 合页系列
- C 电磁锁/推扣系列
- P 旋钮系列
- X 锁具系列



- 材质: S20C+S45C+氮气
- 表面处理: 喷黑色亚光漆+QPQ黑色处理
- 特性: 耐载荷、冲击性能优良, 坚固灵活
- 用途: 工业自动化设备、航空、高铁、医疗、通信设备、电柜箱体及其它设备
- Material: S20C+S45C+ nitrogen
- Finish: Spray black matte paint +QPQ black finish
- Features: Load resistance, good impact performance, strong and flexible
- Uses: industrial automation equipment, aviation, high-speed rail, medical, communication equipment, electrical cabinet and other equipment



MODEL NO.	PISTON ROD DIAMETER	CYLINDER BLOCK DIAMETER	STROKE	GAS FORCE CHARACTERISTIC(20°)		L-MAX	L-MIN
				L-MAX-10MM STROKE	L-MIN+10MM STROKE		
	B	A	S±3	FA(KGF)±15%	FB(KGF) REFERENCE VALUE		
G-A0615-040-4K	6	15	40	4	5	147	107
G-A0615-060-4K	6	15	60	4	5	187	127
G-A0615-060-16K	6	15	60	16	20	187	127
G-A0615-080-11K	6	15	80	11	14	227	147
G-A0615-080-21K	6	15	80	21	26	227	147
G-A0615-100-11K	6	15	100	11	14	267	167
G-A0615-100-16K	6	15	100	16	20	267	167
G-A0615-120-11K	6	15	120	11	14	307	187
G-A0615-150-16K	6	15	150	16	20	367	217
G-A0615-150-21K	6	15	150	21	26	367	217

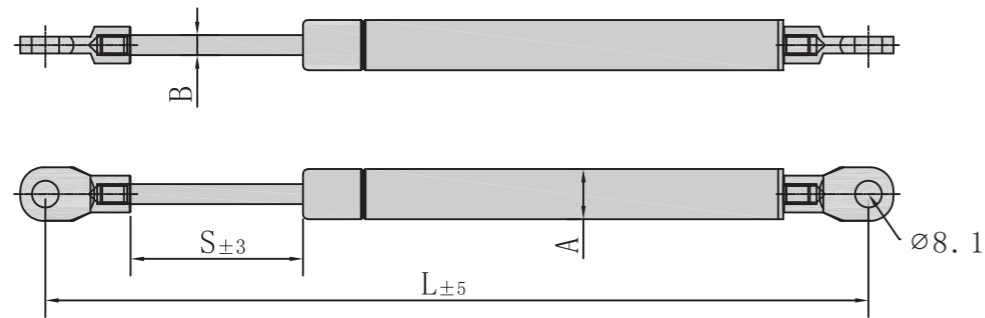
PS: THE ABOVE MODELS ARE STANDARD PARTS, SUPPORTING CUSTOMIZATION ACCORDING TO CUSTOMER'S NEEDS.  
 EXAMPLE: G-A0615-040-4K (A JOINT CODE + PISTON ROD DIAMETER 6MM + CYLINDER BLOCK DIAMETER 15MM + STROKE 40 + INITIAL PRESSURE FA=4KGF)

- K 脚轮系列
- G 气弹簧系列**
- KC 脚杯系列
- A 拉手系列
- B 合页系列
- C 电磁锁/搭扣系列
- P 旋钮系列
- X 锁具系列



- 材质: S20C+S45C+氮气
- 表面处理: 喷黑色亚光漆+QPQ黑色处理
- 特性: 耐载荷、冲击性能优良, 坚固灵活
- 用途: 工业自动化设备、航空、高铁、医疗、通信设备、电柜箱体及其它设备
- Material: S20C+S45C+ nitrogen
- Finish: Spray black matte paint +QPQ black finish
- Features: Load resistance, good impact performance, strong and flexible
- Uses: industrial automation equipment, aviation, high-speed rail, medical, communication equipment, electrical cabinet and other equipment

订购型号 G-B系列



MODEL NO.	PISTON ROD DIAMETER B	CYLINDER BLOCK DIAMETER A	STROKE S±3	GAS FORCE CHARACTERISTIC(20°)		L-MAX	L-MIN		
				L-MAX+10MM STROKE FA(KGF)±15%	L-MIN+10MM STROKE FB(KGF) REFERENCE VALUE				
G-B0615-050-5K	6	15	50	5	7	246	196		
G-B0615-050-10K			50	10	13	246	196		
G-B0615-080-5K			80	5	7	330	250		
G-B0615-080-10K			80	10	13	330	250		
G-B0615-100-5K			100	5	7	386	286		
G-B0615-100-10K			100	10	13	386	286		
G-B0818-100-20K	8	18	100	20	26	386	286		
G-B0818-100-30K			100	30	39	386	286		
G-B0818-150-20K			150	20	27	526	376		
G-B0818-150-30K			150	30	40	526	376		
G-B1022-050-20K			10	22	50	20	27	246	196
G-B1022-050-30K					50	30	41	246	196
G-B1022-080-20K	80	20			28	330	250		
G-B1022-080-40K	80	40			55	330	250		
G-B1022-100-20K	100	20			28	386	286		
G-B1022-100-40K	100	40			55	386	286		
G-B1022-120-20K	120	20			28	440	320		
G-B1022-120-40K	120	40			55	440	320		
G-B1022-150-20K	150	20			28	526	376		
G-B1022-150-40K	150	40			55	526	376		
G-B1022-180-20K	180	20			28	610	430		
G-B1022-180-40K	180	40			55	610	430		
G-B1022-200-20K	200	20			28	666	466		
G-B1022-200-40K	200	40			55	666	466		
G-B1022-250-20K	250	20	31	750	500				
G-B1022-250-40K	250	40	61	750	500				

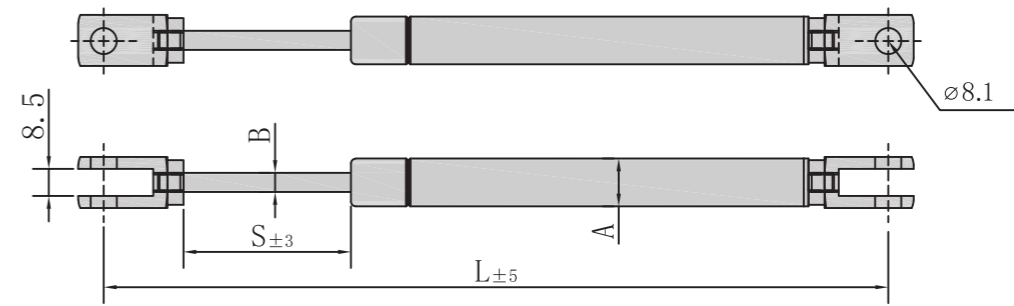
PS: THE ABOVE MODELS ARE STANDARD PARTS, SUPPORTING CUSTOMIZATION ACCORDING TO CUSTOMER'S NEEDS.  
EXAMPLE: G-A0615-050-5K (A JOINT CODE + PISTON ROD DIAMETER 6MM + CYLINDER BLOCK DIAMETER 15MM + STROKE 40 + INITIAL PRESSURE FA=4KGF)

- K 脚轮系列
- G 气弹簧系列**
- KC 脚杯系列
- A 拉手系列
- B 合页系列
- C 电磁锁/搭扣系列
- P 旋钮系列
- X 锁具系列



- 材质: S20C+S45C+氮气
- 表面处理: 喷黑色亚光漆+QPQ黑色处理
- 特性: 耐载荷、冲击性能优良, 坚固灵活
- 用途: 工业自动化设备、航空、高铁、医疗、通信设备、电柜箱体及其它设备
- Material: S20C+S45C+ nitrogen
- Finish: Spray black matte paint +QPQ black finish
- Features: Load resistance, good impact performance, strong and flexible
- Uses: industrial automation equipment, aviation, high-speed rail, medical, communication equipment, electrical cabinet and other equipment

订购型号 G-C系列



MODEL NO.	PISTON ROD DIAMETER B	CYLINDER BLOCK DIAMETER A	STROKE S±3	GAS FORCE CHARACTERISTIC(20°)		L-MAX	L-MIN		
				L-MAX+10MM STROKE FA(KGF)±15%	L-MIN+10MM STROKE FB(KGF) REFERENCE VALUE				
G-C0615-050-5K	6	15	50	5	7	246	196		
G-C0615-050-10K			50	10	13	246	196		
G-C0615-080-5K			80	5	7	330	250		
G-C0615-080-10K			80	10	13	330	250		
G-C0615-100-5K			100	5	7	386	286		
G-C0615-100-10K			100	10	13	386	286		
G-C0818-100-20K	8	18	100	20	26	388	288		
G-C0818-100-30K			100	30	39	388	288		
G-C0818-150-20K			150	20	27	528	378		
G-C0818-150-30K			150	30	40	528	378		
G-C1022-050-20K			10	22	50	20	27	247	197
G-C1022-050-30K					50	30	41	247	197
G-C1022-080-20K	80	20			28	331	251		
G-C1022-080-40K	80	40			55	331	251		
G-C1022-100-20K	100	20			28	387	287		
G-C1022-100-40K	100	40			55	387	287		
G-C1022-120-20K	120	20			28	441	321		
G-C1022-120-40K	120	40			55	441	321		
G-C1022-150-20K	150	20			28	527	377		
G-C1022-150-40K	150	40			55	527	377		
G-C1022-180-20K	180	20			28	611	431		
G-C1022-180-40K	180	40			55	611	431		
G-C1022-200-20K	200	20			28	667	467		
G-C1022-200-40K	200	40			55	667	467		
G-C1022-250-20K	250	20	31	751	501				
G-C1022-250-40K	250	40	61	751	501				

PS: THE ABOVE MODELS ARE STANDARD PARTS, SUPPORTING CUSTOMIZATION ACCORDING TO CUSTOMER'S NEEDS.  
EXAMPLE: G-A0615-050-5K (A JOINT CODE + PISTON ROD DIAMETER 6MM + CYLINDER BLOCK DIAMETER 15MM + STROKE 40 + INITIAL PRESSURE FA=4KGF)



K  
脚轮系列

G  
气弹簧系列

KC  
脚杯系列

A  
拉手系列

B  
合页系列

C  
磁吸/磁吸扣系列

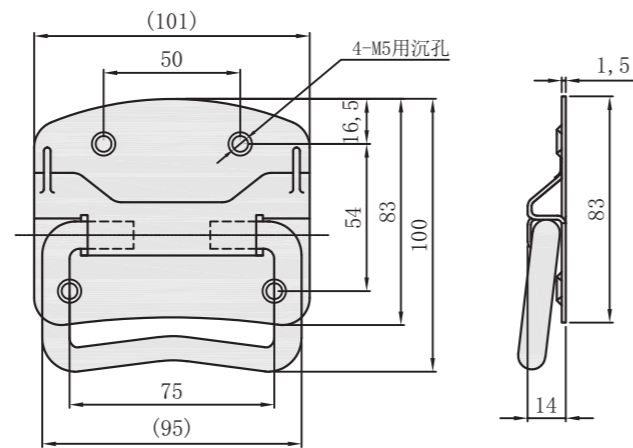
P  
旋钮系列

X  
锁具系列



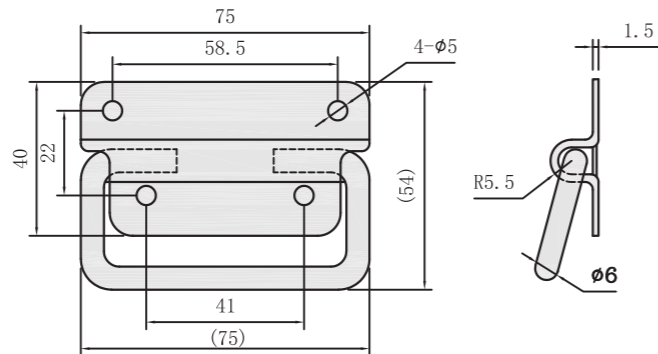
订购型号 A-1006S

- 材质: 不锈钢 (S)
- 表面处理: 研磨
- 特性: 不锈钢柜门把手、耐腐蚀性优异, 用途广泛, 装配方便。
- 用途: 工业自动化设备、航空、高铁、医疗、通信设备、电柜箱体及其它设备
- Material: stainless steel (S)
- Surface treatment: grinding
- Features: stainless steel cabinet door handle, excellent corrosion resistance, use Extensive, convenient assembly.
- Applications: industrial automation equipment, aviation, high-speed rail, medical, communication equipment, electrical cabinet and other equipment



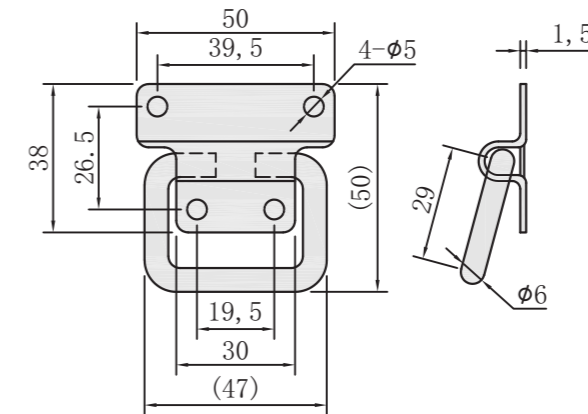
订购型号 A-1006-2S

- 材质: 不锈钢 (S)
- 表面处理: 研磨
- 特性: 不锈钢柜门把手、耐腐蚀性优异, 用途广泛, 装配方便。
- 用途: 工业自动化设备、航空、高铁、医疗、通信设备、电柜箱体及其它设备
- Material: stainless steel (S)
- Surface treatment: grinding
- Features: stainless steel cabinet door handle, excellent corrosion resistance, use Extensive, convenient assembly.
- Applications: industrial automation equipment, aviation, high-speed rail, medical, communication equipment, electrical cabinet and other equipment



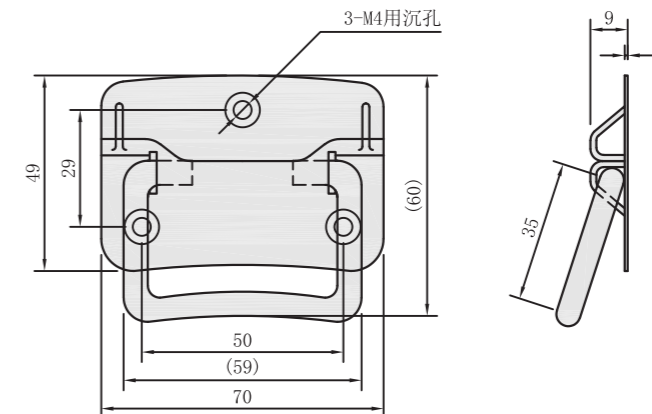
订购型号 A-1006-3S

- 材质: 不锈钢 (S)
- 表面处理: 研磨
- 特性: 不锈钢柜门把手、耐腐蚀性优异, 用途广泛, 装配方便。
- 用途: 工业自动化设备、航空、高铁、医疗、通信设备、电柜箱体及其它设备
- Material: stainless steel (S)
- Surface treatment: grinding
- Features: stainless steel cabinet door handle, excellent corrosion resistance, use Extensive, convenient assembly.
- Applications: industrial automation equipment, aviation, high-speed rail, medical, communication equipment, electrical cabinet and other equipment



订购型号 A-1006-4M

- 材质: 碳钢
- 表面处理: 镀锌
- 特性: 外形独特, 装配方便。
- 用途: 工业自动化设备、航空、高铁、医疗、通信设备、电柜箱体及其它设备
- Material: steel
- Surface treatment: galvanized
- Features: Unique appearance, convenient installation.
- Applications: industrial automation equipment, aviation, high-speed rail, medical, communication equipment, electrical cabinet and other equipment



# Equipment Handles

批量订单  
请电询交货日期

库存品

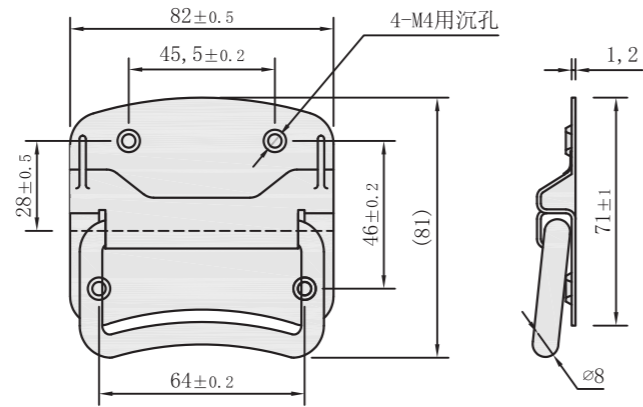
CAD 2D 3D

RoHS



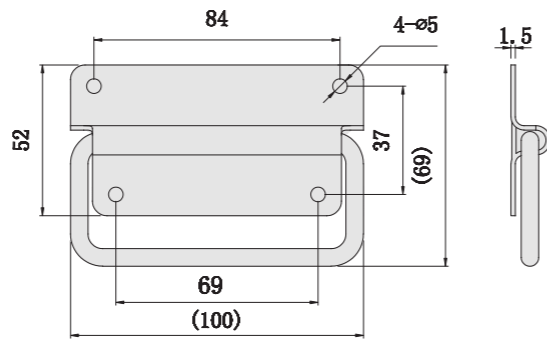
订购型号 A-1006-8S

- 材质: 不锈钢 (S)
- 表面处理: 研磨
- 特性: 不锈钢柜门把手, 耐腐蚀性优异, 用途广泛, 装配方便。
- 用途: 工业自动化设备、航空、高铁、医疗、通信设备、电柜箱体及其它设备
- Material: stainless steel (S)
- Surface treatment: grinding
- Features: stainless steel cabinet door handle, excellent corrosion resistance, use Extensive, convenient assembly.
- Applications: industrial automation equipment, aviation, high-speed rail, medical, communication equipment, electrical cabinet and other equipment



订购型号 A-1007S

- 材质: 不锈钢 (S)
- 表面处理: 研磨
- 特性: 不锈钢柜门把手, 耐腐蚀性优异, 用途广泛, 装配方便。
- 用途: 工业自动化设备、航空、高铁、医疗、通信设备、电柜箱体及其它设备
- Material: stainless steel (S)
- Surface treatment: grinding
- Features: stainless steel cabinet door handle, excellent corrosion resistance, use Extensive, convenient assembly.
- Applications: industrial automation equipment, aviation, high-speed rail, medical, communication equipment, electrical cabinet and other equipment



# Equipment Handles

批量订单  
请电询交货日期

库存品

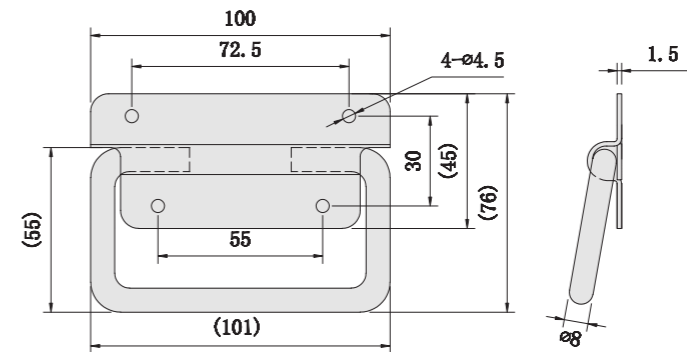
CAD 2D 3D

RoHS



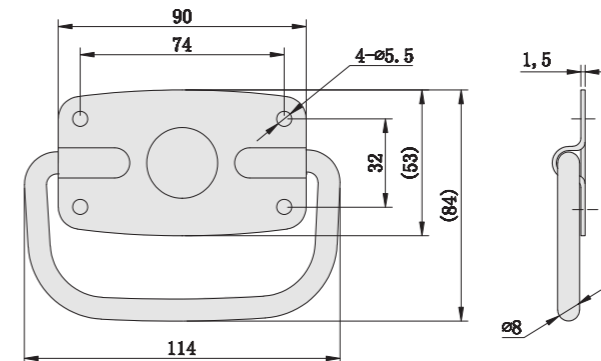
订购型号 A-1008S

- 材质: 不锈钢 (S)
- 表面处理: 研磨
- 特性: 不锈钢柜门把手, 耐腐蚀性优异, 用途广泛, 装配方便。
- 用途: 工业自动化设备、航空、高铁、医疗、通信设备、电柜箱体及其它设备
- Material: stainless steel (S)
- Surface treatment: grinding
- Features: stainless steel cabinet door handle, excellent corrosion resistance, use Extensive, convenient assembly.
- Applications: industrial automation equipment, aviation, high-speed rail, medical, communication equipment, electrical cabinet and other equipment



订购型号 A-1009S

- 材质: 不锈钢 (S)
- 表面处理: 研磨
- 特性: 不锈钢柜门把手, 耐腐蚀性优异, 用途广泛, 装配方便。
- 用途: 工业自动化设备、航空、高铁、医疗、通信设备、电柜箱体及其它设备
- Material: stainless steel (S)
- Surface treatment: grinding
- Features: stainless steel cabinet door handle, excellent corrosion resistance, use Extensive, convenient assembly.
- Applications: industrial automation equipment, aviation, high-speed rail, medical, communication equipment, electrical cabinet and other equipment



# Equipment Handles

批量订单  
请电询交货日期

库存品

CAD 2D 3D

RoHS

# Equipment Handles

批量订单  
请电询交货日期

库存品

CAD 2D 3D

RoHS



K  
脚轮系列

G  
气弹簧系列

KC  
脚杯系列

A  
拉手系列

B  
合页系列

C  
磁吸/磁吸扣系列

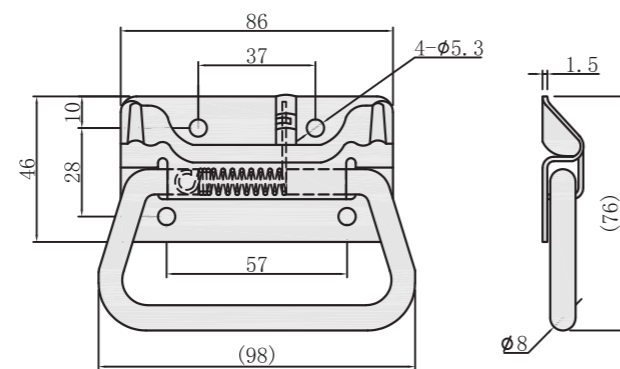
P  
旋钮系列

X  
锁具系列



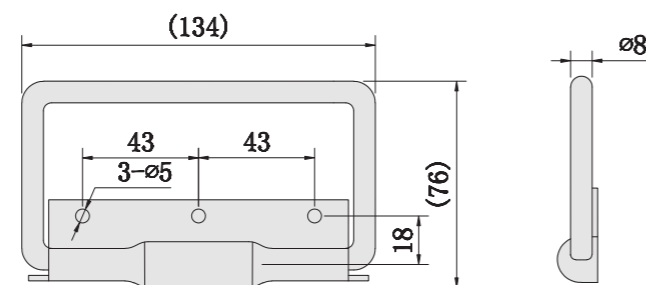
订购型号 A-1011S

- 材质: 不锈钢 (S)
- 表面处理: 研磨
- 特性: 不锈钢弹簧把手、耐腐蚀性优异, 用途广泛, 装配方便。
- 用途: 工业自动化设备、航空、高铁、医疗、通信设备、电柜箱体及其它设备
- Material: stainless steel (S)
- Surface treatment: grinding
- Features: stainless steel cabinet door handle, excellent corrosion resistance, use Extensive, convenient assembly.
- Applications: industrial automation equipment, aviation, high-speed rail, medical, communication equipment, electrical cabinet and other equipment



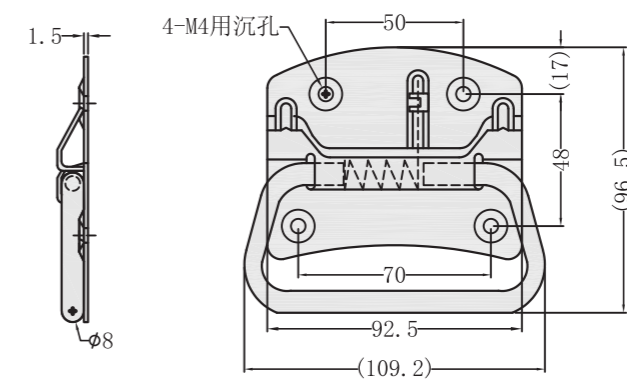
订购型号 A-1016S

- 材质: 不锈钢 (S)
- 表面处理: 研磨
- 特性: 不锈钢弹簧把手、耐腐蚀性优异, 用途广泛, 装配方便。
- 用途: 工业自动化设备、航空、高铁、医疗、通信设备、电柜箱体及其它设备
- Material: stainless steel (S)
- Surface treatment: grinding
- Features: stainless steel cabinet door handle, excellent corrosion resistance, use Extensive, convenient assembly.
- Applications: industrial automation equipment, aviation, high-speed rail, medical, communication equipment, electrical cabinet and other equipment



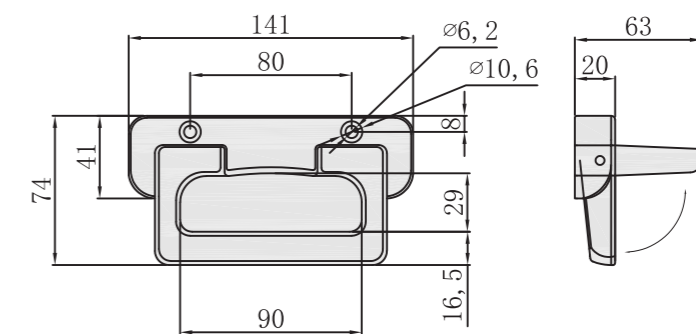
订购型号 A-1175-2S

- 材质: 不锈钢 (S)
- 表面处理: 研磨
- 特性: 不锈钢弹簧把手、耐腐蚀性优异, 用途广泛, 装配方便。
- 用途: 工业自动化设备、航空、高铁、医疗、通信设备、电柜箱体及其它设备
- Material: stainless steel (S)
- Surface treatment: grinding
- Features: stainless steel cabinet door handle, excellent corrosion resistance, use Extensive, convenient assembly.
- Applications: industrial automation equipment, aviation, high-speed rail, medical, communication equipment, electrical cabinet and other equipment



订购型号 A-MPE13S

- 材质: 塑料
- 表面处理: 黑色
- 特性: 外形独特, 装配方便。
- 用途: 工业自动化设备、航空、高铁、医疗、通信设备、电柜箱体及其它设备
- Material: Plastic
- Finish: Black
- Features: Unique shape, easy to assemble.
- Applications: industrial automation equipment, aviation, high-speed rail, medical, communication equipment, electrical cabinet and other equipment



备注:  
1. 折叠手柄, 带复位弹簧高科技聚合物。  
2. 材料: 玻璃纤维加固聚酰胺基 (PA) 高科技聚合物。  
3. 旋转销和复位弹簧材质: AISI303 不锈钢销, AISI302 不锈钢弹簧。

K  
脚轮系列

G  
气弹簧系列

KC  
脚杯系列

A  
拉手系列

B  
合页系列

C  
磁吸/磁吸扣系列

P  
旋钮系列

X  
锁具系列

# Equipment Handles

批量订单  
请电询交货日期

库存品

CAD 2D 3D

RoHS

K 脚轮系列

G 气弹簧系列

KC 脚杯系列

A 拉手系列

B 合页系列

C 磁吸/磁钩/磁扣系列

P 旋钮系列

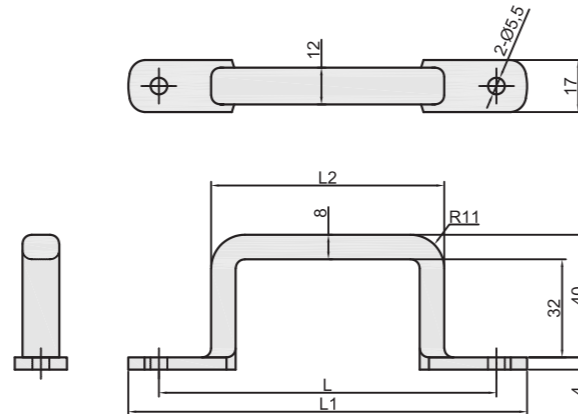
X 锁具系列



订购型号 A-3040

- 材质: 碳钢 (M) / 不锈钢 (S)
- 表面处理: 镀铬/抛光
- 特性: 耐腐蚀性优异, 外形独特, 装配方便。
- 用途: 工业自动化设备、航空、高铁、医疗、通信设备、电柜箱体及其它设备
- Material: Carbon steel (M)/stainless steel (S)
- Surface treatment: Chrome plating/polishing
- Features: Excellent corrosion resistance, unique appearance, easy assembly.
- Applications: industrial automation equipment, aviation, high-speed rail, medical, communication equipment, electrical cabinet and other equipment

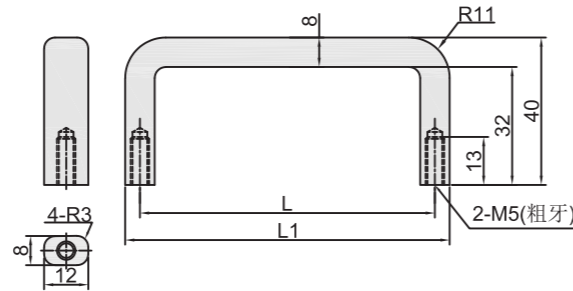
MATERIAL: SUM22L SURFACE FINISH: CHROME PLATED	MATERIAL: SUS304 SURFACE FINISH: MIRROR POLISHING	L	L1	L2
A-3040M-L110	A-3040S-L110	110	130	76
A-3040M-L120	A-3040S-L120	120	140	86
A-3040M-L125	A-3040S-L125	125	145	91
A-3040M-L160	A-3040S-L160	160	180	126
A-3040M-L200	A-3040S-L200	200	220	166
A-3040M-L250	A-3040S-L250	250	270	216



订购型号 A-3041S

- 材质: 碳钢 (M) / 不锈钢 (S)
- 表面处理: 镀铬/抛光
- 特性: 耐腐蚀性优异, 外形独特, 装配方便。
- 用途: 工业自动化设备、航空、高铁、医疗、通信设备、电柜箱体及其它设备
- Material: Carbon steel (M)/Stainless steel (S)
- Finish: chrome plating/polishing
- Features: Excellent corrosion resistance, unique shape, easy assembly.
- Applications: industrial automation equipment, aviation, high-speed rail, medical, communication equipment, electrical cabinet and other equipment

MATERIAL: SUM22L SURFACE FINISH: CHROME PLATED	MATERIAL: SUS304 SURFACE FINISH: MIRROR POLISHING	L	L1	ALLOWABLE LOAD CAPACITY (N)
A-3041M-L80	A-3041S-L80	80	88	2500
A-3041M-L100	A-3041S-L100	100	108	
A-3041M-L125	A-3041S-L125	125	133	
A-3041M-L160	A-3041S-L160	160	168	
A-3041M-L200	A-3041S-L200	200	208	
A-3041M-L250	A-3041S-L250	250	258	



# Equipment Handles

批量订单  
请电询交货日期

库存品

CAD 2D 3D

RoHS

K 脚轮系列

G 气弹簧系列

KC 脚杯系列

A 拉手系列

B 合页系列

C 磁吸/磁钩/磁扣系列

P 旋钮系列

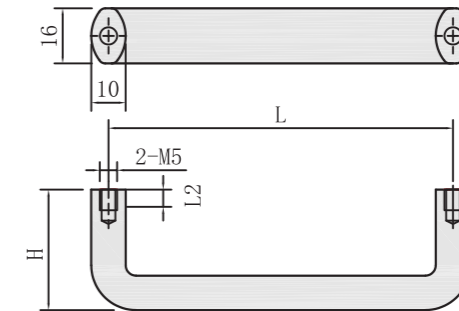
X 锁具系列



订购型号 A-1042S

- 材质: 不锈钢 (S)
- 表面处理: 抛光
- 特性: 耐腐蚀性优异, 外形独特, 装配方便。
- 用途: 工业自动化设备、航空、高铁、医疗、通信设备、电柜箱体及其它设备
- Material: Stainless steel (S)
- Surface treatment: grinding
- Characteristics: excellent corrosion resistance, unique shape and fitting with convenient.
- Applications: industrial automation equipment, aviation, high-speed rail, medical, communication equipment, electrical cabinet and other equipment

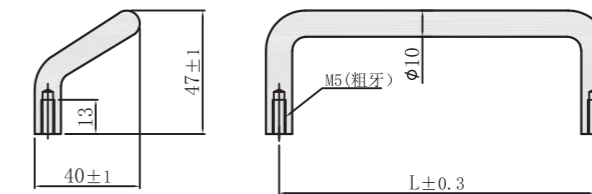
MODEL NO.	H	L	M	L2	WEIGHT CAPACITY
A-1042-F-1S	50	288	M5	10	730
A-1042-F-2S	50	238	M5	10	730
A-1042-F-3S	50	188	M5	10	730
A-1042-F-15S	50	150	M5	10	730
A-1042-F-4S	40	120	M5	10	580
A-1042-F-5S	40	110	M5	10	580
A-1042-F-6S	35	100	M5	10	440
A-1042-F-7S	35	68	M5	10	440



订购型号 A-1074

- 材质: 不锈钢 (S) / 碳钢 (M) / 铝合金 (A)
- 表面处理: 研磨/镀铬/阳极氧化
- 特性: 不锈钢把手, 耐腐蚀性优异, 用途广泛, 装配方便。
- 用途: 工业自动化设备、航空、高铁、医疗、通信设备、电柜箱体及其它设备
- Material: Stainless Steel (S)/Carbon Steel (M)/Aluminum Alloy (A)
- Surface treatment: grinding/chrome plating/anodizing
- Features: stainless steel handle, excellent corrosion resistance, widely used, installed with convenient.
- Applications: industrial automation equipment, aviation, high-speed rail, medical, communication equipment, electrical cabinet and other equipment

MODEL NO.	L	ALLOWABLE LOAD CAPACITY (N)
A-1074-1S	48	2000
A-1074-2S	66	2000
A-1074-3S	88	2000
A-1074-4S	100	2000
A-1074-5S	110	2000
A-1074-6S	120	2000
A-1074-7S	125	2000
A-1074-8S	160	2000



批量订单  
请电询交货日期

库存品

CAD 2D 3D

RoHS

批量订单  
请电询交货日期

库存品

CAD 2D 3D

RoHS



# Equipment Handles

批量订单  
请电询交货日期

库存品

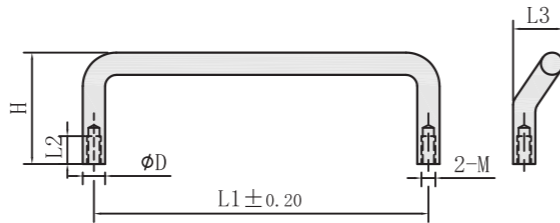
CAD 2D 3D

RoHS



订购型号 A-1075S

- Material: Stainless steel (S)
- Surface treatment: grinding
- Characteristics: excellent corrosion resistance, unique shape and fittingWith convenient.
- Applications: industrial automation equipment, aviation, high-speed rail, medical, communication equipment, electrical cabinet and other equipment

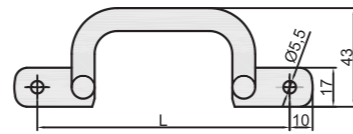


MODEL NO.	H	L1	L2	L3	M	ΦD	WEIGHT CAPACITY
A-1075-4S	40	120	10	18	M5	8	490
A-1075-5S	32	100	10	18	M5	8	490
A-1075-6S	31.5	80	7	16	M4	6	392
A-1075-7S	30	60	7	16	M4	6	392

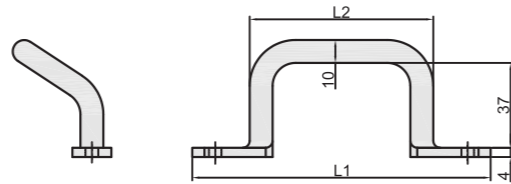


订购型号 A-3076

- 材质: 碳钢 (M) / 不锈钢 (S)
- 表面处理: 镀铬/抛光
- 特性: 用途广泛, 装配方便。
- 用途: 工业自动化设备、航空、高铁、医疗、通信设备、电柜箱体及其它设备
- Material: Carbon steel (M)/Stainless Steel (S)
- Finish: chrome plating/polishing
- Features: Wide use, easy to assemble.
- Applications: industrial automation equipment, aviation, high-speed rail, medical, communication equipment, electrical cabinet and other equipment



MATERIAL: SUM22L SURFACE FINISH: CHROME PLATED	MATERIAL: SUS304 SURFACE FINISH: MIRROR POLISHING	L	L1	L2
A-3076M-L110	A-3076S-L110	110	130	80
A-3076M-L120	A-3076S-L120	120	140	90
A-3076M-L125	A-3076S-L125	125	145	95
A-3076M-L160	A-3076S-L160	160	180	130
A-3076M-L200	A-3076S-L200	200	220	170
A-3076M-L250	A-3076S-L250	250	270	220



# Equipment Handles

批量订单  
请电询交货日期

库存品

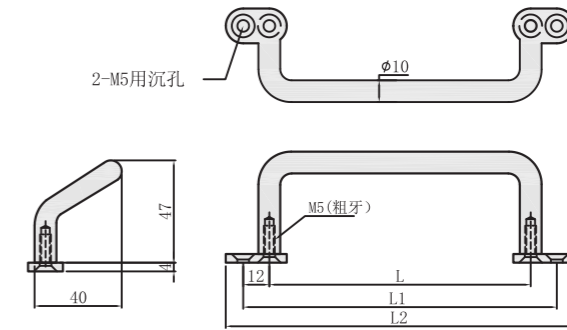
CAD 2D 3D

RoHS



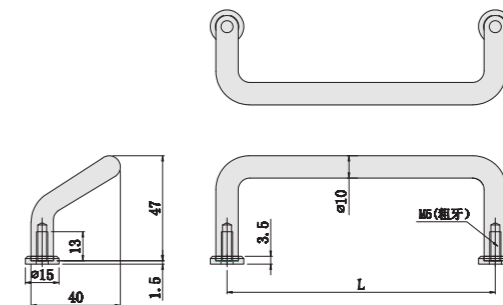
订购型号 A-1077

- 材质: 不锈钢 (S) / 碳钢 (M)
- 表面处理: 研磨/镀铬
- 特性: 用途广泛, 装配方便。
- 用途: 工业自动化设备、航空、高铁、医疗、通信设备、电柜箱体及其它设备
- Material: Stainless Steel (S)/Carbon Steel (M)
- Surface treatment: grinding
- Characteristics: excellent corrosion resistance, unique shape and fittingWith convenient.
- Applications: industrial automation equipment, aviation, high-speed rail, medical, communication equipment, electrical cabinet and other equipment



订购型号 A-1078

- 材质: 不锈钢 (S) / 碳钢 (M) / 铝合金 (A)
- 表面处理: 研磨/镀铬/阳极氧化
- 特性: 用途广泛, 装配方便。
- 用途: 工业自动化设备、航空、高铁、医疗、通信设备、电柜箱体及其它设备
- Material: Stainless Steel (S)/Carbon Steel (M)/Aluminum Alloy (A)
- Surface treatment: grinding/chrome plating/anodizing
- Features: stainless steel handle, excellent corrosion resistance, widely used, installedWith convenient.
- Applications: industrial automation equipment, aviation, high-speed rail, medical, communication equipment, electrical cabinet and other equipment



MODEL NO.	L	W	T	P1	P2	P3	P4	φD1	φD2	N1	N2
B-1078S-11	40	35	1.5	22	26	/	/	3.5	3	6.3	4
B-1078S-12	50	35	1.5	22	34	/	/	3.5	33	6.3	4
B-1078S-13	65	50	2	30	23	23	/	4.5	4.5	8.8	6
B-1078S-14	75	50	2	30	27	27	/	5.5	4.5	8.8	6
B-1078S-15	90	60	3	38	35	35	/	6.5	6	12.3	6
B-1078S-16	100	60	3	38	26	26	26	6.5	6	12.3	8

# Equipment Handles

批量订单  
请电询交货日期

库存品

CAD 2D 3D

RoHS

# Equipment Handles

批量订单  
请电询交货日期

库存品

CAD 2D 3D

RoHS

K  
脚轮系列

G  
气弹簧系列

KC  
脚杯系列

A  
拉手系列

B  
合页系列

C  
磁吸/磁吸扣系列

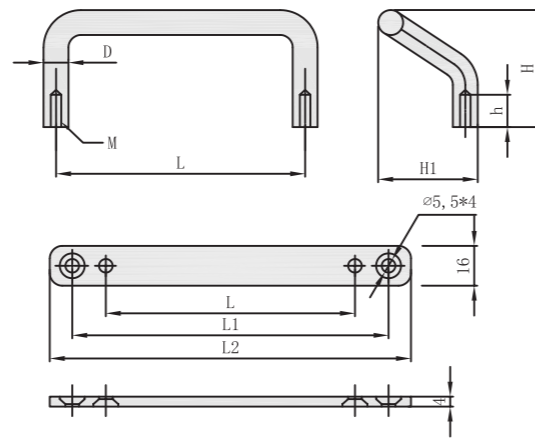
P  
旋钮系列

X  
锁具系列



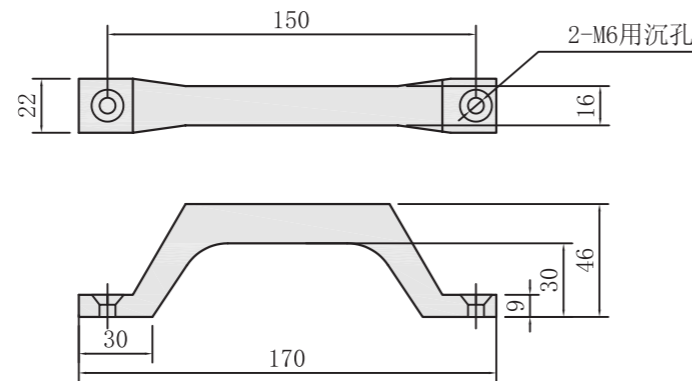
订购型号 A-1079A

- 材质: 铝 (A)
- 表面处理: 氧化
- 特性: 耐腐蚀性优异, 外形独特, 装配方便。
- 用途: 工业自动化设备、航空、高铁、通信设备、电柜箱体及其它设备
- Material: Stainless steel (S) + rubber
- Finish: Brushed + black
- Features: Excellent corrosion resistance, unique shape, easy assembly.
- Applications: industrial automation equipment, aviation, high-speed rail, medical, communication equipment, electrical cabinet and other equipment



订购型号 A-1080-2S

- 材质: 不锈钢 (S)
- 表面处理: 抛光
- 特性: 耐腐蚀性优异, 外形独特, 装配方便。
- 用途: 工业自动化设备、航空、高铁、医疗、通信设备、电柜箱体及其它设备
- Material: Stainless steel (S)
- Surface treatment: grinding
- Characteristics: excellent corrosion resistance, unique shape and fittingWith convenient.
- Applications: industrial automation equipment, aviation, high-speed rail, medical, communication equipment, electrical cabinet and other equipment



K  
脚轮系列

G  
气弹簧系列

KC  
脚杯系列

A  
拉手系列

B  
合页系列

C  
磁吸/磁吸扣系列

P  
旋钮系列

X  
锁具系列

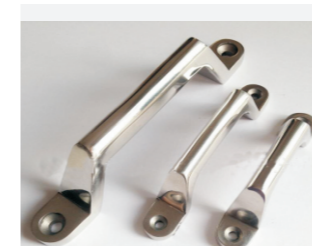
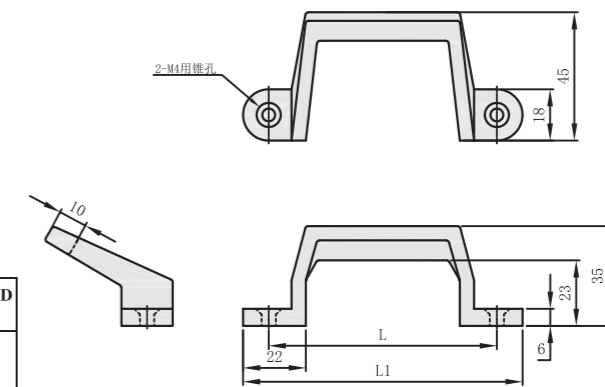


订购型号 A-1081S

- 材质: 精铸不锈钢 (S)
- 表面处理: 抛光
- 特性: 耐腐蚀性优异, 外形独特, 装配方便。
- 用途: 工业自动化设备、航空、高铁、医疗、通信设备、电柜箱体及其它设备

- Material: Investment cast stainless steel (S)
- Surface treatment: polishing
- Features: Excellent corrosion resistance, unique appearance, easy assembly.
- Applications: industrial automation equipment, aviation, high-speed rail, medical, communication equipment, electrical cabinet and other equipment

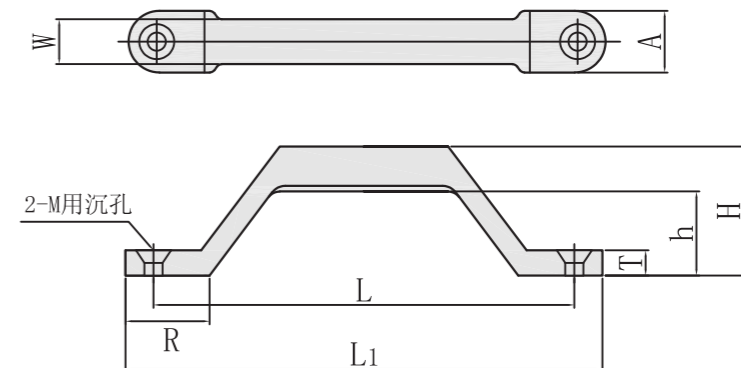
SURFACE FINISH: MIRROR POLISHING	L	L1	ALLOWABLE LOAD CAPACITY (N)
A-1081S-L80	80	98	500
A-1081S-L100	100	118	
A-1081S-L150	150	168	



订购型号 A-1082S

- 材质: 不锈钢 (S)
- 表面处理: 抛光
- 特性: 耐腐蚀性优异, 外形独特, 装配方便。
- 用途: 工业自动化设备、航空、高铁、医疗、通信设备、电柜箱体及其它设备

- Material: Stainless steel (S)
- Surface treatment: grinding
- Characteristics: excellent corrosion resistance, unique shape and fittingWith convenient.
- Applications: industrial automation equipment, aviation, high-speed rail, medical, communication equipment, electrical cabinet and other equipment





K 脚轮系列

G 气弹簧系列

KC 脚杯系列

A 拉手系列

B 合页系列

C 磁吸/磁吸扣系列

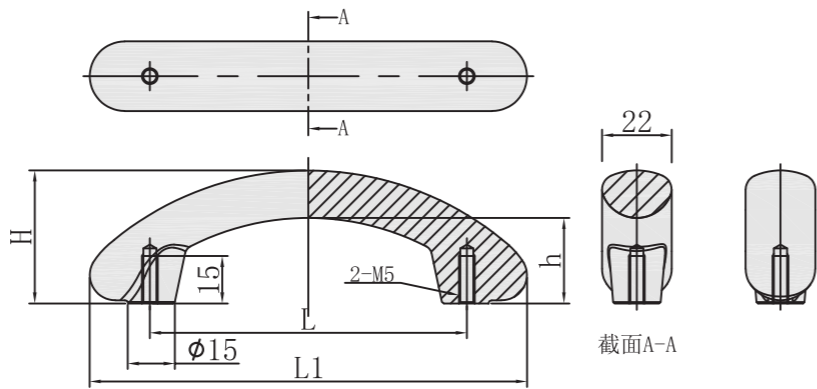
P 旋钮系列

X 锁具系列



订购型号 A-1083S

- 材质: 精铸不锈钢 (S)
- 表面处理: 抛光
- 特性: 耐腐蚀性优异, 外形独特, 装配方便。
- 用途: 工业自动化设备、航空、高铁、医疗、通信设备、电柜箱体及其它设备
- Material: Investment cast stainless steel (S)
- Surface treatment: polishing
- Features: Excellent corrosion resistance, unique appearance, easy assembly.
- Applications: industrial automation equipment, aviation, high-speed rail, medical, communication equipment, electrical cabinet and other equipment

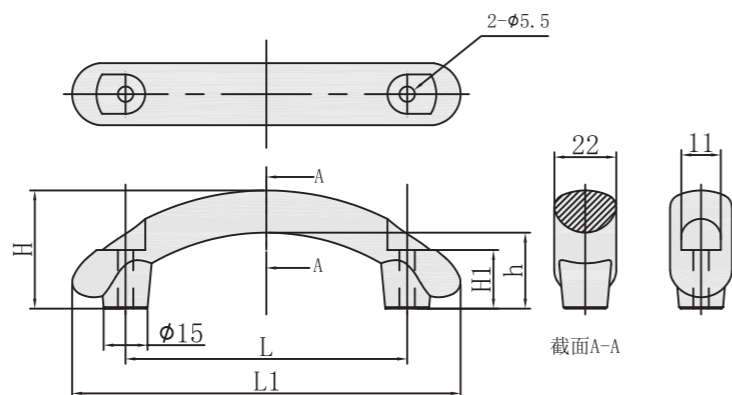


MODEL NO.	L	L1	H	H1	ALLOWABLE LOAD CAPACITY (N)
A-1083S-L100	100	138	42	27	500
A-1083S-L150	150	190	44	29	



订购型号 A-1084S

- 材质: 精铸不锈钢 (S)
- 表面处理: 抛光
- 特性: 耐腐蚀性优异, 外形独特, 装配方便。
- 用途: 工业自动化设备、航空、高铁、医疗、通信设备、电柜箱体及其它设备
- Material: Investment cast stainless steel (S)
- Surface treatment: polishing
- Features: Excellent corrosion resistance, unique appearance, easy assembly.
- Applications: industrial automation equipment, aviation, high-speed rail, medical, communication equipment, electrical cabinet and other equipment



MODEL NO.	L	L1	H	H1	H2	ALLOWABLE LOAD CAPACITY (N)
A-1084S-L100	100	139	42	27	22	500
A-1084S-L150	150	190	44	29	20	

K 脚轮系列

G 气弹簧系列

KC 脚杯系列

A 拉手系列

B 合页系列

C 磁吸/磁吸扣系列

P 旋钮系列

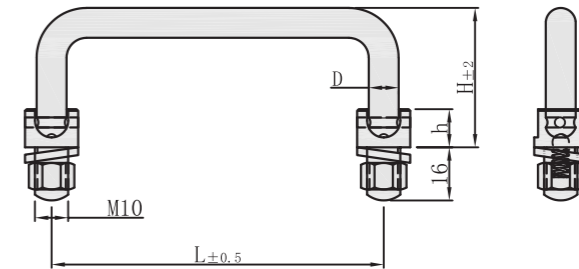
X 锁具系列



订购型号 A-5004M

- 材质: 碳钢 (M)
- 表面处理: 镀铬
- 特性: 折叠拉手, 外形独特, 装配方便。
- 用途: 工业自动化设备、航空、高铁、医疗、通信设备、电柜箱体及其它设备

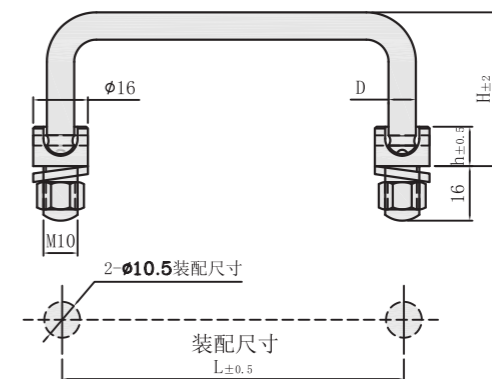
- Material: Stainless steel (M)
- Surface treatment: grinding
- Characteristics: excellent corrosion resistance, unique shape and fittingWith convenient.
- Applications: industrial automation equipment, aviation, high-speed rail, medical, communication equipment, electrical cabinet and other equipment



订购型号 A-1104S

- 材质: 不锈钢 (S)
- 表面处理: 研磨
- 特性: 耐腐蚀性优异, 外形独特, 装配方便。
- 用途: 工业自动化设备、航空、高铁、医疗、通信设备、电柜箱体及其它设备

- Material: Stainless steel (S)
- Surface treatment: grinding
- Characteristics: excellent corrosion resistance, unique shape and fittingWith convenient.
- Applications: industrial automation equipment, aviation, high-speed rail, medical, communication equipment, electrical cabinet and other equipment



MODELNO.	D	H±0.5	H±2	L±0.5
A-1104-2S	8	11.5	42	100
A-1104-3S	8	11.5	42	120
A-1104-5S	8	11.5	42	150

# Equipment Handles

批量订单  
请电询交货日期

库存品

CAD 2D 3D

RoHS

# Equipment Handles

批量订单  
请电询交货日期

库存品

CAD 2D 3D

RoHS

K 脚轮系列

G 气弹簧系列

KC 脚杯系列

A 拉手系列

B 合页系列

C 磁吸/磁吸扣系列

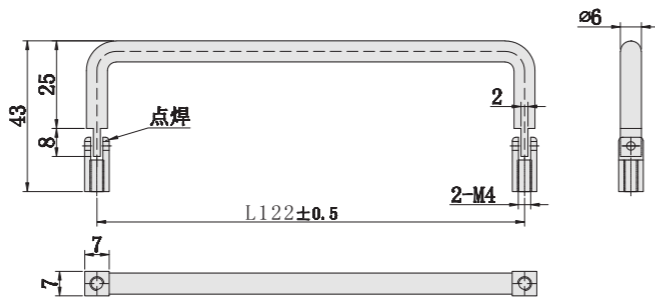
P 旋钮系列

X 锁具系列



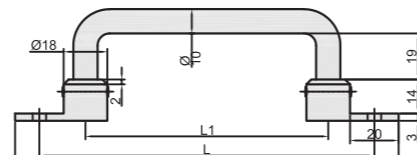
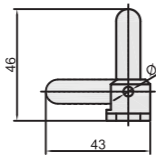
订购型号 A-1105-5S

- 材质: 不锈钢 (S)
- 表面处理: 研磨
- 特性: 耐腐蚀性优异, 外形独特, 装配方便。
- 用途: 工业自动化设备、航空、高铁、医疗、通信设备、电柜箱体及其它设备
- Material: Stainless steel (S)
- Surface treatment: grinding
- Characteristics: excellent corrosion resistance, unique shape and fittingWith convenient.
- Applications: industrial automation equipment, aviation, high-speed rail, medical, communication equipment, electrical cabinet and other equipment



订购型号 A-1106

- 材质: 碳钢 (M) / 不锈钢 (S)
- 表面处理: 镀铬/抛光
- 特性: 耐腐蚀性优异, 外形独特, 装配方便。
- 用途: 工业自动化设备、航空、高铁、医疗、通信设备、电柜箱体及其它设备
- Material: Carbon steel (M)/Stainless Steel (S)
- Finish: chrome plating/polishing
- Features: Excellent corrosion resistance, unique shape, easy assembly.
- Applications: industrial automation equipment, aviation, high-speed rail, medical, communication equipment, electrical cabinet and other equipment



SURFACE FINISH: CHROME PLATED	SURFACE FINISH: MIRROR POLISHING	L	L1	ALLOWABLE LOAD CAPACITY (N)
A-1106M-138	A-1106S-138	138	100	650
A-1106M-158	A-1106S-158	158	120	550
A-1106M-180	A-1106S-180	180	142	520
A-1106M-218	A-1106S-218	218	180	500

# Equipment Handles

批量订单  
请电询交货日期

库存品

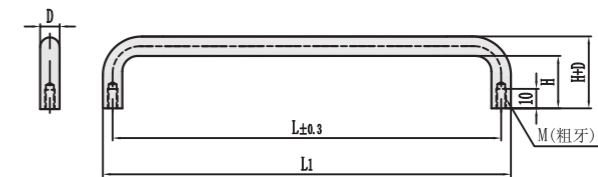
CAD 2D 3D

RoHS



订购型号 A-1110

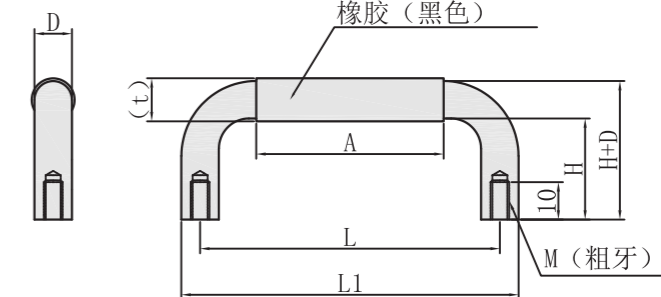
- 材质: 不锈钢 (S) / 碳钢 (M) / 铝合金 (A)
- 表面处理: 研磨/镀铬/阳极氧化
- 特性: 用途广泛, 装配方便。
- 用途: 工业自动化设备、航空、高铁、医疗、通信设备、电柜箱体及其它设备
- Material: Stainless Steel (S)/Carbon Steel (M)/Aluminum Alloy (A)
- Surface treatment: grinding/chrome plating/anodizing
- Features: stainless steel handle, excellent corrosion resistance, widely used, installedWith convenient.
- Applications: industrial automation equipment, aviation, high-speed rail, medical, communication equipment, electrical cabinet and other equipment



订购型号 A-2110

- 材质: 碳钢 (M) / 不锈钢 (S)
- 表面处理: 镀铬/抛光
- 特性: 耐腐蚀性优异, 外形独特, 装配方便。
- 用途: 工业自动化设备、航空、高铁、医疗、通信设备、电柜箱体及其它设备
- Material: Carbon steel (M)/Stainless Steel (S)
- Finish: chrome plating/polishing
- Features: Excellent corrosion resistance, unique shape, easy assembly
- Applications: industrial automation equipment, aviation, high-speed rail, medical, communication equipment, electrical cabinet and other equipment

MATERIAL: SUS304+RUBBER SURFACE FINISH: CHROME PLATED	MATERIAL: SUS304+RUBBER SURFACE FINISH: MIRROR POLISHING	D	L	H	L1	M	A	ALLOWABLE LOAD CAPACITY (N)
A-2110M-10-80-27	A-2110S-10-80-27	10	80	27	90	5	50	2500
A-2110M-10-80-50	A-2110S-10-80-50	10	80	50	90	5	50	
A-2110M-10-100-27	A-2110S-10-100-27	10	100	27	110	5	70	
A-2110M-10-100-50	A-2110S-10-100-50	10	100	50	110	5	70	
A-2110M-10-110-27	A-2110S-10-110-27	10	110	27	120	5	80	
A-2110M-10-110-50	A-2110S-10-110-50	10	110	50	120	5	80	
A-2110M-10-120-27	A-2110S-10-120-27	10	120	27	130	5	90	
A-2110M-10-120-50	A-2110S-10-120-50	10	120	50	130	5	90	
A-2110M-10-125-27	A-2110S-10-125-27	10	125	27	135	5	95	
A-2110M-10-125-50	A-2110S-10-125-50	10	125	50	135	5	95	
A-2110M-10-160-27	A-2110S-10-160-27	10	160	27	170	5	130	
A-2110M-10-160-50	A-2110S-10-160-50	10	160	50	170	5	130	
A-2110M-10-200-27	A-2110S-10-200-27	10	200	27	210	5	170	
A-2110M-10-200-50	A-2110S-10-200-50	10	200	50	210	5	170	
A-2110M-10-250-27	A-2110S-10-250-27	10	250	27	260	5	220	
A-2110M-10-250-50	A-2110S-10-250-50	10	250	50	260	5	220	
A-2110M-12-150-40	A-2110S-12-150-40	12	150	40	162	8	120	
A-2110M-12-150-75	A-2110S-12-150-75	12	150	75	162	8	120	
A-2110M-12-188-40	A-2110S-12-188-40	12	188	40	200	8	158	
A-2110M-12-188-75	A-2110S-12-188-75	12	188	75	200	8	158	
A-2110M-12-238-40	A-2110S-12-238-40	12	238	40	250	8	208	
A-2110M-12-238-75	A-2110S-12-238-75	12	238	75	250	8	208	
A-2110M-12-288-40	A-2110S-12-288-40	12	288	40	300	8	258	
A-2110M-12-288-75	A-2110S-12-288-75	12	288	75	300	8	258	



K 脚轮系列

G 气弹簧系列

KC 脚杯系列

A 拉手系列

B 合页系列

C 磁吸/磁吸扣系列

P 旋钮系列

X 锁具系列

# Equipment Handles

批量订单  
请电询交货日期

库存品

CAD 2D 3D

RoHS

K  
脚轮系列

G  
气弹簧系列

KC  
脚杯系列

A  
拉手系列

B  
合页系列

C  
磁吸/磁吸扣系列

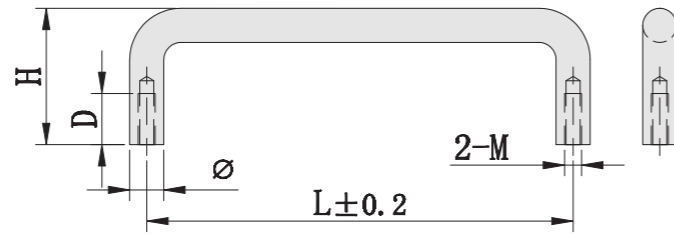
P  
旋钮系列

X  
锁具系列



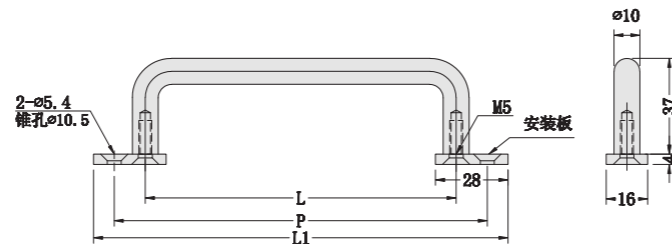
订购型号 A-1111S

- 材质: 不锈钢 (S)
- 表面处理: 研磨
- 特性: 耐腐蚀性优异, 外形独特, 装配方便。
- 用途: 工业自动化设备、航空、高铁、医疗、通信设备、电柜箱体及其它设备
- Material: Stainless steel (S)
- Surface treatment: grinding
- Characteristics: excellent corrosion resistance, unique shape and fittingWith convenient.
- Applications: industrial automation equipment, aviation, high-speed rail, medical, communication equipment, electrical cabinet and other equipment



订购型号 A-1113

- 材质: 不锈钢 (S) /碳钢(M)
- 表面处理: 研磨/镀铬
- 特性: 外形独特, 装配方便。
- 用途: 工业自动化设备、航空、高铁、医疗、通信设备、电柜箱体及其它设备
- Material: Stainless Steel (S)/Carbon Steel (M)
- Surface treatment: grinding
- Characteristics: excellent corrosion resistance, unique shape and fittingWith convenient.
- Applications: industrial automation equipment, aviation, high-speed rail, medical, communication equipment, electrical cabinet and other equipment



K  
脚轮系列

G  
气弹簧系列

KC  
脚杯系列

A  
拉手系列

B  
合页系列

C  
磁吸/磁吸扣系列

P  
旋钮系列

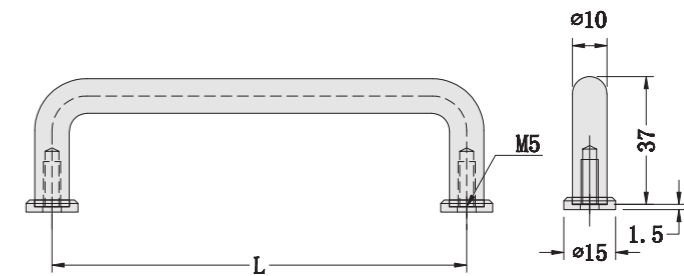
X  
锁具系列



订购型号 A-1114

- 材质: 不锈钢 (S) /碳钢(M)
- 表面处理: 研磨/镀铬
- 特性: 外形独特, 装配方便。
- 用途: 工业自动化设备、航空、高铁、医疗、通信设备、电柜箱体及其它设备

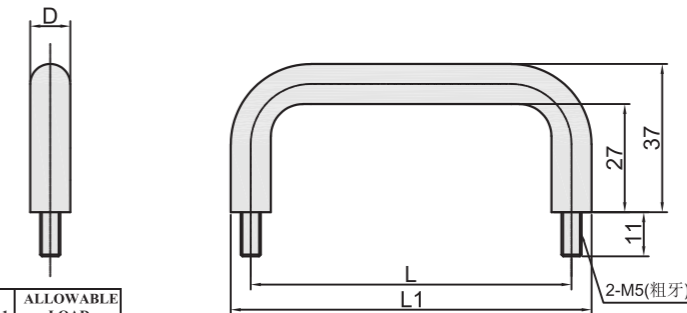
- Material: Stainless Steel (S)/Carbon Steel (M)
- Surface treatment: grinding
- Characteristics: excellent corrosion resistance, unique shape and fittingWith convenient.
- Applications: industrial automation equipment, aviation, high-speed rail, medical, communication equipment, electrical cabinet and other equipment



订购型号 A-3107

- 材质: 碳钢 (M) /不锈钢 (S)
- 表面处理: 镀铬/抛光
- 特性: 用途广泛, 装配方便。
- 用途: 工业自动化设备、航空、高铁、医疗、通信设备、电柜箱体及其它设备

- Material: Carbon steel (M)/Stainless Steel (S)
- Finish: chrome plating/polishing
- Features: Wide use, easy to assemble.
- Applications: industrial automation equipment, aviation, high-speed rail, medical, communication equipment, electrical cabinet and other equipment



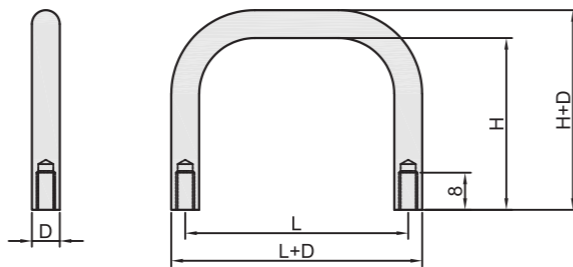
MATERIAL:SUM22L SURFACE FINISH: CHROMEPLATED	MATERIAL:SUS304 SURFACE FINISH: MIRRORPOLISHING	D	L	L1	ALLOWABLE LOAD CAPACITY(N)
A-3107M-10-80	A-3107S-10-80	10	80	90	2500
A-3107M-10-100	A-3107S-10-100	10	100	110	2500
A-3107M-10-110	A-3107S-10-110	10	110	120	2500
A-3107M-10-120	A-3107S-10-120	10	120	130	2500
A-3107M-10-125	A-3107S-10-125	10	125	135	2500
A-3107M-10-160	A-3107S-10-160	10	160	170	2500
A-3107M-10-200	A-3107S-10-200	10	200	210	2500
A-3107M-10-250	A-3107S-10-250	10	250	260	2500





订购型号 A-3111

- 材质: 碳钢 (M) / 不锈钢 (S)
- 表面处理: 镀铬/抛光
- 特性: 用途广泛, 装配方便
- 用途: 工业自动化设备、航空、高铁、医疗、通信设备、电柜箱体及其它设备
- Material: Carbon steel (M)/Stainless Steel (S)
- Finish: chrome plating/polishing
- Features: Wide use, easy to assemble
- Applications: industrial automation equipment, aviation, high-speed rail, medical, communication equipment, electrical cabinet and other equipment

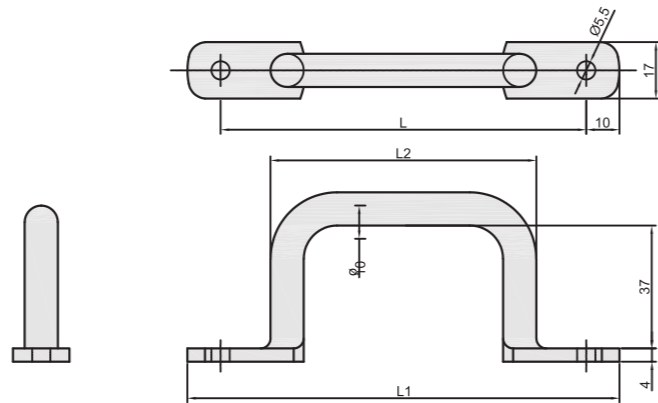


MATERIAL: SUM22L SURFACE FINISH: CHROME PLATED	MATERIAL: SUS304 SURFACE FINISH: MIRROR POLISHING	D	L	H	M	ALLOWABLE LOAD CAPACITY (N)
A-3111M-6-48	A-3111S-6-48	6	48	37	4	3000
A-3111M-6-66	A-3111S-6-66	6	66	37	4	3000
A-3111M-7-68	A-3111S-7-68	7	68	23	5	3000
A-3111M-8-48	A-3111S-8-48	8	48	37	4	3000
A-3111M-8-66	A-3111S-8-66	8	66	37	4	3000
A-3111M-9-48	A-3111S-9-48	9	48	37	4	3000
A-3111M-9-66	A-3111S-9-66	9	66	37	4	3000



订购型号 A-3112

- 材质: 碳钢 (M) / 不锈钢 (S)
- 表面处理: 镀铬/抛光
- 特性: 用途广泛, 装配方便
- 用途: 工业自动化设备、航空、高铁、医疗、通信设备、电柜箱体及其它设备
- Material: Carbon steel (M)/Stainless Steel (S)
- Surface treatment: Chrome plating/polishing
- Features: Widely used, easy to assemble
- Applications: industrial automation equipment, aviation, high-speed rail, medical, communication equipment, electrical cabinet and other equipment

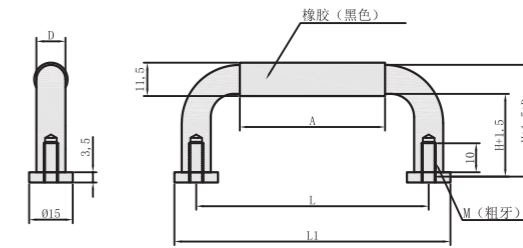


MATERIAL: IRON SURFACE FINISH: CHROME PLATED	MATERIAL: SUS304 SURFACE FINISH: MIRROR POLISHING	L	L1	L2
A-3112M-L110	A-3112S-L110	110	130	80
A-3112M-L120	A-3112S-L120	120	140	90
A-3112M-L125	A-3112S-L125	125	145	95
A-3112M-L160	A-3112S-L160	160	180	130
A-3112M-L200	A-3112S-L200	200	220	170
A-3112M-L250	A-3112S-L250	250	270	220



订购型号 A-3114

- 材质: 碳钢 (M) / 不锈钢 (S)
- 表面处理: 镀铬/抛光
- 特性: 耐腐蚀性优异, 外形独特, 装配方便
- 用途: 工业自动化设备、航空、高铁、医疗、通信设备、电柜箱体及其它设备
- Material: Carbon steel (M)/Stainless Steel (S)
- Finish: chrome plating/polishing
- Features: Excellent corrosion resistance, unique shape, easy assembly
- Applications: industrial automation equipment, aviation, high-speed rail, medical, communication equipment, electrical cabinet and other equipment



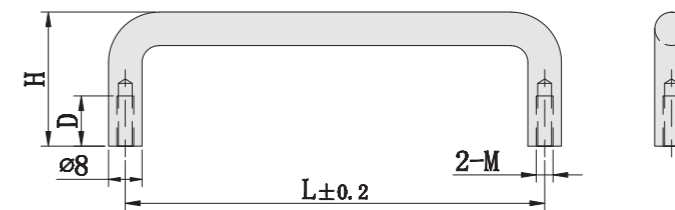
MATERIAL: SUM22L SURFACE FINISH: CHROME PLATED	MATERIAL: SUS304+RUBBER SURFACE FINISH: MIRROR POLISHING	D	L	H	WASHER SELECTION IS ONLY FOR PRODUCTS WITH WASHERS	L1	M	A	ALLOWABLE LOAD CAPACITY (N)
A-3114M-10-80-27	A-3114S-10-80-27	10	80	27		90	S	50	2500
A-3114M-10-80-50	A-3114S-10-80-50	10	80	50		90	S	50	
A-3114M-10-100-27	A-3114S-10-100-27	10	100	27		110	S	70	
A-3114M-10-100-50	A-3114S-10-100-50	10	100	50		110	S	70	
A-3114M-10-110-27	A-3114S-10-110-27	10	110	27		120	S	80	
A-3114M-10-110-50	A-3114S-10-110-50	10	110	50		120	S	80	
A-3114M-10-120-27	A-3114S-10-120-27	10	120	27		130	S	90	
A-3114M-10-120-50	A-3114S-10-120-50	10	120	50		130	S	90	
A-3114M-10-125-27	A-3114S-10-125-27	10	125	27		135	S	95	
A-3114M-10-125-50	A-3114S-10-125-50	10	125	50		135	S	95	
A-3114M-10-160-27	A-3114S-10-160-27	10	160	27		170	S	130	
A-3114M-10-160-50	A-3114S-10-160-50	10	160	50		170	S	130	
A-3114M-10-200-27	A-3114S-10-200-27	10	200	27		210	S	170	
A-3114M-10-200-50	A-3114S-10-200-50	10	200	50		210	S	170	
A-3114M-10-250-27	A-3114S-10-250-27	10	250	27		260	S	220	
A-3114M-10-250-50	A-3114S-10-250-50	10	250	50		260	S	220	



订购型号 A-111S

- 材质: 不锈钢 (S)
- 表面处理: 研磨
- 特性: 耐腐蚀性优异, 外形独特, 装配方便
- 用途: 工业自动化设备、航空、高铁、医疗、通信设备、电柜箱体及其它设备

- Material: Stainless steel (S)
- Surface treatment: grinding
- Characteristics: excellent corrosion resistance, unique shape and fitting with convenient
- Applications: industrial automation equipment, aviation, high-speed rail, medical, communication equipment, electrical cabinet and other equipment



K  
脚轮系列

G  
气弹簧系列

KC  
脚杯系列

A  
拉手系列

B  
合页系列

C  
磁吸/磁吸扣系列

P  
旋钮系列

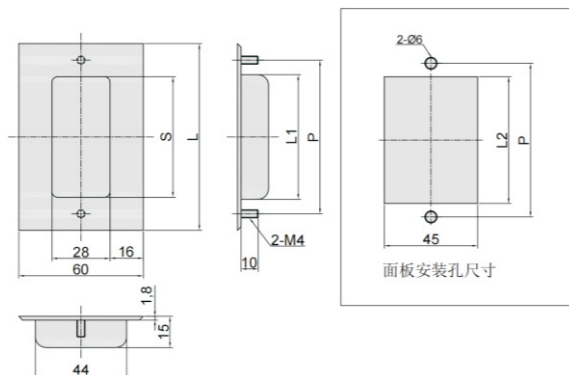
X  
锁具系列



订购型号 A-1153S

- 材质: 不锈钢 (S)
- 表面处理: 拉丝
- 特性: 耐腐蚀性优异, 外形独特, 装配方便。
- 用途: 工业自动化设备、航空、高铁、医疗、通信设备、电柜箱体及其它设备

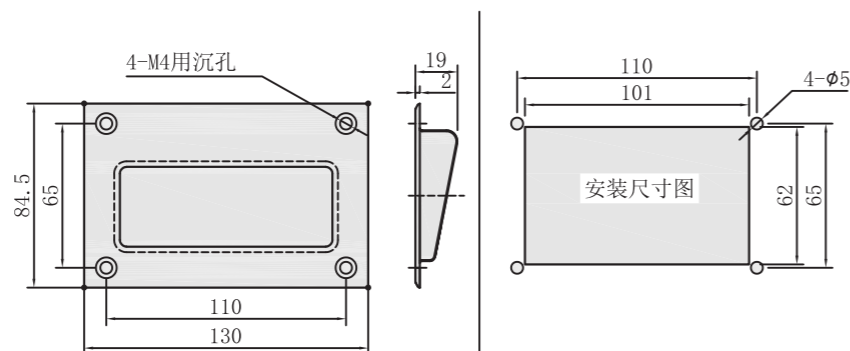
- Material: Stainless steel (S)
- Surface treatment: grinding
- Characteristics: excellent corrosion resistance, unique shape and fittingWith convenient.
- Applications: industrial automation equipment, aviation, high-speed rail, medical, communication equipment, electrical cabinet and other equipment



订购型号 A-1181S

- 材质: 不锈钢 (S)
- 表面处理: 拉丝
- 特性: 耐腐蚀性优异, 外形独特, 装配方便。
- 用途: 工业自动化设备、航空、高铁、医疗、通信设备、电柜箱体及其它设备

- Material: Stainless steel (S)
- Surface treatment: grinding
- Characteristics: excellent corrosion resistance, unique shape and fittingWith convenient.
- Applications: industrial automation equipment, aviation, high-speed rail, medical, communication equipment, electrical cabinet and other equipment



K  
脚轮系列

G  
气弹簧系列

KC  
脚杯系列

A  
拉手系列

B  
合页系列

C  
磁吸/磁吸扣系列

P  
旋钮系列

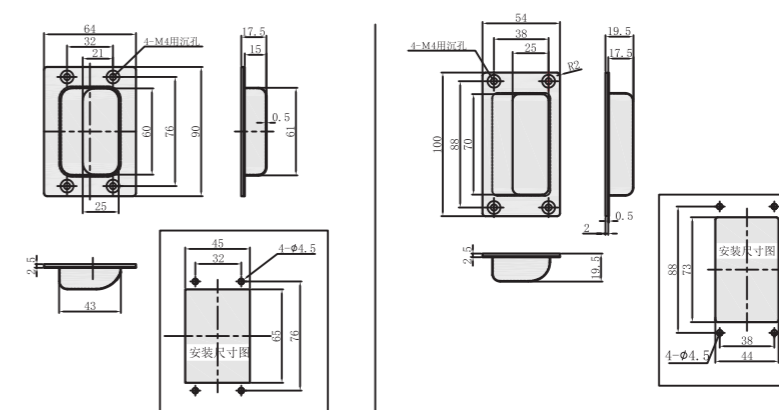
X  
锁具系列



订购型号 A-1190S

- 材质: 不锈钢 (S)
- 表面处理: 拉丝
- 特性: 耐腐蚀性优异, 外形独特, 装配方便。
- 用途: 工业自动化设备、航空、高铁、医疗、通信设备、电柜箱体及其它设备

- Material: Stainless steel (S)
- Surface treatment: grinding
- Characteristics: excellent corrosion resistance, unique shape and fittingWith convenient.
- Applications: industrial automation equipment, aviation, high-speed rail, medical, communication equipment, electrical cabinet and other equipment



型号: A-1190-2S

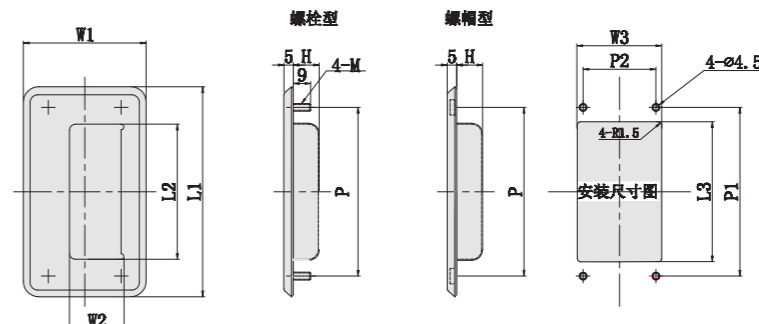
型号: A-1190-3S



订购型号 A-1191N

- 材质: 不锈钢 (S)
- 表面处理: 拉丝
- 特性: 耐腐蚀性优异, 外形独特, 装配方便。
- 用途: 工业自动化设备、航空、高铁、医疗、通信设备、电柜箱体及其它设备

- Material: Stainless steel (S)
- Surface treatment: grinding
- Characteristics: excellent corrosion resistance, unique shape and fittingWith convenient.
- Applications: industrial automation equipment, aviation, high-speed rail, medical, communication equipment, electrical cabinet and other equipment



K 脚轮系列

G 气弹簧系列

KC 脚杯系列

A 拉手系列

B 合页系列

C 磁吸/磁吸扣系列

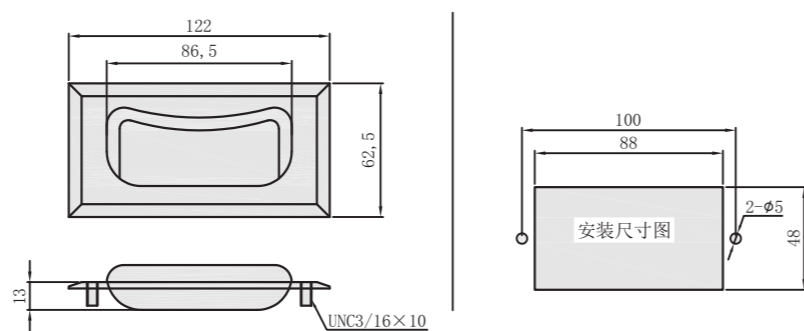
P 旋钮系列

X 锁具系列



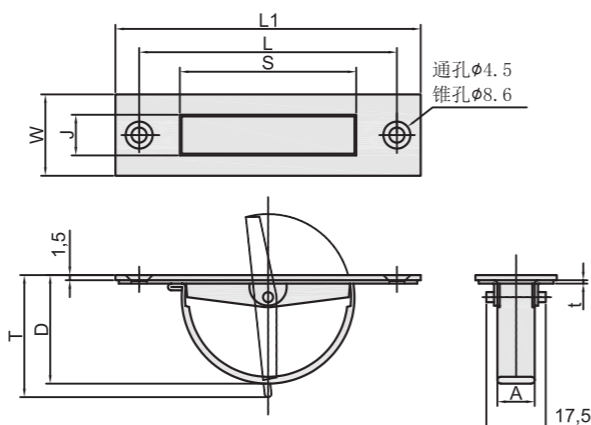
订购型号 A-1192S

- 材质: 不锈钢 (S)
- 表面处理: 拉丝
- 特性: 耐腐蚀性优异, 外形独特, 装配方便。
- 用途: 工业自动化设备、航空、高铁、医疗、通信设备、电柜箱体及其它设备
- Material: Stainless steel (S)
- Surface treatment: grinding
- Characteristics: excellent corrosion resistance, unique shape and fitting with convenient
- Applications: industrial automation equipment, aviation, high-speed rail, medical, communication equipment, electrical cabinet and other equipment



订购型号 A-3005S

- 材质: 不锈钢 (S)
- 表面处理: 发纹拉丝
- 特性: 耐腐蚀性优异, 外形独特, 装配方便。
- 用途: 工业自动化设备、航空、高铁、医疗、通信设备、电柜箱体及其它设备
- Material: Stainless steel (S)
- Surface treatment: hair line drawing
- Features: Excellent corrosion resistance, unique appearance, easy assembly.
- Applications: industrial automation equipment, aviation, high-speed rail, medical, communication equipment, electrical cabinet and other equipment



SURFACE FINISH: SURFACE DRAWING	L	W	L1	S	J	D	T	T	A	L2	WEIGHT (G)
A-3005S-L76	76	24	90	52	12	32	36	1	11	60	49
A-3005S-L94	94	24	110	64	12	38	42	1	11	74	59
A-3005S-L115	115	25	135	90	12.2	50	55	1	12	102	88

K 脚轮系列

G 气弹簧系列

KC 脚杯系列

A 拉手系列

B 合页系列

C 磁吸/磁吸扣系列

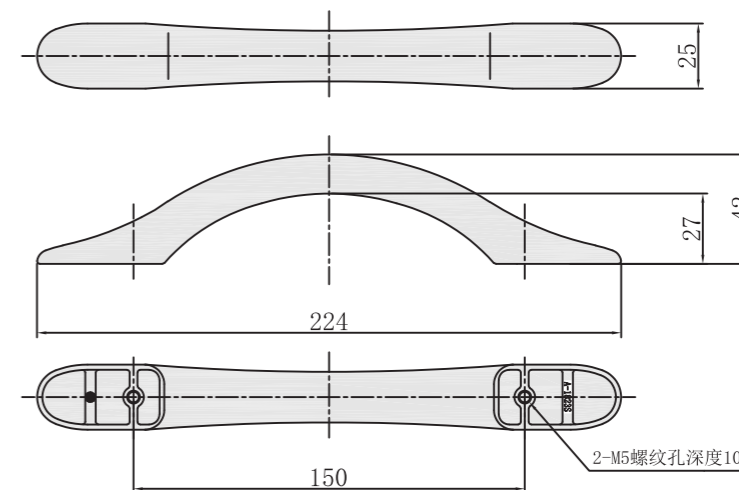
P 旋钮系列

X 锁具系列



订购型号 A-1823S

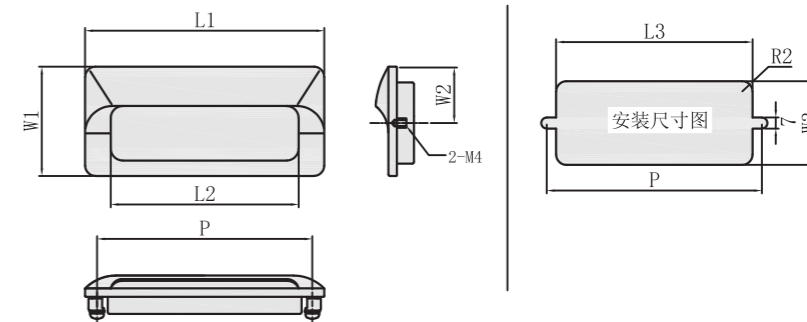
- 材质: 精铸不锈钢 (S)
- 表面处理: 抛光
- 特性: 耐腐蚀性优异, 外形独特, 装配方便。
- 用途: 工业自动化设备、航空、高铁、医疗、通信设备、电柜箱体及其它设备
- Material: Investment cast stainless steel (S)
- Surface treatment: polishing
- Features: Excellent corrosion resistance, unique appearance, easy assembly.
- Applications: industrial automation equipment, aviation, high-speed rail, medical, communication equipment, electrical cabinet and other equipment



订购型号 A-183Z

- 材质: 锌合金+塑料
- 表面处理: 镀铬
- 特性: 嵌入式塑料拉手, 方便装配,
- 用途: 工业自动化设备、航空、高铁、医疗、通信设备、电柜箱体及其它设备

- Material: Zinc alloy + plastic
- Surface treatment: chrome plating
- Features: embedded plastic handle, easy to assemble.
- Applications: industrial automation equipment, aviation, high-speed rail, medical, communication equipment, electrical cabinet and other equipment



MODEL NO.	L1	L2	L3	W1	W2	W3	P
A-183Z-1	140	108	116	64	33	48	126
A-183Z-2	110	82	90	50	26	36	96



# Equipment Handles

批量订单  
请电询交货日期

库存品

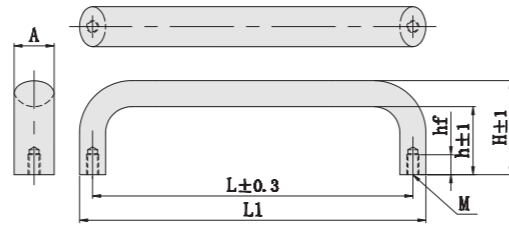
CAD 2D  
3D

RoHS



订购型号 A-260\*A

- 材质: 铝合金
- 表面处理: 滚筒抛光(G)/喷沙氧化(S)
- 特性: 铝合金轻型把手, 美观简洁,
- 用途: 工业自动化设备、航空、高铁、医疗、通信设备、电柜箱体及其它设备
- Material: Aluminum alloy
- Surface treatment: Roller polishing (G)/ sandblasting oxidation (S)
- Features: Aluminum alloy light handle, beautiful and simple,
- Applications: industrial automation equipment, aviation, high-speed rail, medical, communication equipment, electrical cabinet and other equipment



# Equipment Handles

批量订单  
请电询交货日期

库存品

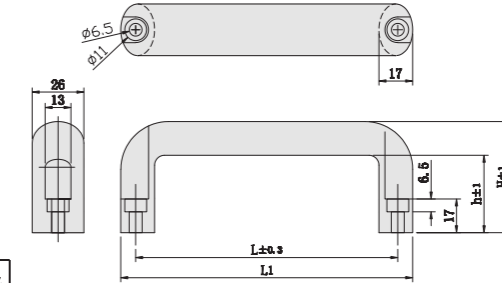
CAD 2D  
3D

RoHS



订购型号 A-2603A

- 材质: 铝合金
- 表面处理: 滚筒抛光(G)/喷沙氧化(S)抛光氧化 (P)
- 特性: 铝合金轻型把手, 美观简洁,
- 用途: 工业自动化设备、航空、高铁、医疗、通信设备、电柜箱体及其它设备
- Material: Aluminum alloy
- Surface treatment: Roller polishing (G)/ sandblasting oxidation (S)
- Features: Aluminum alloy light handle, beautiful and simple,
- Applications: industrial automation equipment, aviation, high-speed rail, medical, communication equipment, electrical cabinet and other equipment

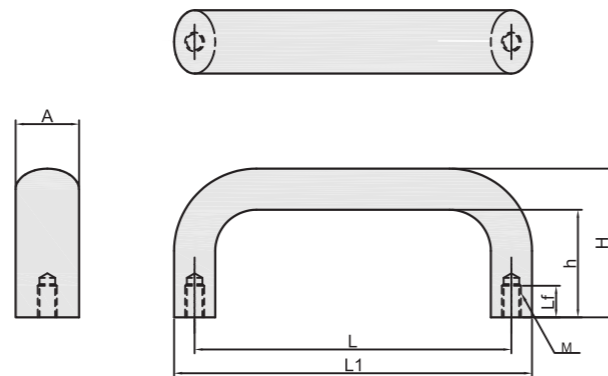


MODEL NO.			L	L1	H	H	ALLOWABLE LOAD CAPACITY (N)
SURFACE FINISH: TUMBLING	SURFACE FINISH: SANDBLAST ANODIZING	SURFACE FINISH: POLISHING OXIDATION					
A-2603A L100-G	A-2603A L100-S	A-2603A L100-P	100	114	47	30	1200
A-2603A L116-G	A-2603A L116-S	A-2603A L116-P	116	130	53	36	1200
A-2603A L132-G	A-2603A L132-S	A-2603A L132-P	132	146	55	38	800
A-2603A L150-G	A-2603A L150-S	A-2603A L150-P	150	164	67	50	600
A-2603A L164-G	A-2603A L164-S	A-2603A L164-P	164	178	57	40	600
A-2603A L196-G	A-2603A L196-S	A-2603A L196-P	196	210	57	40	600



订购型号 A-2601S

- 材质: 精铸不锈钢 (S)
- 表面处理: 喷砂
- 特性: 外形独特, 装配方便。
- 用途: 工业自动化设备、航空、高铁、医疗、通信设备、电柜箱体及其它设备
- Material: Investment cast stainless steel (S)
- Surface treatment: sandblasting
- Features: unique appearance, easy assembly.
- Applications: industrial automation equipment, aviation, high-speed rail, medical, communication equipment, electrical cabinet and other equipment

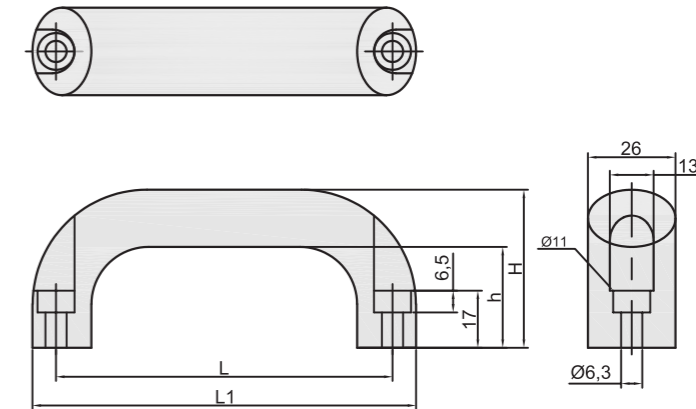


MATERIAL: SUS304 SURFACE FINISH: SAND BLASTING	A	L	L1	LF	H	H	M	ALLOWABLE LOAD CAPACITY (N)
A-2601S-L100	20	100	113	10	47	34	M6	1100
A-2601S-L112	20	112	125	10	49	36	M6	1100
A-2601S-L120	20	120	133	10	51	38	M6	700
A-2601S-L128	20	128	141	10	51	38	M6	600
A-2601S-L160	20	160	173	10	51	38	M6	470
A-2602S-L112	26	112	129	12	53	36	M8	2300
A-2602S-L120	26	120	137	12	55	38	M8	1400
A-2602S-L128	26	128	145	12	55	38	M8	1200
A-2602S-L160	26	160	177	12	57	40	M8	600
A-2602S-L180	26	180	197	12	57	40	M8	500
A-2602S-L192	26	192	209	12	57	40	M8	470
A-2602S-L300	26	300	317	12	57	40	M8	470
A-2602S-L350	26	350	367	12	57	40	M8	380
A-2602S-L400	26	400	417	12	57	40	M8	300



订购型号 A-2603S

- 材质: 不锈钢 (S)
- 表面处理: 喷砂
- 特性: 外形独特, 装配方便。
- 用途: 工业自动化设备、航空、高铁、医疗、通信设备、电柜箱体及其它设备
- Material: Stainless steel (S)/carbon steel (M)
- Surface treatment: sandblasting/chrome plating
- Features: unique appearance, easy assembly.
- Applications: industrial automation equipment, aviation, high-speed rail, medical, communication equipment, electrical cabinet and other equipment



MATERIAL: SUS304 SURFACE FINISH: SAND BLASTING	L	L1	H	H	ALLOWABLE LOAD CAPACITY (N)
A-2603S-L100	100	114	47	30	1200
A-2603S-L116	116	130	53	36	1200
A-2603S-L132	132	146	55	38	800
A-2603S-L150	150	164	67	50	600
A-2603S-L164	164	178	57	40	600
A-2603S-L196	196	210	57	40	390

# Equipment Handles

批量订单  
请电询交货日期

库存品

CAD 2D  
3D

RoHS

# Equipment Handles

批量订单  
请电询交货日期

库存品

CAD 2D  
3D

RoHS

K  
脚轮系列

G  
气弹簧系列

KC  
脚杯系列

A  
拉手系列

B  
合页系列

C  
磁吸/磁吸扣系列

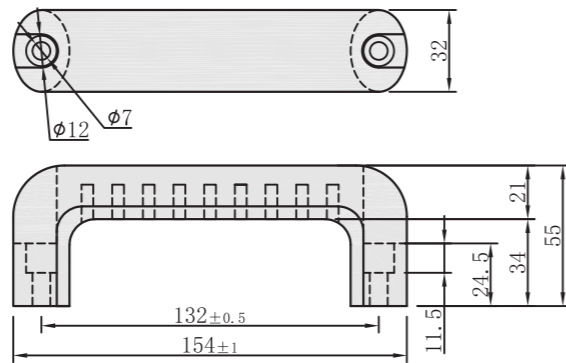
P  
旋钮系列

X  
锁具系列



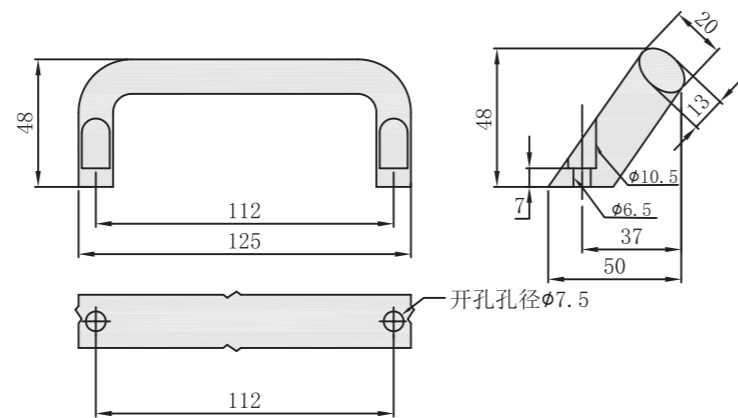
订购型号 AP-2603

- 材质: 防静电尼龙加纤
- 表面处理: 黑色
- 特性: 防静电塑料拉手, 广泛用于电子设备, 手柄结实, 用途广泛, 装配方便。
- 用途: 工业自动化设备、航空、高铁、医疗、通信设备、电柜箱体及其它设备
- Material: anti-static nylon fiber
- Surface finish: black
- Features: Anti-static plastic handle, widely used in electronic equipment, strong handle, use Extensive, convenient assembly.
- Applications: industrial automation equipment, aviation, high-speed rail, medical, communication equipment, electrical cabinet and other equipment



订购型号 A-2604A

- 材质: 铝 (A)
- 表面处理: 氧化
- 特性: 耐腐蚀性优异, 外形独特, 装配方便。
- 用途: 工业自动化设备、航空、高铁、医疗、通信设备、电柜箱体及其它设备
- Material: Stainless steel (S) + rubber
- Finish: Brushed + black
- Features: Excellent corrosion resistance, unique shape, easy assembly.
- Applications: industrial automation equipment, aviation, high-speed rail, medical, communication equipment, electrical cabinet and other equipment



K  
脚轮系列

G  
气弹簧系列

KC  
脚杯系列

A  
拉手系列

B  
合页系列

C  
磁吸/磁吸扣系列

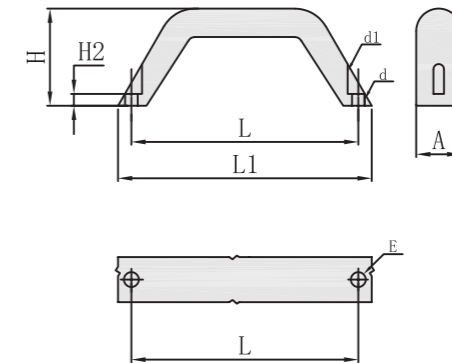
P  
旋钮系列

X  
锁具系列



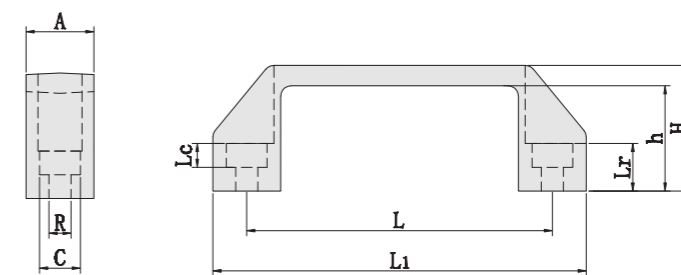
订购型号 A-2605A

- 材质: 铝 (A)
- 表面处理: 氧化
- 特性: 用途广泛, 装配方便。
- 用途: 工业自动化设备、航空、高铁、医疗、通信设备、电柜箱体及其它设备
- Material: Stainless steel (S)
- Surface treatment: wire drawing/polishing
- Features: Widely used, easy to assemble.
- Applications: industrial automation equipment, aviation, high-speed rail, medical, communication equipment, electrical cabinet and other equipment



订购型号 A-2606P

- 材质: 尼龙
- 表面处理: 黑色
- 特性: 尼龙拉手, 广泛用于电子设备, 手柄结实, 用途广泛, 装配方便。
- 用途: 工业自动化设备、航空、高铁、医疗、通信设备、电柜箱体及其它设备
- Material: nylon
- Surface treatment: black
- Characteristics: nylon handle, widely used in electronic equipment, handle strong, versatile, assembly convenient.
- Applications: industrial automation equipment, aviation, high-speed rail, medical, communication equipment, electrical cabinet and other equipment



# Equipment Handles

批量订单  
请电询交货日期

库存品

CAD 2D  
3D

K  
脚轮系列

G  
气弹簧系列

KC  
脚杯系列

A  
拉手系列

B  
合页系列

C  
磁吸/磁吸扣系列

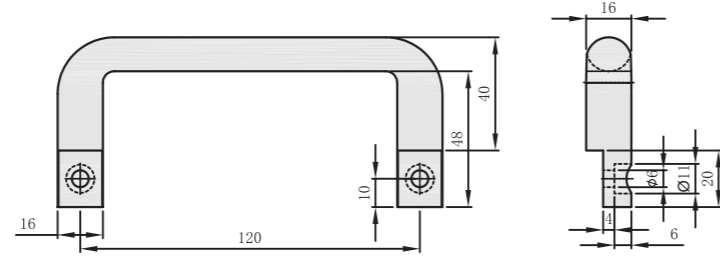
P  
旋钮系列

X  
锁具系列



订购型号 A-40S

- Material: Investment cast stainless steel (S)
- Surface treatment: Mirror finish
- Features: Excellent corrosion resistance, unique shape, easy assembly.
- Applications: industrial automation equipment, aviation, high-speed rail, medical, communication equipment, electrical cabinet and other equipment



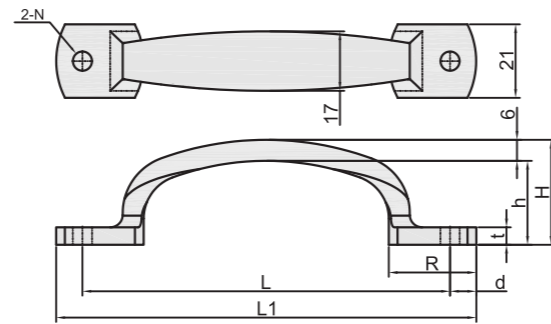
MODEL NO.	MATERIAL	SURFACE FINISH	L	ALLOWABLE LOAD CAPACITY (N)	WEIGHT (G)
A-40S-L120	SUS304	POLISHING	120	500	270



订购型号 A-41S

- 材质: 精铸不锈钢 (S)
- 表面处理: 抛光
- 特性: 耐腐蚀性优异, 外形独特, 装配方便。
- 用途: 工业自动化设备、航空、高铁、医疗、通信设备、电柜箱体及其它设备

- Material: Investment cast stainless steel (S)
- Surface treatment: polishing
- Features: Excellent corrosion resistance, unique appearance, easy assembly.
- Applications: industrial automation equipment, aviation, high-speed rail, medical, communication equipment, electrical cabinet and other equipment



MODEL NO.	L	L1	H	H	T	R	D	N	ALLOWABLE LOAD CAPACITY (N)
A-41S-L105	105	120	30	24	5	25	7.5	5.5	500
A-41S-L115	115	130	33	27	5	26	7.5	5.5	
A-41S-L125	125	145	34	28	5.5	30	10	6.5	

# Equipment Handles

批量订单  
请电询交货日期

库存品

CAD 2D  
3D

K  
脚轮系列

G  
气弹簧系列

KC  
脚杯系列

A  
拉手系列

B  
合页系列

C  
磁吸/磁吸扣系列

P  
旋钮系列

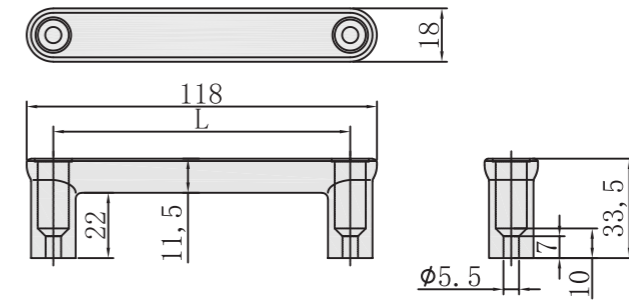
X  
锁具系列



订购型号 A-42

- 材质: 不锈钢 (S) / 铝合金
- 表面处理: 抛光/喷漆
- 特性: 耐腐蚀性优异, 外形独特, 装配方便。
- 用途: 工业自动化设备、航空、高铁、医疗、通信设备、电柜箱体及其它设备

- Material: Stainless Steel (S)/Aluminum alloy
- Surface treatment: Polishing/painting
- Features: Excellent corrosion resistance, unique shape, easy assembly.
- Applications: industrial automation equipment, aviation, high-speed rail, medical, communication equipment, electrical cabinet and other equipment



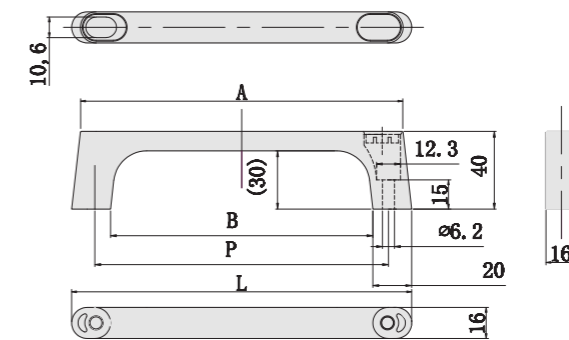
MODEL NO.	HANDLE		END CAP		L	FLAT-HEADED BOLT
	MATERIAL	SURFACE FINISH	MATERIAL	COLOUR		
A-42S	SUS304	POLISHING	ABS	WHITE	100	M5
A-42A	ALUMINIUM	SPRAYING	ABS	WHITE	100	M5



订购型号 A-43Z

- 材质: 锌合金
- 表面处理: 镀珍珠铬
- 特性: 锌合金轻型把手, 美观简洁,
- 用途: 工业自动化设备、航空、高铁、医疗、通信设备、电柜箱体及其它设备

- Material: Zinc alloy
- Surface treatment: Pearl chrome plated
- Features: Zinc alloy light handle, beautiful and simple.
- Applications: industrial automation equipment, aviation, high-speed rail, medical, communication equipment, electrical cabinet and other equipment



# Equipment Handles

批量订单  
请电询交货日期

库存品

CAD 2D  
3D

# Equipment Handles

批量订单  
请电询交货日期

库存品

CAD 2D  
3D



# Equipment Handles

批量订单  
请电询交货日期

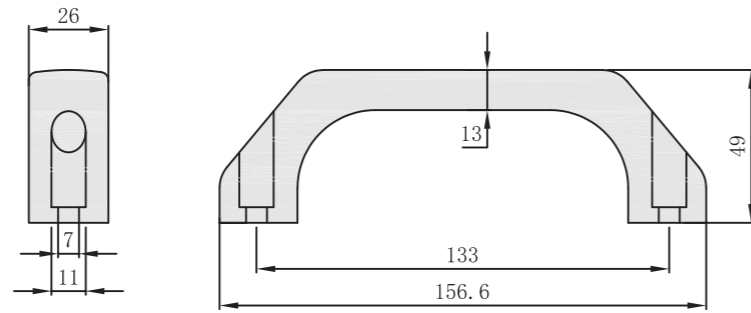
库存品

CAD 2D  
3D



订购型号 A-2610P

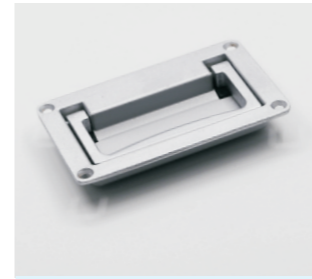
- 材质: 尼龙
- 表面处理: 黑色
- 特性: 尼龙拉手, 广泛用于电子设备, 手柄结实, 用途广泛, 装配方便。
- 用途: 工业自动化设备、航空、高铁、医疗、通信设备、电柜箱体及其它设备
- Material: nylon
- Surface treatment: black
- Characteristics: nylon handle, widely used in electronic equipment, handle strong, versatile, assembly convenient.
- Applications: industrial automation equipment, aviation, high-speed rail, medical, communication equipment, electrical cabinet and other equipment



- K 脚轮系列
- G 气弹簧系列
- KC 脚杯系列
- A 拉手系列**
- B 合页系列
- C 磁吸/磁吸扣系列
- P 旋钮系列
- X 锁具系列

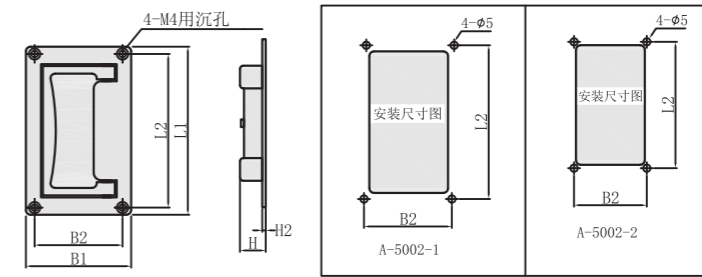
# Equipment Handles

批量订单  
请电询交货日期



订购型号 A-5002Z

- 材质: 锌合金
- 表面处理: 喷沙镀铬
- 特性: 锌合金可折叠嵌入式拉手, 可暗藏, 适用于箱体, 不占空间
- 用途: 工业自动化设备、航空、高铁、医疗、通信设备、电柜箱体及其它设备
- Material: zinc alloy
- Surface treatment: sandblasted chrome plating
- Features: Zinc alloy folding embedded handle, can be darkCollect, apply to the box body, do not occupy space
- Applications: industrial automation equipment, aviation, high-speed rail, medical, communication equipment, electrical cabinet and other equipment

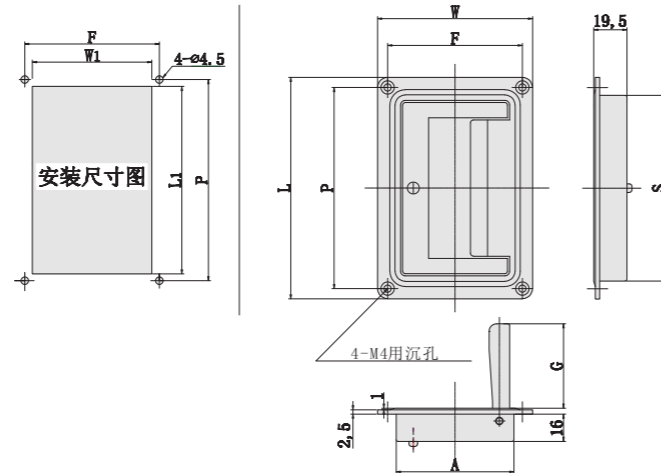


- K 脚轮系列
- G 气弹簧系列
- KC 脚杯系列
- A 拉手系列**
- B 合页系列
- C 磁吸/磁吸扣系列
- P 旋钮系列
- X 锁具系列



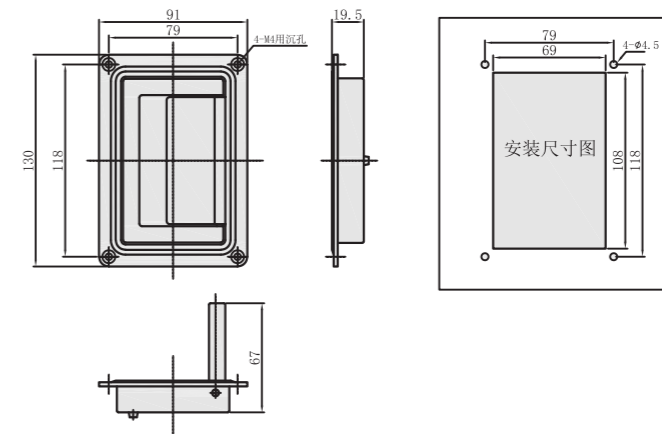
订购型号 A-5001A

- 材质: 铝合金
- 表面处理: 喷漆
- 特性: 嵌入式拉手, 不占空间, 装配方便。
- 用途: 工业自动化设备、航空、高铁、通信设备、电柜箱体及其它设备
- Material: Aluminum alloy
- Surface treatment: spray paint
- Features: Embedded handle, does not occupy space, easy to assemble.
- Application: industrial automation equipment, aviation, high-speed railway, communication equipment, electrical cabinet and other equipment



订购型号 A-5003Z

- 材质: 锌合金
- 表面处理: 喷无光黑
- 特性: 锌合金可折叠嵌入式拉手, 可暗藏, 适用于箱体, 不占空间
- 用途: 工业自动化设备、航空、高铁、医疗、通信设备、电柜箱体及其它设备
- Material: zinc alloy
- Surface treatment: sandblasted chrome plating
- Features: Zinc alloy folding embedded handle, can be darkCollect, apply to the box body, do not occupy space
- Applications: industrial automation equipment, aviation, high-speed rail, medical, communication equipment, electrical cabinet and other equipment



批量订单  
请电询交货日期

库存品

CAD 2D  
3D

批量订单  
请电询交货日期

# Equipment Handles

批量订单  
请电询交货日期

库存品

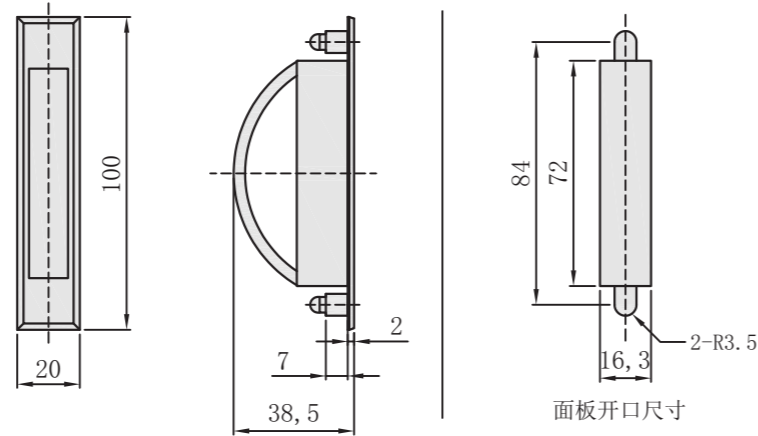
CAD 2D 3D



订购型号 A-5005Z

- 材质: 锌合金
- 表面处理: 喷沙镀铬
- 特性: 锌合金可180度旋转式拉手, 美观大方, 不占空间;
- 用途: 工业自动化设备、航空、高铁、医疗、通信设备、电柜箱体及其它设备

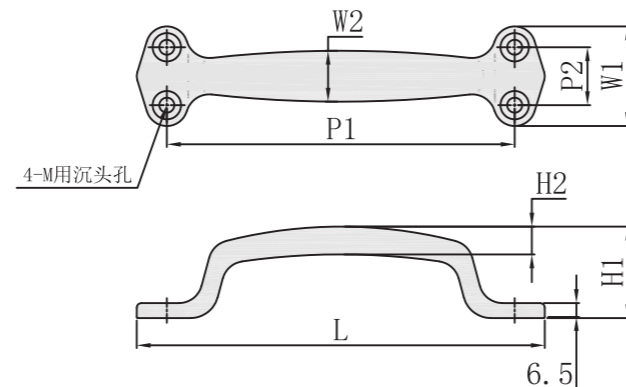
- Material: zinc alloy
- Surface treatment: sandblasted chrome plating
- Features: Zinc alloy can be 180 degrees rotary handle, beautiful and generous, does not occupy space;
- Applications: industrial automation equipment, aviation, high-speed rail, medical, communication equipment, electrical cabinet and other equipment



订购型号 A-69Z

- 材质: 锌合金
- 表面处理: 镀铬
- 特性: 耐腐蚀性优异, 外形独特, 装配方便。
- 用途: 工业自动化设备、航空、高铁、医疗、通信设备、电柜箱体及其它设备

- Material: zinc alloy
- Finish: chrome plating
- Features: Excellent corrosion resistance, unique shape, easy assembly.
- Applications: industrial automation equipment, aviation, high-speed rail, medical, communication equipment, electrical cabinet and other equipment



# Equipment Handles

批量订单  
请电询交货日期

库存品

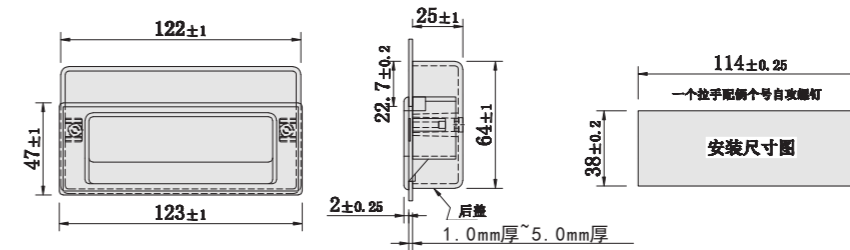
CAD 2D 3D



订购型号 AP-1130-1P

- 材质: 塑料
- 表面处理: 黑色
- 特性: 嵌入式塑料拉手, 方便装配,
- 用途: 工业自动化设备、航空、高铁、医疗、通信设备、电柜箱体及其它设备

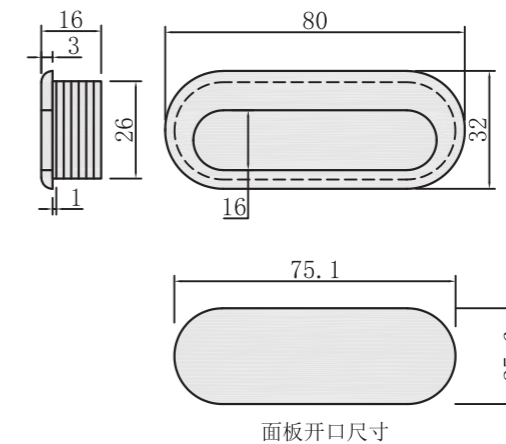
- Material: Plastic
- Surface finish: black
- Features: embedded plastic handle, easy to assemble,
- Applications: industrial automation equipment, aviation, high-speed rail, medical, communication equipment, electrical cabinet and other equipment



订购型号 AP-1157P

- 材质: 塑料
- 表面处理: 黑色
- 特性: 嵌入式塑料拉手, 方便装配,
- 用途: 工业自动化设备、航空、高铁、医疗、通信设备、电柜箱体及其它设备

- Material: Plastic
- Surface finish: black
- Features: embedded plastic handle, easy to assemble,
- Applications: industrial automation equipment, aviation, high-speed rail, medical, communication equipment, electrical cabinet and other equipment



注: 适用板厚0-3mm, 具体要求以试装为准

批量订单  
请电询交货日期

库存品

CAD 2D 3D

批量订单  
请电询交货日期

库存品

CAD 2D 3D

K  
脚轮系列

G  
气弹簧系列

KC  
脚杯系列

A  
拉手系列

B  
合页系列

C  
磁吸/磁吸扣系列

P  
旋钮系列

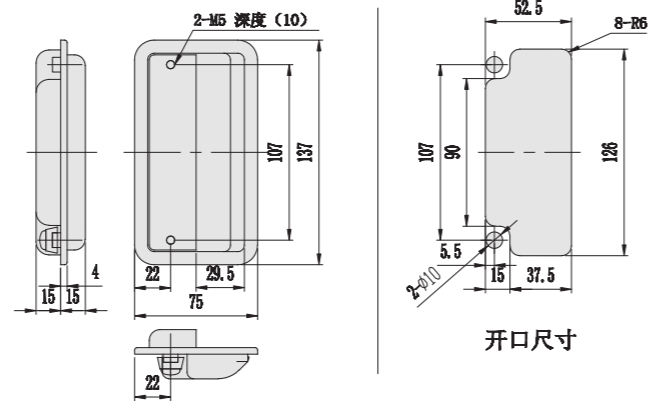
X  
锁具系列



订购型号 AP-182P

- 材质: 塑料
- 表面处理: 黑色
- 特性: 嵌入式塑料拉手, 方便装配,
- 用途: 工业自动化设备、航空、高铁、医疗、通信设备、电柜箱体及其它设备

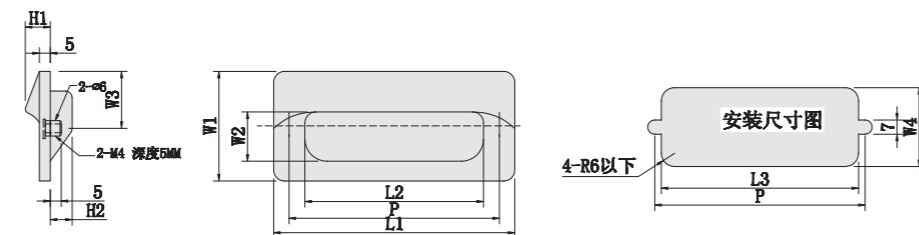
- Material: Plastic
- Surface finish: black
- Features: embedded plastic handle, easy to assemble,
- Applications: industrial automation equipment, aviation, high-speed rail, medical, communication equipment, electrical cabinet and other equipment



订购型号 AP-183P

- 材质: 塑料
- 表面处理: 黑色
- 特性: 嵌入式塑料拉手, 方便装配,
- 用途: 工业自动化设备、航空、高铁、医疗、通信设备、电柜箱体及其它设备

- Material: Plastic
- Surface finish: black
- Features: embedded plastic handle, easy to assemble,
- Applications: industrial automation equipment, aviation, high-speed rail, medical, communication equipment, electrical cabinet and other equipment



MODEL NO.	L1	L2	L3	W1	W2	W3	P
A-183Z-1	140	108	116	64	33	48	126
A-183Z-2	110	82	90	50	26	36	96

K  
脚轮系列

G  
气弹簧系列

KC  
脚杯系列

A  
拉手系列

B  
合页系列

C  
磁吸/磁吸扣系列

P  
旋钮系列

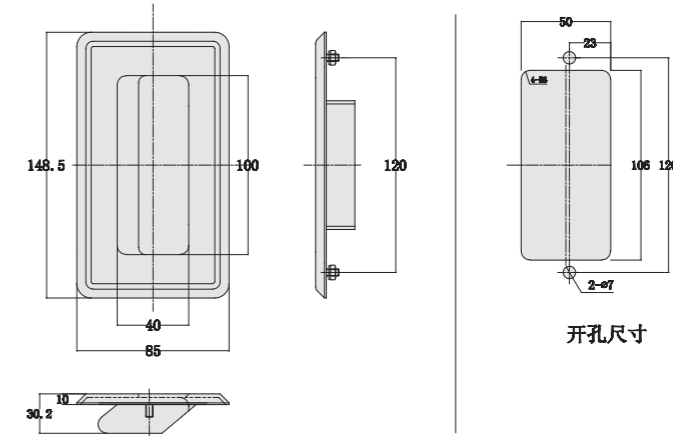
X  
锁具系列



订购型号 AP-191P

- 材质: 塑料
- 表面处理: 黑色
- 特性: 嵌入式塑料拉手, 方便装配,
- 用途: 工业自动化设备、航空、高铁、医疗、通信设备、电柜箱体及其它设备

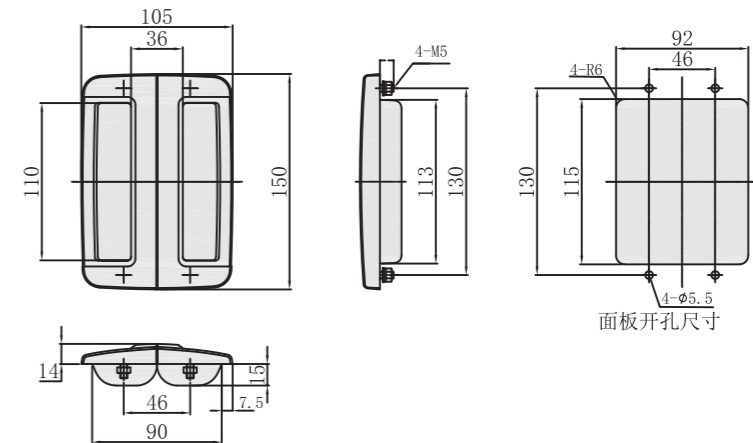
- Material: Plastic
- Surface finish: black
- Features: embedded plastic handle, easy to assemble,
- Applications: industrial automation equipment, aviation, high-speed rail, medical, communication equipment, electrical cabinet and other equipment



订购型号 AP-192-W

- 材质: ABS树脂
- 表面处理: 镀铬
- 特性: 外形独特, 装配方便,
- 用途: 工业自动化设备、航空、高铁、医疗、通信设备、电柜箱体及其它设备

- Material: ABS resin
- Surface treatment: Chrome plating
- Features: unique appearance, easy assembly,
- Applications: industrial automation equipment, aviation, high-speed rail, medical, communication equipment, electrical cabinet and other equipment





# Equipment Handles

批量订单  
请电询交货日期

库存品

CAD 2D 3D

K  
脚轮系列

G  
气弹簧系列

KC  
脚杯系列

A  
拉手系列

B  
合页系列

C  
磁吸/磁吸扣系列

P  
旋钮系列

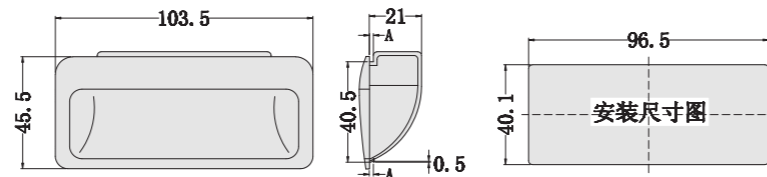
X  
锁具系列



订购型号 AP-197P

- 材质: 塑料
- 表面处理: 黑色/灰色
- 特性: 嵌入式塑料拉手, 方便装配,
- 用途: 工业自动化设备、航空、高铁、医疗、通信设备、电柜箱体及其它设备

- Material: Plastic
- Surface finish: black/gray
- Features: embedded plastic handle, easy to assemble,
- Applications: industrial automation equipment, aviation, high-speed rail, medical, communication equipment, electrical cabinet and other equipment



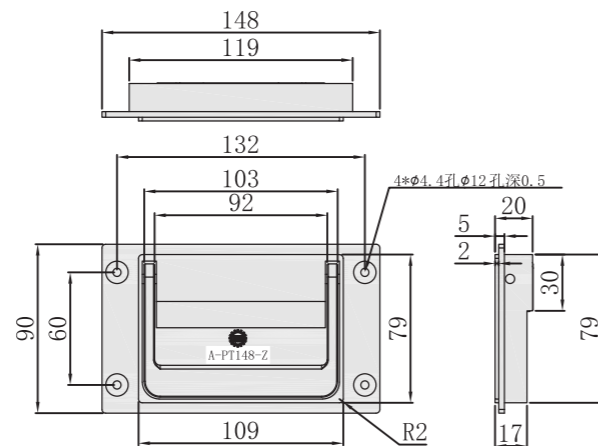
MODEL NO.	COLOUR	THICKNESS(A)
AP-197-1-2P-B	BLACK	1.2
AP-197-1-2P-H	GREY	1.2
AP-197-1-3P-B	BLACK	1.5
AP-197-1-3P-H	GREY	1.5



订购型号 A-PT148-Z

- 材质: 锌合金
- 表面处理: 喷黑色漆
- 特性: 耐腐蚀性优异, 外形独特, 装配方便。
- 用途: 工业自动化设备、航空、高铁、医疗、通信设备、电柜箱体及其它设备

- Material: zinc alloy
- Finish: Spray black paint
- Features: Excellent corrosion resistance, unique appearance, easy assembly.
- Applications: industrial automation equipment, aviation, high-speed rail, medical, communication equipment, electrical cabinet and other equipment



# Equipment Handles

批量订单  
请电询交货日期

库存品

CAD 2D 3D

K  
脚轮系列

G  
气弹簧系列

KC  
脚杯系列

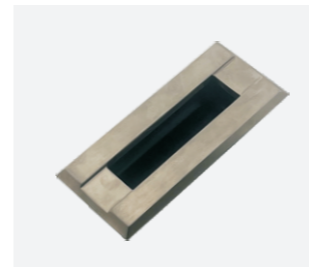
A  
拉手系列

B  
合页系列

C  
磁吸/磁吸扣系列

P  
旋钮系列

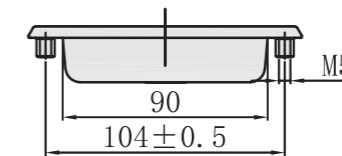
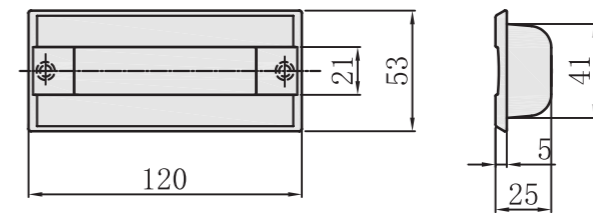
X  
锁具系列



订购型号 A-UD120S

- 材质: 不锈钢 (S)
- 表面处理: 拉丝处理/抛光
- 特性: 用途广泛, 装配方便。
- 用途: 工业自动化设备、航空、高铁、医疗、通信设备、电柜箱体及其它设备

- Material: Stainless steel (S)
- Surface treatment: wire drawing/polishing
- Features: Widely used, easy to assemble.
- Applications: industrial automation equipment, aviation, high-speed rail, medical, communication equipment, electrical cabinet and other equipment



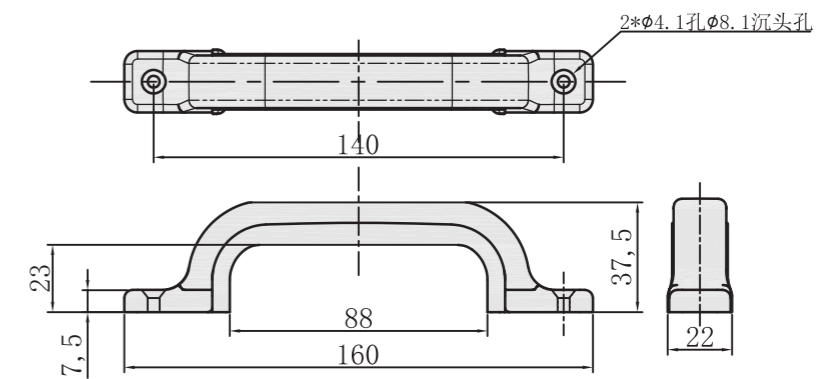
备注: 适用门厚0.5-3.2mm



订购型号 A-US160S

- 材质: 不锈钢 (S) + 橡胶
- 表面处理: 拉丝+黑色
- 特性: 耐腐蚀性优异, 外形独特, 装配方便。
- 用途: 工业自动化设备、航空、高铁、通信设备、电柜箱体及其它设备

- Material: Stainless steel (S) + rubber
- Finish: Brushed + black
- Features: Excellent corrosion resistance, unique shape, easy assembly.
- Applications: industrial automation equipment, aviation, high-speed rail, medical, communication equipment, electrical cabinet and other equipment



# Equipment Handles

批量订单  
请电询交货日期

库存品

CAD 2D 3D

# Equipment Handles

批量订单  
请电询交货日期

库存品

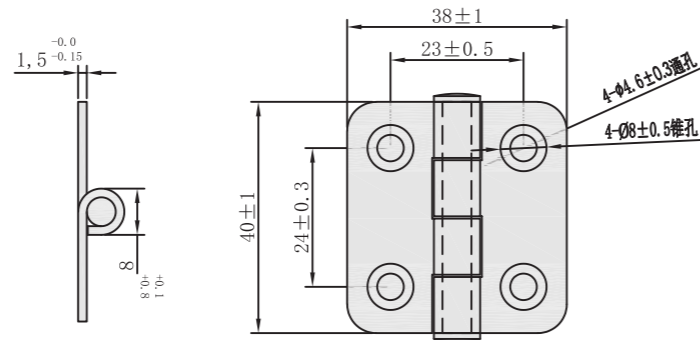
CAD 2D 3D

- K 脚轮系列
- G 气弹簧系列
- KC 脚杯系列
- A 拉手系列
- B 合页系列**
- C 磁吸/磁扣/磁扣系列
- P 旋钮系列
- X 锁具系列



- 材质: 不锈钢
- 表面处理: 研磨
- 特性: 耐腐蚀性优异, 外形独特, 装配方便。
- 用途: 工业自动化设备、航空、高铁、医疗通信设备、电柜箱体及其它设备

- Material: Bakelite
- Surface finish: black
- Features: Flat top star knob, good fire retardant performance, heat conductionLow, wide range of use.
- Applications: industrial automation equipment, aviation, high-speed rail, medical communication equipment, electrical cabinet and other equipment



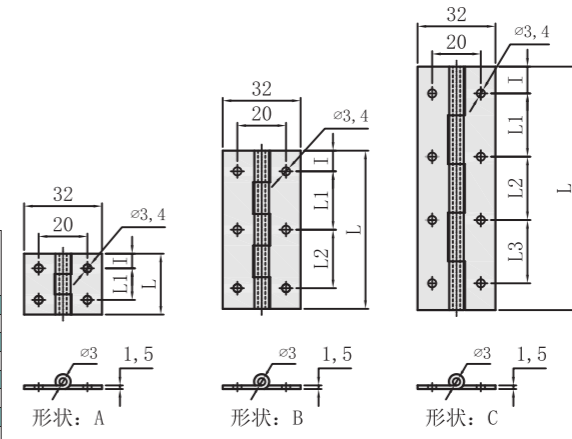
- K 脚轮系列
- G 气弹簧系列
- KC 脚杯系列
- A 拉手系列
- B 合页系列**
- C 磁吸/磁扣/磁扣系列
- P 旋钮系列
- X 锁具系列



- 材质: 不锈钢 (S)
- 表面处理: 振抛/拉丝
- 特性: 耐腐蚀性优异, 外形独特, 装配方便。
- 用途: 工业自动化设备、航空、高铁、医疗通信设备、电柜箱体及其它设备

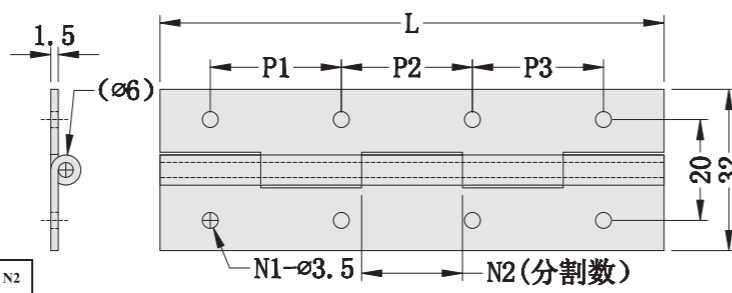
- Material: Stainless steel (S)
- Surface treatment: vibration/wire drawing
- Characteristics: excellent corrosion resistance, unique shape and fittingWith convenient.
- Applications: industrial automation equipment, aviation, high-speed rail, medical communication equipment, electrical cabinet and other equipment

MODEL NO.	SURFACE FINISH: VIBRATION POLISHING	SURFACE FINISH: WIREDRAWING	L	SHAPE	1	L1	L2	L3	SEGMENTS	ALLOWABLE LOAD CAPACITY (N)
B-1028S-25-F	B-1028S-25-S	25	A	6	13	-	-	-	3	28
B-1028S-30-F	B-1028S-30-S	30	A	7	16	-	-	-	3	38
B-1028S-40-F	B-1028S-40-S	40	A	8	24	-	-	-	3	58
B-1028S-50-F	B-1028S-50-S	50	A	10	30	-	-	-	3	68
B-1028S-65-F	B-1028S-65-S	65	B	8.5	24	24	-	-	5	98
B-1028S-75-F	B-1028S-75-S	75	B	9.5	28	28	-	-	5	108
B-1028S-90-F	B-1028S-90-S	90	B	10	35	35	-	-	5	128
B-1028S-100-F	B-1028S-100-S	100	C	11	26	26	26	-	5	147



- 材质: 不锈钢 (S)
- 表面处理: 研磨
- 特性: 耐腐蚀性优异, 外形独特, 装配方便。
- 用途: 工业自动化设备、航空、高铁、医疗通信设备、电柜箱体及其它设备

- Material: Stainless steel (S)
- Surface treatment: grinding
- Characteristics: excellent corrosion resistance, unique shape and fittingWith convenient.
- Applications: industrial automation equipment, aviation, high-speed rail, medical communication equipment, electrical cabinet and other equipment



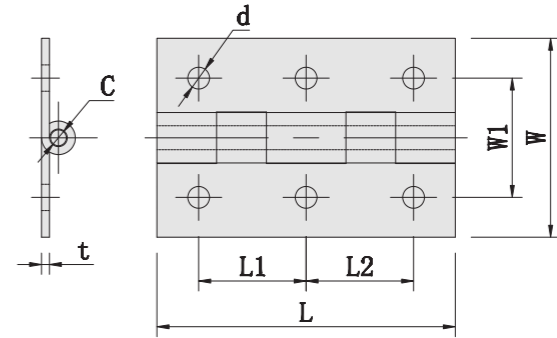
MODEL NO.	L	P1	P2	P3	N1	N2
B-1027-10S	25	13	/	/	4	3
B-1027-11S	30	16	/	/	4	3
B-1027-13S	50	30	/	/	4	3
B-1027-15S	65	24	24	/	6	5
B-1027-19S	100	26	26	26	8	5



- 材质: 不锈钢 (S)
- 表面处理: 振抛/拉丝
- 特性: 耐腐蚀性优异, 外形独特, 装配方便。
- 用途: 工业自动化设备、航空、高铁、医疗通信设备、电柜箱体及其它设备

- Material: Stainless steel (S)
- Surface treatment: vibration/wire drawing
- Characteristics: excellent corrosion resistance, unique shape and fittingWith convenient.
- Applications: industrial automation equipment, aviation, high-speed rail, medical communication equipment, electrical cabinet and other equipment

MODEL NO.	L	W	W1	L1	L2	C	T	D	SEGMENTS	ALLOWABLE LOAD CAPACITY (N)
B-1029S-40-S	40	30	22	28	-	3	1.5	3.5	3	58
B-1029S-50-S	50	30	22	36	-	3	1.5	4.5	5	68
B-1029S-65-S	65	50	30	23	23	4	2	4.5	5	127
B-1029S-75-S	75	50	30	27	27	4	2	5.5	5	147



K  
脚轮系列

G  
气弹簧系列

KC  
脚杯系列

A  
拉手系列

B  
合页系列

C  
磁吸/磁扣/磁扣系列

P  
旋钮系列

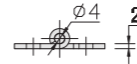
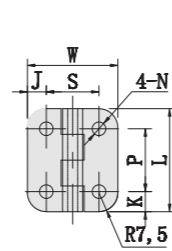
X  
锁具系列



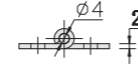
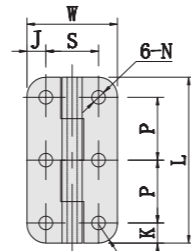
订购型号 B-1030S

- 材质：不锈钢 (S)
- 表面处理：振抛/拉丝
- 特性：耐腐蚀性优异，外形独特，装配方便。
- 用途：工业自动化设备、航空、高铁、医疗通信设备、电柜箱体及其它设备
- Material: Stainless steel (S)
- Surface treatment: vibration/wire drawing
- Characteristics: excellent corrosion resistance, unique shape and fittingWith convenient.
- Applications: industrial automation equipment, aviation, high-speed rail, medical communication equipment, electrical cabinet and other equipment

MODEL NO.	ALLOWABLE SURFACE FINISH: VIBRATION/WIREDRAWING	SINGLE HOLE NUMBER	L	W	K	P	J	S	N
80	B-1030S-1S	2	41	36	8	25	7.5	21	5.5
B-1030S-2-P	B-1030S-2S	3	66	8	25	7.5	21	5.5	
110	B-1030S-3S	2	48	48	9	30	8	32	5.5
B-1030S-4-P	B-1030S-4S	3	78	9	30	8	32	5.5	
240	B-1030S-5S	2	89	62	11	37	10	42	6.5
B-1030S-6-P	B-1030S-6S	3	96	11	37	10	42	6.5	
290	B-1030S-7S	2	70	80	13.5	43	16.5	47	6.5
B-1030S-8-P	B-1030S-8S	3	113	13.5	43	16.5	47	6.5	



单侧孔数: 2



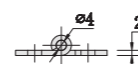
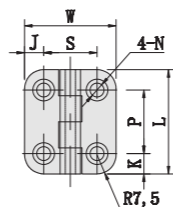
单侧孔数: 3



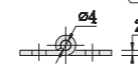
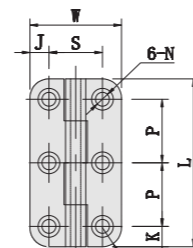
订购型号 B-1031S

- 材质：不锈钢 (S)
- 表面处理：拉丝
- 特性：耐腐蚀性优异，外形独特，装配方便。
- 用途：工业自动化设备、航空、高铁、医疗通信设备、电柜箱体及其它设备
- Material: Stainless steel (S)
- Surface treatment: vibration/wire drawing
- Characteristics: excellent corrosion resistance, unique shape and fittingWith convenient.
- Applications: industrial automation equipment, aviation, high-speed rail, medical communication equipment, electrical cabinet and other equipment

MODEL NO.	SURFACE FINISH: VIBRATION POLISHING	SURFACE FINISH: WIREDRAWING	SINGLE HOLE NUMBER	L	W	K	P	J	S	N	ALLOWABLE LOAD CAPACITY (N)
B-1031S-1-P	B-1031S-1S	2	41	36	8	25	7.5	21			80
B-1031S-2-P	B-1031S-2S	3	66	36	8	25	7.5	21			100
B-1031S-3-P	B-1031S-3S	2	48	48	9	30	8	32			110
B-1031S-4-P	B-1031S-4S	3	78	48	9	30	8	32			140
B-1031S-5-P	B-1031S-5S	2	89	62	11	37	10	42			240
B-1031S-6-P	B-1031S-6S	3	96	62	11	37	10	42			340
B-1031S-7-P	B-1031S-7S	2	70	80	13.5	43	16.5	47			290
B-1031S-8-P	B-1031S-8S	3	113	80	13.5	43	16.5	47			390



单侧孔数: 2



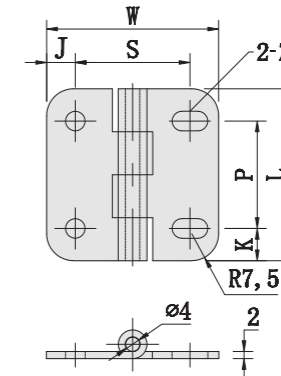
单侧孔数: 3



订购型号 B-1032S

- 材质：不锈钢 (S)
- 表面处理：振抛/拉丝
- 特性：耐腐蚀性优异，外形独特，装配方便。
- 用途：工业自动化设备、航空、高铁、医疗通信设备、电柜箱体及其它设备
- Material: Stainless steel (S)
- Surface treatment: vibration/wire drawing
- Characteristics: excellent corrosion resistance, unique shape and fittingWith convenient.
- Applications: industrial automation equipment, aviation, high-speed rail, medical communication equipment, electrical cabinet and other equipment

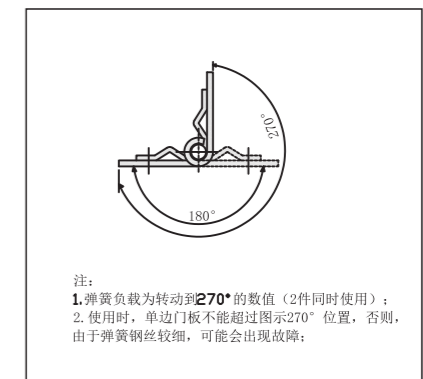
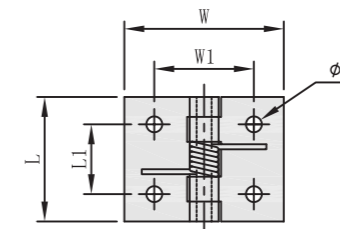
MODEL NO.	SURFACE FINISH: VIBRATION POLISHING	SURFACE FINISH: WIREDRAWING	L	W	K	P	J	S	N	Z	ALLOWABLE LOAD CAPACITY (N)
B-1032S-1P	B-1032S-1S	41	36	8	25	7.5	21	5.5	5.5X6.5	80	
B-1032S-2P	B-1032S-2S	48	48	9	30	8	32	5.5	5.5X10	110	
B-1032S-3P	B-1032S-3S	59	62	11	37	10	42	6.5	6.5X10	240	



订购型号 B-1046S

- 材质：不锈钢 (S)
- 表面处理：研磨
- 特性：耐腐蚀性优异，外形独特，装配方便。
- 用途：工业自动化设备、航空、高铁、医疗通信设备、电柜箱体及其它设备
- Material: Stainless steel (S)
- Surface treatment: grinding
- Characteristics: excellent corrosion resistance, unique shape and fittingWith convenient.
- Applications: industrial automation equipment, aviation, high-speed rail, medical communication equipment, electrical cabinet and other equipment

MODEL NO.	L	W	P1	P2
B-1046S-1S	51	38	25	32
B-1046-2S OLD MODEL NO. B-1046S	38	32	20	26
B-1046-3S	25	32	20	14



注：  
1. 弹簧负载为转动到270°的数值（2件同时使用）；  
2. 使用时，单边门板不能超过图示270°位置，否则，由于弹簧钢丝较细，可能会出现故障；



K 脚轮系列

G 气弹簧系列

KC 脚杯系列

A 拉手系列

**B 合页系列**

C 电磁锁/推扣系列

P 旋钮系列

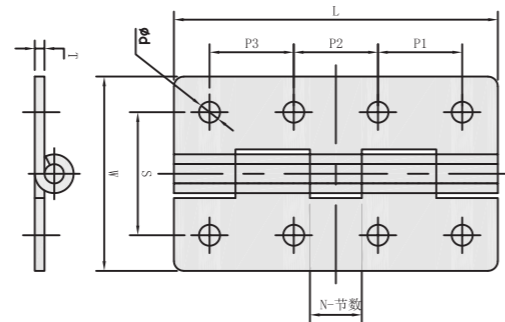
X 锁具系列



- 材质: 不锈钢(S)
- 表面处理: 研磨抛光
- 特性: 耐腐蚀性优异, 外形独特, 装配方便。
- 用途: 工业自动化设备、航空、高铁、医疗通信设备、电柜箱体及其它设备
- Material: Stainless steel (S)
- Surface treatment: Grinding and polishing
- Characteristics: excellent corrosion resistance, unique shape and fittingWith convenient.
- Applications: industrial automation equipment, aviation, high-speed rail, medical communication equipment, electrical cabinet and other equipment

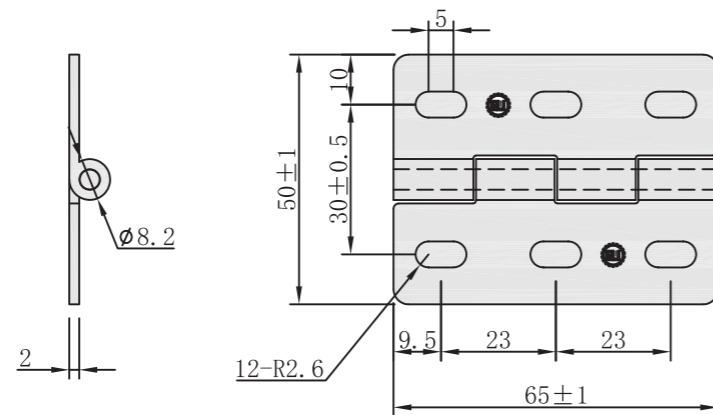
订购型号 B-1078S

MODEL NO.	W	L	S	P1	P2	P3	N	D	T
B-1078S-11	35	40	22	26	/	/	4	3.5	1.5
B-1078S-12	35	50	22	34	/	/	4	4.5	1.5
B-1078S-13	50	65	30	23	23	/	5	4.5	2
B-1078S-14	50	75	30	27	27	/	5	5.5	2
B-1078S-15	60	90	38	35	35	/	5	6.5	3
B-1078S-16	60	100	38	26	26	26	5	6.5	3



- 材质: 不锈钢(S)
- 表面处理: 震动研磨
- 特性: 耐腐蚀性优异, 外形独特, 装配方便。
- 用途: 工业自动化设备、航空、高铁、医疗通信设备、电柜箱体及其它设备
- Material: Stainless steel (S)
- Surface treatment: vibration grinding
- Features: Excellent corrosion resistance, unique shape, easy assembly.
- Applications: Industrial automation equipment, aviation, high-speed rail, medical communication equipment, electrical cabinet and other equipment

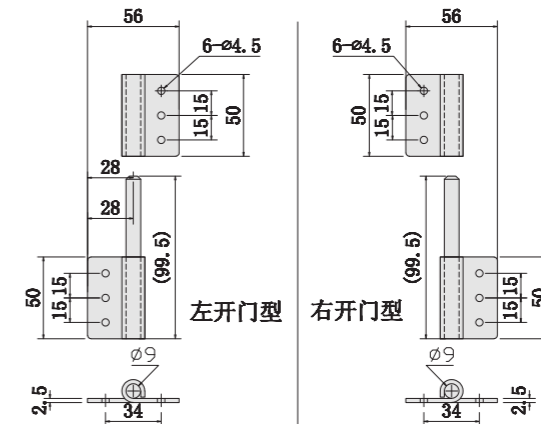
订购型号 B-1078S-13D



- 材质: 不锈钢 (S)
- 表面处理: 研磨
- 特性: 耐腐蚀性优异, 外形独特, 装配方便。
- 用途: 工业自动化设备、航空、高铁、医疗通信设备、电柜箱体及其它设备
- Material: Stainless steel (S)
- Surface treatment: grinding
- Characteristics: excellent corrosion resistance, unique shape and fittingWith convenient.
- Applications: industrial automation equipment, aviation, high-speed rail, medical communication equipment, electrical cabinet and other equipment

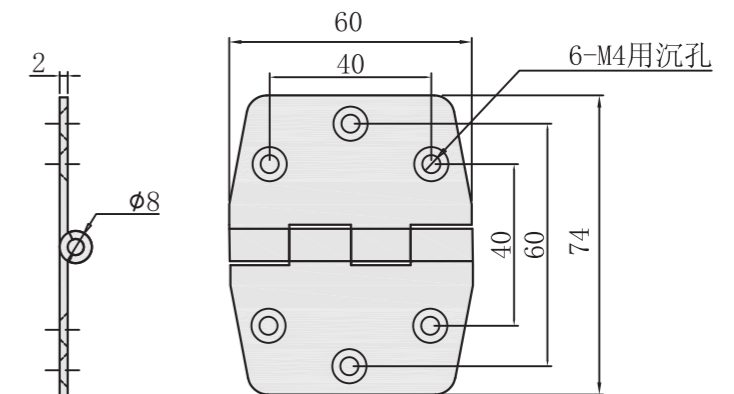
订购型号 B-1103S

MODEL NO.	REMARK
B-1103S-L	LEFT OPENING
B-1103S-R	RIGHT OPENING



- 材质: 不锈钢 (S)
- 表面处理: 研磨
- 特性: 耐腐蚀性优异, 外形独特, 装配方便。
- 用途: 工业自动化设备、航空、高铁、医疗通信设备、电柜箱体及其它设备
- Material: Stainless steel (S)
- Surface treatment: grinding
- Characteristics: excellent corrosion resistance, unique shape and fittingWith convenient.
- Applications: industrial automation equipment, aviation, high-speed rail, medical communication equipment, electrical cabinet and other equipment

订购型号 B-1226S

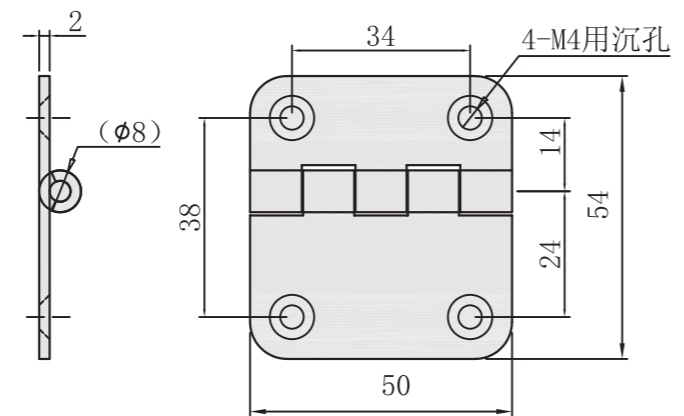


- K 脚轮系列
- G 气弹簧系列
- KC 脚杯系列
- A 拉手系列
- B 合页系列
- C 磁吸/磁扣系列
- P 旋钮系列
- X 锁具系列



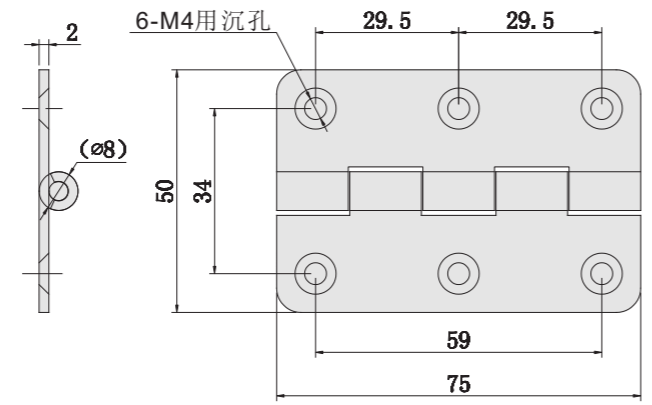
订购型号 B-1234S

- 材质: 不锈钢 (S)
- 表面处理: 研磨
- 特性: 耐腐蚀性优异, 外形独特, 装配方便。
- 用途: 工业自动化设备、航空、高铁、医疗通信设备、电柜箱体及其它设备
- Material: Stainless steel (S)
- Surface treatment: grinding
- Characteristics: excellent corrosion resistance, unique shape and fittingWith convenient.
- Applications: industrial automation equipment, aviation, high-speed rail, medical communication equipment, electrical cabinet and other equipment



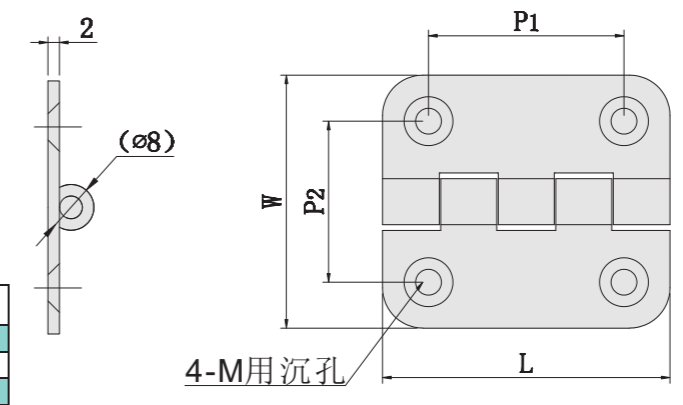
订购型号 B-1369S

- 材质: 不锈钢 (S)
- 表面处理: 研磨
- 特性: 耐腐蚀性优异, 外形独特, 装配方便。
- 用途: 工业自动化设备、航空、高铁、医疗通信设备、电柜箱体及其它设备
- Material: Stainless steel (S)
- Surface treatment: grinding
- Characteristics: excellent corrosion resistance, unique shape and fittingWith convenient.
- Applications: industrial automation equipment, aviation, high-speed rail, medical communication equipment, electrical cabinet and other equipment



订购型号 B-12\*\*S

- 材质: 不锈钢 (S)
- 表面处理: 研磨
- 特性: 耐腐蚀性优异, 外形独特, 装配方便。
- 用途: 工业自动化设备、航空、高铁、医疗通信设备、电柜箱体及其它设备
- Material: Stainless steel (S)
- Surface treatment: grinding
- Characteristics: excellent corrosion resistance, unique shape and fittingWith convenient.
- Applications: industrial automation equipment, aviation, high-speed rail, medical communication equipment, electrical cabinet and other equipment

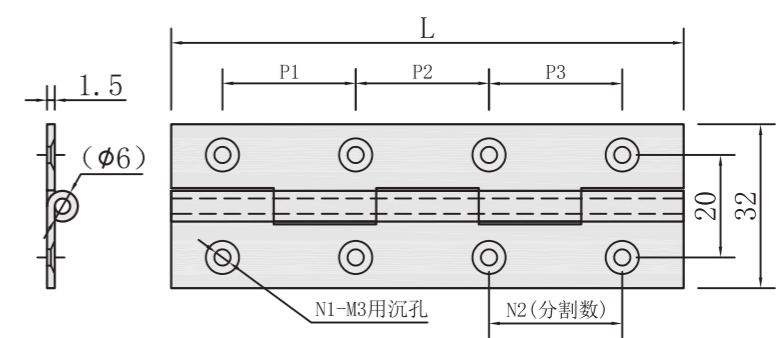


MODEL NO.	L	W	P1	P2	M
B-1224S	36	48	20	36	M4
B-1229S	50	44	34	28	M4
B-1230S	48	48	30	32	M5



订购型号 B-202S

- 材质: 不锈钢 (S)
- 表面处理: 研磨
- 特性: 耐腐蚀性优异, 外形独特, 装配方便。
- 用途: 工业自动化设备、航空、高铁、医疗通信设备、电柜箱体及其它设备
- Material: Stainless steel (S)
- Surface treatment: grinding
- Characteristics: excellent corrosion resistance, unique shape and fittingWith convenient.
- Applications: industrial automation equipment, aviation, high-speed rail, medical communication equipment, electrical cabinet and other equipment



MODEL NO.	L	P1	P2	P3	N1	N2
B-202-0S	25	13	/	/	4	3
B-202-1S	30	16	/	/	4	3
B-202-3S	50	30	/	/	4	3
B-202-5S	65	24	24	/	6	5
B-202-9S	100	26	26	26	8	5

K  
脚轮系列

G  
气弹簧系列

KC  
脚杯系列

A  
拉手系列

B  
合页系列

C  
电磁锁/搭扣系列

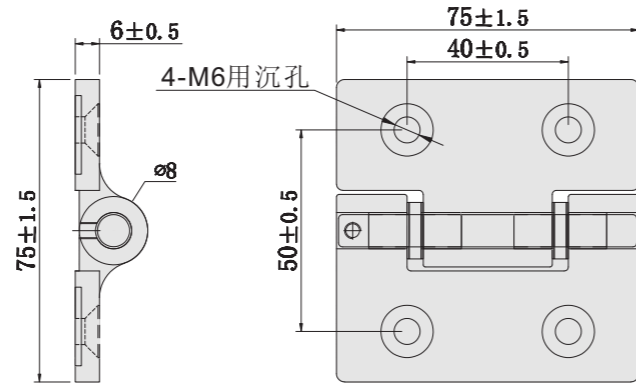
P  
旋钮系列

X  
锁具系列



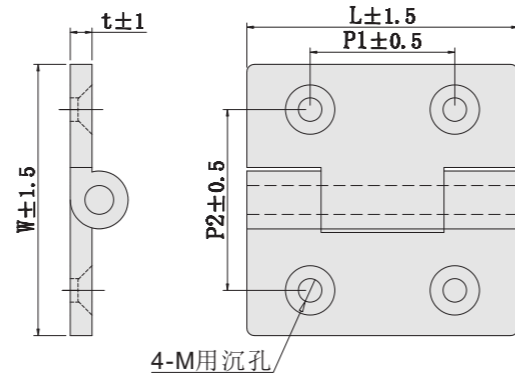
订购型号 B-1064-2J

- 材质：精铸不锈钢 (S)
- 表面处理：抛光
- 特性：耐腐蚀性优异，外形独特，装配方便。
- 用途：工业自动化设备、航空、高铁、医疗通信设备、电柜箱体及其它设备
- Material: Stainless steel (S)
- Surface treatment: grinding
- Characteristics: excellent corrosion resistance, unique shape and fittingWith convenient.
- Applications: industrial automation equipment, aviation, high-speed rail, medical communication equipment, electrical cabinet and other equipment



订购型号 B-1064-SZ

- 材质：精铸不锈钢 (S)
- 表面处理：抛光
- 特性：耐腐蚀性优异，外形独特，装配方便。
- 用途：工业自动化设备、航空、高铁、医疗通信设备、电柜箱体及其它设备
- Material: Stainless steel (S)
- Surface treatment: grinding
- Characteristics: excellent corrosion resistance, unique shape and fittingWith convenient.
- Applications: industrial automation equipment, aviation, high-speed rail, medical communication equipment, electrical cabinet and other equipment



MODEL NO.	SINGLE HOLE QTY	L	W	T	P1	P2	M
B-1064-1SZ	3	100	100	6	30°30	60	M6
B-1064-2SZ	2	75	75	6	40	50	M6
B-1064-3SZ	2	65	65	5	35	40	M4
B-1064-4SZ	2	50	50	5	20	35	M4

K  
脚轮系列

G  
气弹簧系列

KC  
脚杯系列

A  
拉手系列

B  
合页系列

C  
电磁锁/搭扣系列

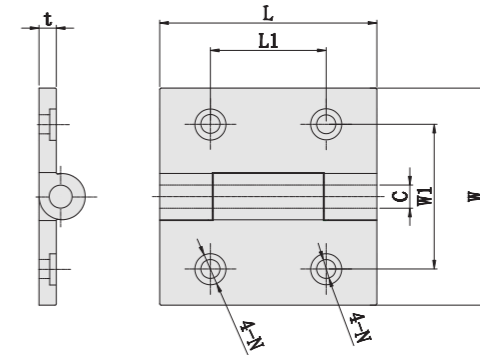
P  
旋钮系列

X  
锁具系列



订购型号 B-1065S

- 材质：精铸不锈钢 (S)
- 表面处理：抛光
- 特性：耐腐蚀性优异，外形独特，装配方便。
- 用途：工业自动化设备、航空、高铁、医疗通信设备、电柜箱体及其它设备
- Material: Stainless steel (S)
- Surface treatment: grinding
- Characteristics: excellent corrosion resistance, unique shape and fittingWith convenient.
- Applications: industrial automation equipment, aviation, high-speed rail, medical communication equipment, electrical cabinet and other equipment

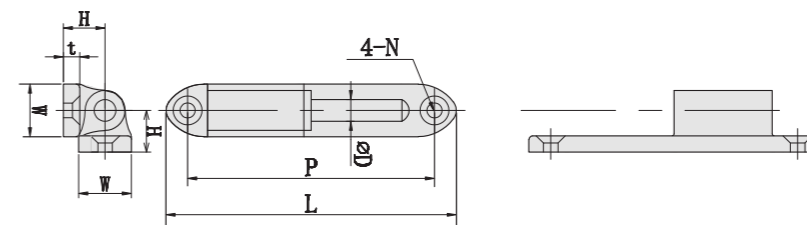


MODEL NO.	L	W	W1	L1	C	C1	N		T	ALLOWABLE LOAD (KGF)
							THROUGH HOLE	COUNTERBORE		
B-1065-4S	50	50	35	20	6	14	4.4	8.6	5	350
B-1065-3S	65	65	40	35	6	14	5.6	10.6	5	450
B-1065-2S	75	75	50	40	8	16	6.6	10.8	6	650



订购型号 B-1066S

- 材质：精铸不锈钢
- 表面处理：抛光
- 特性：精铸不锈钢，装配方便，美观大方
- 用途：工业自动化设备、航空、高铁、医疗通信设备、电柜箱体及其它设备
- Material: cast stainless steel
- Surface treatment: polishing
- Features: cast stainless steel, easy to assemble, beautiful and generous
- Applications: industrial automation equipment, aviation, high-speed rail, medical communication equipment, electrical cabinet and other equipment





K 脚轮系列

G 气弹簧系列

KC 脚杯系列

A 拉手系列

**B 合页系列**

C 电磁锁/搭扣系列

P 旋钮系列

X 锁具系列

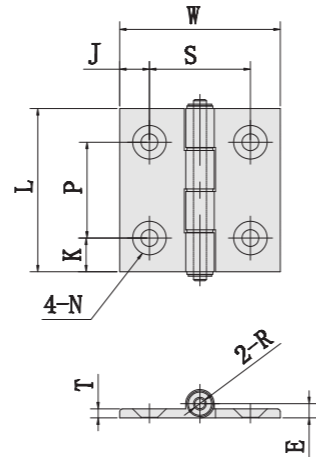


订购型号 B-2001A

- 材质: A6063S-T5 衬套: 聚缩醛
- 表面处理: 喷砂阳极氧化处理
- 标准色: 本色阳极氧化处理/黑色阳极氧化处理
- 特性: 铝合金蝶型铰链, 阳极氧化效果优良, 装配方便, 美观大方。
- 用途: 工业自动化设备、航空、高铁、医疗通信设备、电柜箱体及其它设备

- Material: A6063S-T5 bushing: polyacetal
- Surface treatment: drawing anodic oxidation treatment
- Standard color: natural anodized/black anodized
- Features: aluminum alloy butterfly hinge, excellent anodizing effect, convenient assembly, beautiful and elegant.
- Applications: industrial automation equipment, aviation, high-speed rail, medical communication equipment, electrical cabinet and other equipment

MODEL NO.		ALLOWABLE LOAD(N)		WEIGHT	L	W	K	P	J	S	N		T	E	R
ANODIZING (NATURE COLOUR)	ANODIZING (BLACK)	KGf	N	(G)							THROUGH HOLE	ROUND TAPER HOLE			
B-2001-1A-W	B-2001-1A-B	10	98	22	47	36	11	25	7.5	21	5.5	11	3.8	5	5
B-2001-2A-W	B-2001-2A-B	10	98	30	47	48	8.5	30	8	32	6.5	13	3.8	5.5	5.5
B-2001-3A-W	B-2001-3A-B	10	98	48	63	62	13	37	10	42	6.5	13	3.8	5.5	5.5
B-2001-4A-W	B-2001-4A-B	15	147	70	63	80	10	43	16.5	47	6.5	13	4.5	5.5	5.5

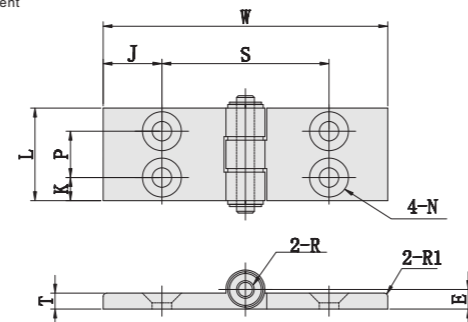


订购型号 B-2002A

- 材质: A6063S-T5 衬套: 聚缩醛
- 表面处理: 喷砂阳极氧化处理
- 标准色: 本色阳极氧化处理/黑色阳极氧化处理
- 特性: 铝合金蝶型铰链, 阳极氧化效果优良, 装配方便, 美观大方。
- 用途: 工业自动化设备、航空、高铁、医疗通信设备、电柜箱体及其它设备

- Material: A6063S-T5 bushing: polyacetal
- Surface treatment: drawing anodic oxidation treatment
- Standard color: natural anodized/black anodized
- Features: aluminum alloy butterfly hinge, excellent anodizing effect, convenient assembly, beautiful and elegant.
- Applications: industrial automation equipment, aviation, high-speed rail, medical communication equipment, electrical cabinet and other equipment

MODEL NO.		ALLOWABLE LOAD(N)		L	W	K	P	J	S	N		T	E	R
ANODIZING (NATURE COLOUR)	ANODIZING (BLACK)	KGf	N							THROUGH HOLE	ROUND TAPER HOLE			
B-2002-1A-W	B-2002-1A-B	10	98	26	36	6.5	13	7.5	21	5.5	10	3.5	5.5	5
B-2002-2A-W	B-2002-2A-B	10	98	26	48	6.5	13	8	32	5.5	11	3.5	5.5	5
B-2002-3A-W	B-2002-3A-B	15	98	26	62	6.5	13	10	42	5.5	11	3.5	5.5	5
B-2002-4A-W	B-2002-4A-B	15	147	26	80	6.5	13	16.5	47	5.5	11	4.5	5.5	5

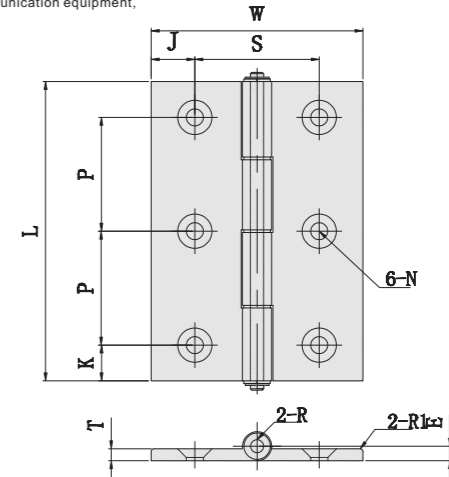


订购型号 B-2003A

- 材质: A6063S-T5 衬套: 聚缩醛
- 表面处理: 喷砂阳极氧化处理
- 标准色: 本色阳极氧化处理/黑色阳极氧化处理
- 特性: 铝合金蝶型铰链, 阳极氧化效果优良, 装配方便, 美观大方。
- 用途: 工业自动化设备、航空、高铁、医疗通信设备、电柜箱体及其它设备

- Material: A6063S-T5 bushing: polyacetal
- Surface treatment: drawing anodic oxidation treatment
- Standard color: natural anodized/black anodized
- Features: aluminum alloy butterfly hinge, excellent anodizing effect, convenient assembly, beautiful and elegant.
- Applications: industrial automation equipment, aviation, high-speed rail, medical communication equipment, electrical cabinet and other equipment

MODEL NO.		ALLOWABLE LOAD(N)		L	W	K	P	J	S	N		T	E	R
ANODIZING (NATURE COLOUR)	ANODIZING (BLACK)	KGf	N							THROUGH HOLE	ROUND TAPER HOLE			
B-2003-1A-W	B-2003-1A-B	15	147	66	36	8	25	7.5	21	5.5	10	3.5	5.5	5
B-2003-2A-W	B-2003-2A-B	15	147	78	48	9	30	8	32	6.5	13	3.5	5.5	5
B-2003-3A-W	B-2003-3A-B	15	147	113	62	13.5	43	10	42	6.5	13	3.5	5.5	5
B-2003-4A-W	B-2003-4A-B	23	220	113	80	13.5	43	16.5	47	6.5	13	4.5	5.5	5

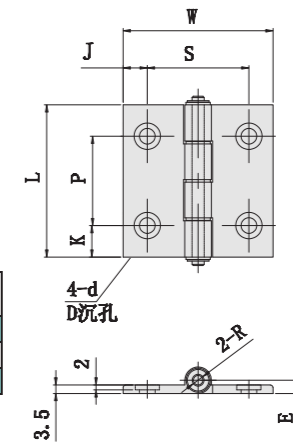


订购型号 B-2005A

- 材质: A6063S-T5 衬套: 聚缩醛
- 表面处理: 喷砂阳极氧化处理
- 标准色: 本色阳极氧化处理/黑色阳极氧化处理
- 特性: 铝合金蝶型铰链, 阳极氧化效果优良, 装配方便, 美观大方。
- 用途: 工业自动化设备、航空、高铁、医疗通信设备、电柜箱体及其它设备

- Material: A6063S-T5 bushing: polyacetal
- Surface treatment: drawing anodic oxidation treatment
- Standard color: natural anodized/black anodized
- Features: aluminum alloy butterfly hinge, excellent anodizing effect, convenient assembly, beautiful and elegant.
- Applications: industrial automation equipment, aviation, high-speed rail, medical communication equipment, electrical cabinet and other equipment

MODEL NO.		ALLOWABLE LOAD (KGf/N)		L	W	K	P	J	S	N		T	E	R
										THROUGH HOLE	COUNTERBORE			
B-2005-1A-W		10	98	47	36	11	25	7.5	21	5.5	10	5.5	5	5
B-2005-2A-W		10	98	47	48	8.5	30	8	32	6.5	11	5.5	5	5
B-2005-3A-W		10	98	63	62	13	37	10	42	6.5	11	5.5	5	5



K  
脚轮系列

G  
气弹簧系列

KC  
脚杯系列

A  
拉手系列

B  
合页系列

C  
电磁锁/搭扣系列

P  
旋钮系列

X  
锁具系列

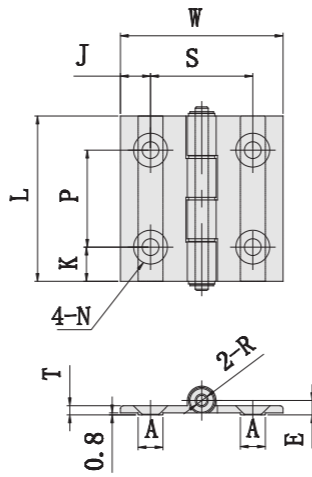


订购型号 B-2006A

- 材质: A6063S-T5 衬套: 聚缩醛
- 表面处理: 喷砂阳极氧化处理
- 标准色: 本色阳极氧化处理/黑色阳极氧化处理
- 特性: 铝合金蝶型铰链, 阳极氧化效果优良, 装配方便, 美观大方。
- 用途: 工业自动化设备、航空、高铁、医疗通信设备、电柜箱体及其它设备

- Material: A6063S-T5 bushing: polyacetal
- Surface treatment: drawing anodic oxidation treatment
- Standard color: natural anodized/black anodized
- Features: aluminum alloy butterfly hinge, excellent anodizing effect, convenient assembly, beautiful and elegant.
- Applications: industrial automation equipment, aviation, high-speed rail, medical communication equipment, electrical cabinet and other equipment

MODEL NO.	ALLOWABLE LOAD (KGF/N)	L	W	K	P	J	S	N		E	A	R	
								THROUGH HOLE	COUNTERBORE				
B-2006-1A-W	10	98	47	36	11	25	7.5	21	5.5	10	5.5	5.5	5
B-2006-2A-W	10	98	47	48	8.5	30	8	32	6.5	13	5.5	7.5	5
B-2006-3A-W	10	98	63	62	13	37	10	42	6.5	13	5.5	9.5	5

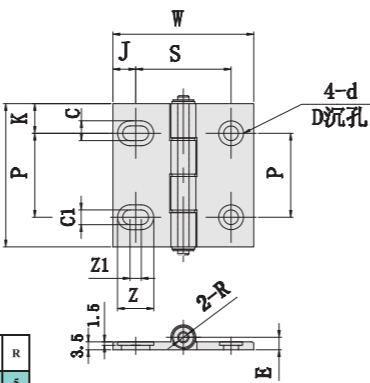


订购型号 B-2007A

- 材质: A6063S-T5 衬套: 聚缩醛
- 表面处理: 喷砂阳极氧化处理
- 标准色: 本色阳极氧化处理/黑色阳极氧化处理
- 特性: 铝合金蝶型铰链, 阳极氧化效果优良, 装配方便, 美观大方。
- 用途: 工业自动化设备、航空、高铁、医疗通信设备、电柜箱体及其它设备

- Material: A6063S-T5 bushing: polyacetal
- Surface treatment: drawing anodic oxidation treatment
- Standard color: natural anodized/black anodized
- Features: aluminum alloy butterfly hinge, excellent anodizing effect, convenient assembly, beautiful and elegant.
- Applications: industrial automation equipment, aviation, high-speed rail, medical communication equipment, electrical cabinet and other equipment

MODEL NO.	ALLOWABLE LOAD (KGF/N)	L	W	K	P	J	S	D		D1	C	C1	Z	Z1	E	R	
								THROUGH HOLE	COUNTERBORE								
B-2007-1A-W	10	98	47	36	11	25	7.5	21	5.5	10	7	10	5.5	11.5	1.5	5.5	5
B-2007-2A-W	10	98	47	48	8.5	30	8	32	6.5	11	9.5	11	6.5	14	3	5.5	5
B-2007-3A-W	10	98	63	62	13	37	10	42	6.5	11	12	11	6.5	16	5	5.5	5



K  
脚轮系列

G  
气弹簧系列

KC  
脚杯系列

A  
拉手系列

B  
合页系列

C  
电磁锁/搭扣系列

P  
旋钮系列

X  
锁具系列

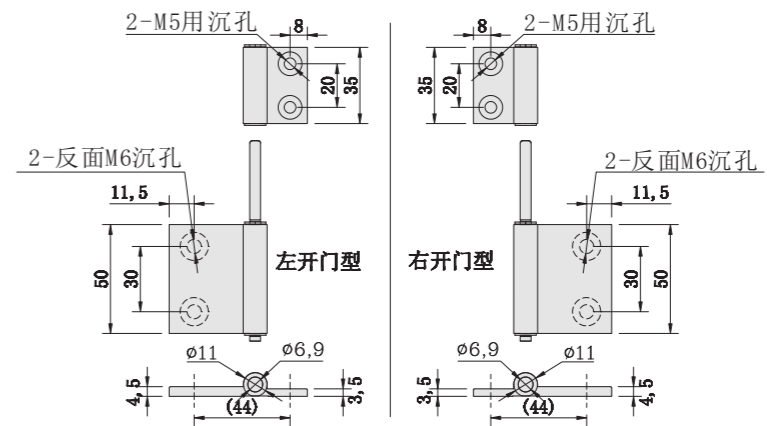


订购型号 B-1104A

- 材质: 铝合金
- 表面处理: 氧化本色
- 特性: 铝合金铰链, 装配方便, 美观大方
- 用途: 工业自动化设备、航空、高铁、医疗通信设备、电柜箱体及其它设备

- Material: Aluminum alloy
- Surface treatment: oxidized color
- Features: Aluminum alloy hinge, easy to assemble, beautiful and generous
- Applications: industrial automation equipment, aviation, high-speed rail, medical communication equipment, electrical cabinet and other equipment

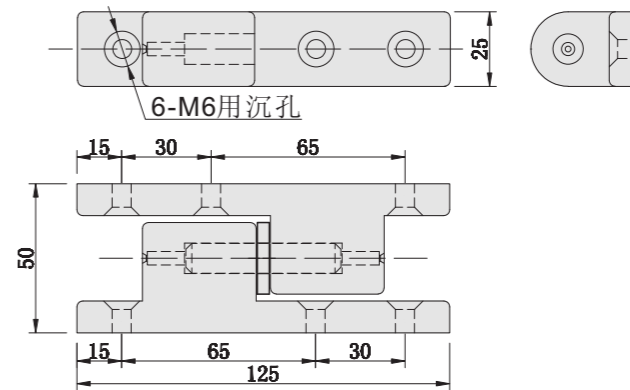
MODEL NO.	REMARK
B-1104A-L	LEFT OPENING
B-1104A-R	RIGHT OPENING



订购型号 B-FB-717-2Z

- 材质: 锌合金
- 表面处理: 镀亮铬
- 特性: 锌合金铰链, 装配方便, 美观大方。
- 用途: 工业自动化设备、航空、高铁、医疗通信设备、电柜箱体及其它设备

- Material: zinc alloy
- Surface treatment: Bright chrome plating
- Features: Zinc alloy hinge, easy to assemble, beautiful and generous.
- Applications: industrial automation equipment, aviation, high-speed rail, medical communication equipment, electrical cabinet and other equipment



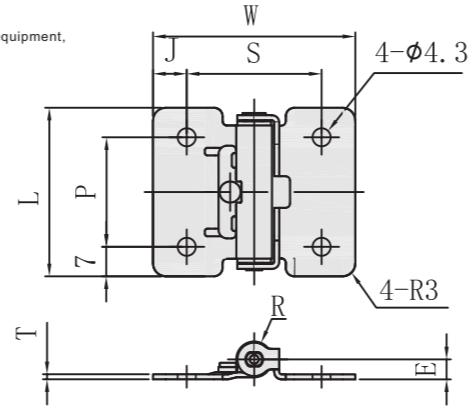
- K 脚轮系列
- G 气弹簧系列
- KC 脚杯系列
- A 拉手系列
- B 合页系列**
- C 磁吸/磁扣系列
- P 旋钮系列
- X 锁具系列



订购型号 B-2118S

- 材质: 不锈钢 (S)
- 表面处理: 研磨
- 特性: 耐腐蚀性优异, 外形独特, 装配方便。
- 用途: 工业自动化设备、航空、高铁、医疗通信设备、电柜箱体及其它设备
- Material: Stainless steel (S)
- Surface treatment: grinding
- Characteristics: excellent corrosion resistance, unique shape and fitting with convenient.
- Applications: industrial automation equipment, aviation, high-speed rail, medical communication equipment, electrical cabinet and other equipment

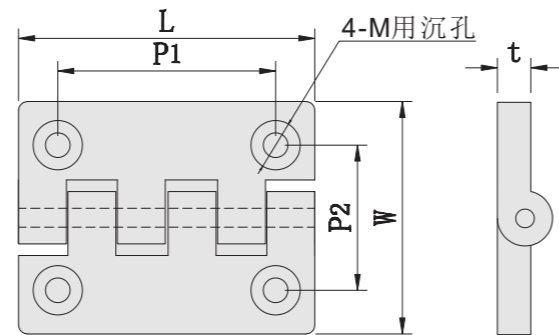
MODEL NO.	RATED TORQUE		L	W	P	J	S	T	E	R	
TYPE	NO	N.N	KG.CM								
B-2118S-1	3	0.35	3.4	32	36	18	7.5	21	1.2	4.25	7.5
B-2118S-2	7	0.7	6.9	40	48	26	8	32	1.2	4.75	8.5
B-2118S-3	15	1.5	14.7	50	48	36	8	32	2	6.5	12



订购型号 B-29\*\*P

- 材质: 尼龙
- 表面处理: 黑色
- 特性: 塑料铰链, 性价比高, 塑料门或轻型门的首选铰链。
- 用途: 工业自动化设备、航空、高铁、医疗通信设备、电柜箱体及其它设备
- Material: Nylon
- Surface finish: black
- Features: Plastic hinges, high cost performance, plastic doors or lightweight preferred hinge for a door.
- Applications: industrial automation equipment, aviation, high-speed rail, medical communication equipment, electrical cabinet and other equipment

MODEL NO.	L	P1	P2	W	M	T
B-2901P	40	25	25	40	3	9
B-2906P	45	24	32.5	55	6	7.5
B-2902P	50	30	29	50	6	10.5
B-2965P	65	41	42	65	6	13
B-2910P	102	75	50	80	8	11.5

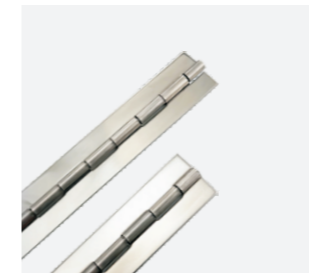
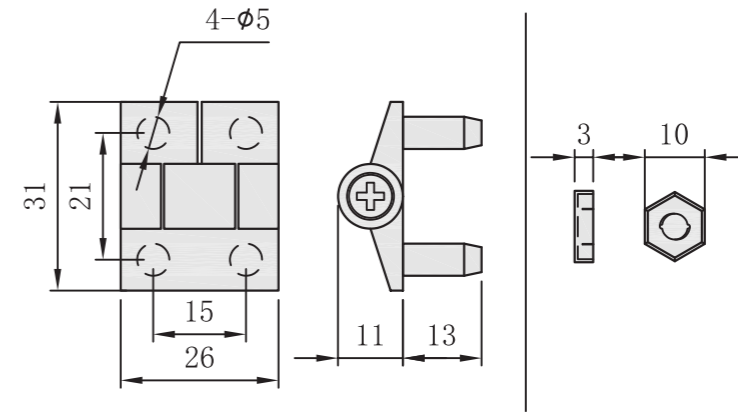


- K 脚轮系列
- G 气弹簧系列
- KC 脚杯系列
- A 拉手系列
- B 合页系列**
- C 磁吸/磁扣系列
- P 旋钮系列
- X 锁具系列



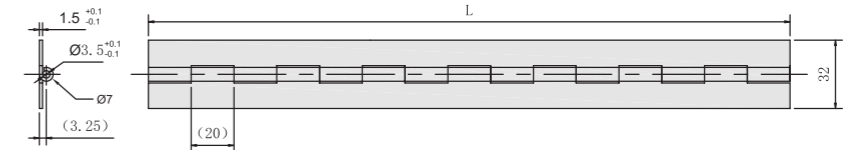
订购型号 B-2920P

- 材质: 尼龙
- 表面处理: 黑色
- 特性: 塑料铰链, 性价比高, 塑料门或轻型门的首选铰链。
- 用途: 工业自动化设备、航空、高铁、医疗通信设备、电柜箱体及其它设备
- Material: Nylon
- Surface finish: black
- Features: Plastic hinges, high cost performance, plastic doors or lightweight preferred hinge for a door.
- Applications: industrial automation equipment, aviation, high-speed rail, medical communication equipment, electrical cabinet and other equipment



订购型号 B-3582S

- 材质: 不锈钢
- 表面处理: 研磨
- 特性: 耐腐蚀性优异, 外形独特, 装配方便。
- 用途: 工业自动化设备、航空、高铁、医疗通信设备、电柜箱体及其它设备
- Material: stainless steel
- Surface treatment: Grinding
- Features: Excellent corrosion resistance, unique shape, easy assembly.
- Applications: industrial automation equipment, aviation, high-speed rail, medical communication equipment, electrical cabinet and other equipment



MODEL NO.	L	WEIGHT
B-3582S-L300	300	165
B-3582S-L350	350	190
B-3582S-L450	450	250
B-3582S-L600	600	335
B-3582S-L750	750	410
B-3582S-L850	850	470
B-3582S-L1000	1000	580

注: 1. 表格内常规焊接用长合页  
2. 长合页可根据客户需求定制尺寸以及孔位大小;

\*请切割成需要的尺寸后, 且对轴进行铆封或1端点焊等防止脱落的加工之后再使用。  
\*两端要进行防脱落加工时, 请务必使用相同的叶片进行。如果使用不同的叶片进行, 可能导致工作不良的风险。



K 脚轮系列

G 气弹簧系列

KC 脚杯系列

A 拉手系列

**B 合页系列**

C 磁吸/磁扣/磁扣系列

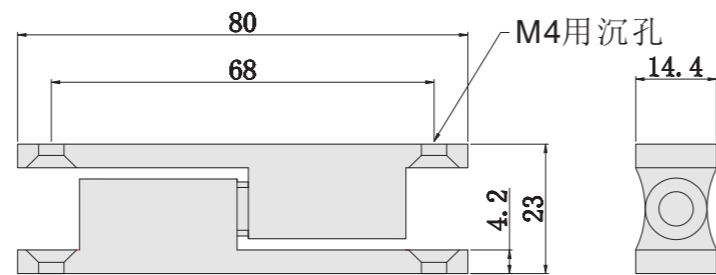
P 旋钮系列

X 锁具系列



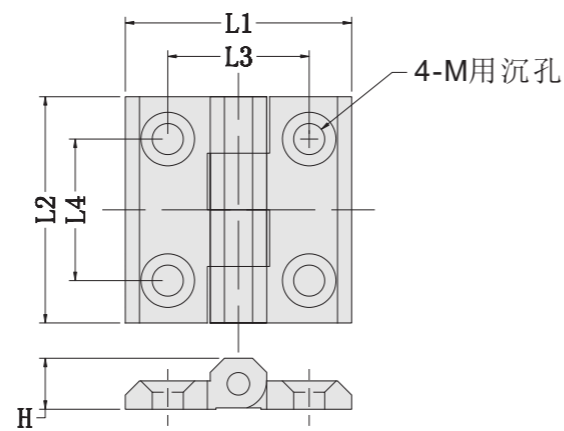
订购型号 B-5032-1Z

- 材质：锌合金
  - 表面处理：镀亮铬
  - 特性：锌合金铰链，装配方便，美观大方。
  - 用途：工业自动化设备、航空、高铁、医疗通信设备、电柜箱体及其它设备
- Material: zinc alloy
  - Surface treatment: Bright chrome plating
  - Features: Zinc alloy hinge, easy to assemble, beautiful and generous.
  - Applications: industrial automation equipment, aviation, high-speed rail, medical communication equipment, electrical cabinet and other equipment



订购型号 B-5050Z

- 材质：锌合金
  - 表面处理：喷无光黑
  - 特性：锌合金铰链，装配方便，美观大方。
  - 用途：工业自动化设备、航空、高铁、医疗通信设备、电柜箱体及其它设备
- Material: zinc alloy
  - Finish: Spray dull black
  - Features: Zinc alloy hinge, easy to assemble, beautiful and generous.
  - Applications: industrial automation equipment, aviation, high-speed rail, medical communication equipment, electrical cabinet and other equipment



MODEL NO.	L1	L2	L3	L4	H	M
B-5050-1Z	60	60	36	34.5	12.5	M6
B-5050-2Z	50	50	30	30	11.5	M6
B-5050-3Z	40	40	25	25	9	M5

K 脚轮系列

G 气弹簧系列

KC 脚杯系列

A 拉手系列

**B 合页系列**

C 磁吸/磁扣/磁扣系列

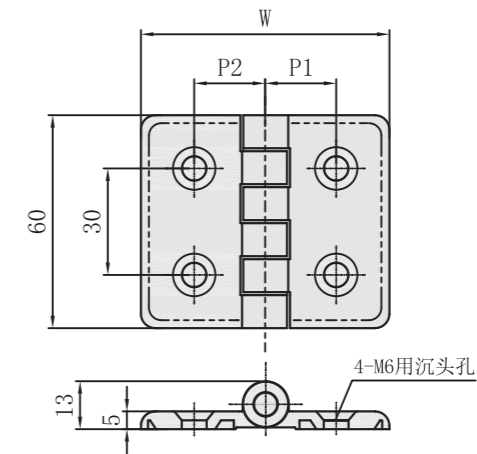
P 旋钮系列

X 锁具系列



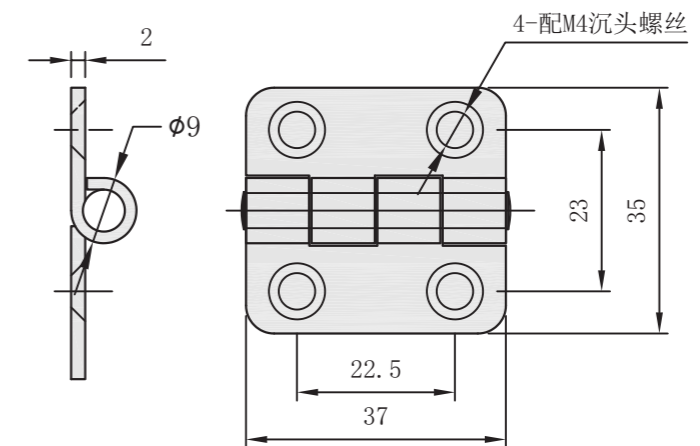
订购型号 B-5060Z

- 材质：锌合金
  - 表面处理：镀沙铬
  - 特性：锌合金铰链，装配方便，美观大方。
  - 用途：工业自动化设备、航空、高铁、医疗通信设备、电柜箱体及其它设备
- Material: zinc alloy
  - Surface treatment: Chromium plating sand
  - Features: Zinc alloy hinge, easy to assemble, beautiful and generous.
  - Applications: industrial automation equipment, aviation, high-speed rail, medical communication equipment, electrical cabinet and other equipment



订购型号 B-5070S

- 材质：不锈钢 (S)
  - 表面处理：拉丝
  - 特性：耐腐蚀性优异，外形独特，装配方便。
  - 用途：工业自动化设备、航空、高铁、医疗通信设备、电柜箱体及其它设备
- Material: Stainless steel (S)
  - Surface treatment: Wire drawing
  - Characteristics: excellent corrosion resistance, unique shape and fitting with convenient.
  - Applications: industrial automation equipment, aviation, high-speed rail, medical communication equipment, electrical cabinet and other equipment



K  
脚轮系列

G  
气弹簧系列

KC  
脚杯系列

A  
拉手系列

**B  
合页系列**

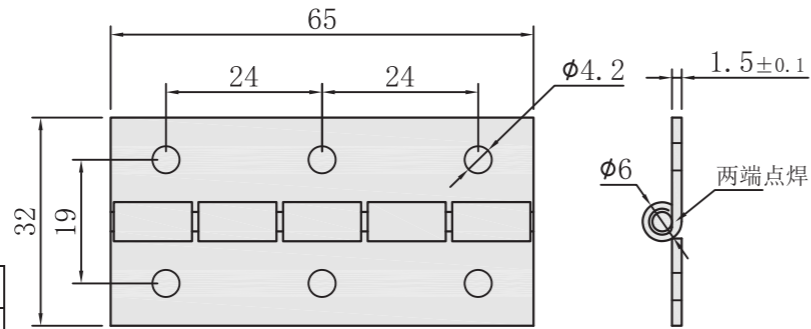
C  
电磁锁/搭扣系列

P  
旋钮系列

X  
锁具系列



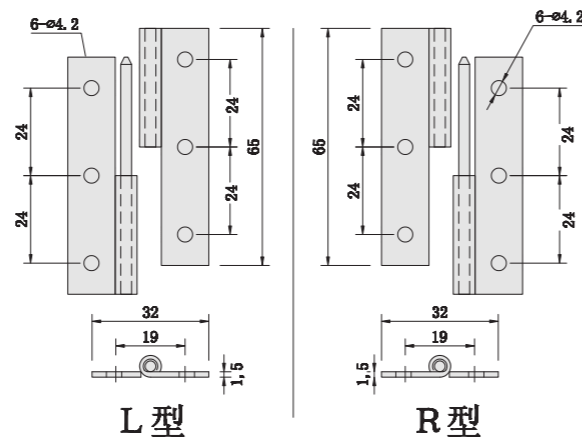
- 材质: 不锈钢 (S)
- 表面处理: 研磨
- 特性: 耐腐蚀性优异, 外形独特, 装配方便。
- 用途: 工业自动化设备、航空、高铁、医疗通信设备、电柜箱体及其它设备
- Material: Stainless steel (S)
- Surface treatment: grinding
- Characteristics: excellent corrosion resistance, unique shape and fittingWith convenient.
- Applications: industrial automation equipment, aviation, high-speed rail, medical communication equipment, electrical cabinet and other equipment



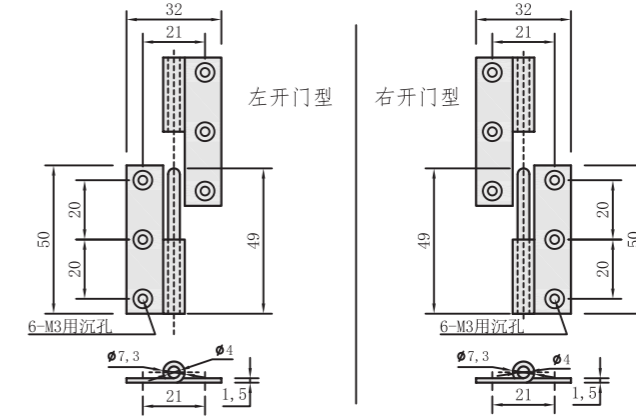
MODEL NO.	REMARK
B-6102S-L	LEFT OPENING
B-6102S-R	RIGHT OPENING



- 材质: 不锈钢 (S)
- 表面处理: 研磨
- 特性: 耐腐蚀性优异, 外形独特, 装配方便。
- 用途: 工业自动化设备、航空、高铁、医疗通信设备、电柜箱体及其它设备
- Material: Stainless steel (S)
- Surface treatment: grinding
- Characteristics: excellent corrosion resistance, unique shape and fittingWith convenient.
- Applications: industrial automation equipment, aviation, high-speed rail, medical communication equipment, electrical cabinet and other equipment



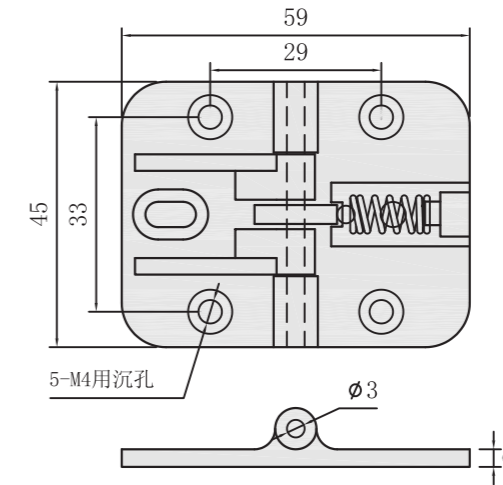
- 材质: 不锈钢 (S)
- 表面处理: 研磨
- 特性: 耐腐蚀性优异, 外形独特, 装配方便。
- 用途: 工业自动化设备、航空、高铁、医疗通信设备、电柜箱体及其它设备
- Material: Stainless steel (S)
- Surface treatment: grinding
- Characteristics: excellent corrosion resistance, unique shape and fittingWith convenient.
- Applications: industrial automation equipment, aviation, high-speed rail, medical communication equipment, electrical cabinet and other equipment



MODEL NO.	REMARK
B-6103S-L	LEFT OPENING
B-6103S-R	RIGHT OPENING



- 材质: 锌合金
- 表面处理: 电泳黑色
- 特性: 锌合金铰链, 装配方便, 美观大方。
- 用途: 工业自动化设备、航空、高铁、医疗通信设备、电柜箱体及其它设备
- Material: zinc alloy
- Surface treatment: electroplating black
- Features: Zinc alloy hinge, easy to assemble, beautiful and generous.
- Applications: industrial automation equipment, aviation, high-speed rail, medical communication equipment, electrical cabinet and other equipment



K  
脚轮系列

G  
气弹簧系列

KC  
脚杯系列

A  
拉手系列

**B  
合页系列**

C  
电磁锁/搭扣系列

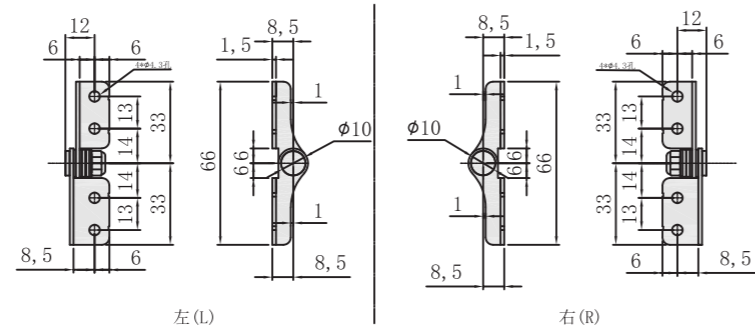
P  
旋钮系列

X  
锁具系列

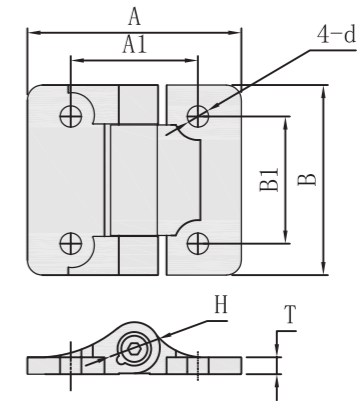
K	脚轮系列
G	气弹簧系列
KC	脚杯系列
A	拉手系列
B	合页系列
C	磁吸/磁锁/磁扣系列
P	旋钮系列
X	锁具系列



- 材质: 不锈钢
- 表面处理: 滚磨抛光
- 特性: 耐腐蚀性优异, 外形独特, 装配方便。
- 用途: 工业自动化设备、航空、高铁、医疗通信设备、电柜箱体及其它设备
- Material: Stainless steel
- Surface treatment: grinding and polishing
- Features: Excellent corrosion resistance, unique shape, easy assembly
- Applications: Industrial automation equipment, aviation, high-speed rail, medical communication equipment, electrical cabinet and other equipment



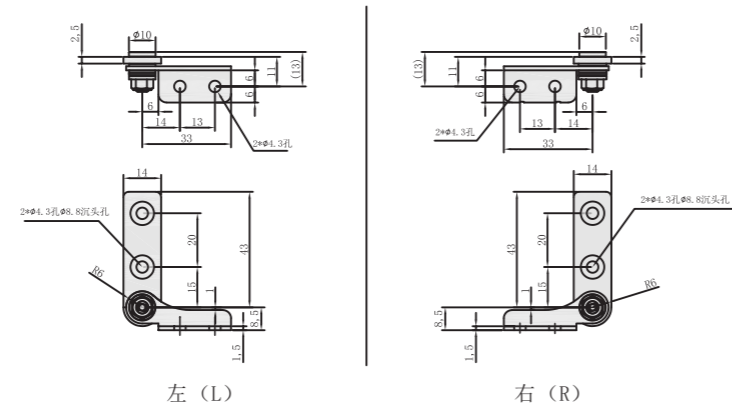
- 材质: ZDC
- 表面处理: 银色/黑色
- 特性: 锌合金铰链, 装配方便, 美观大方。
- 用途: 工业自动化设备、航空、高铁、医疗通信设备、电柜箱体及其它设备
- Material: ZDC
- Finish: Silver/black
- Features: Zinc alloy hinge, easy to assemble, beautiful and generous
- Applications: Industrial automation equipment, aviation, high-speed rail, medical communication equipment, electrical cabinet and other equipment



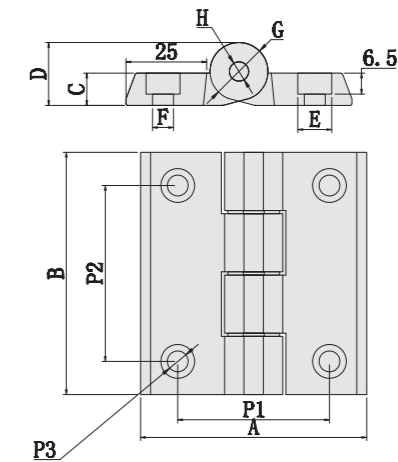
K	脚轮系列
G	气弹簧系列
KC	脚杯系列
A	拉手系列
B	合页系列
C	磁吸/磁锁/磁扣系列
P	旋钮系列
X	锁具系列



- 材质: 不锈钢
- 表面处理: 滚磨抛光
- 特性: 耐腐蚀性优异, 外形独特, 装配方便。
- 用途: 工业自动化设备、航空、高铁、医疗通信设备、电柜箱体及其它设备
- Material: Stainless steel
- Surface treatment: grinding and polishing
- Features: Excellent corrosion resistance, unique shape, easy assembly
- Applications: Industrial automation equipment, aviation, high-speed rail, medical communication equipment, electrical cabinet and other equipment



- 材质: 铝合金
- 表面处理: 电泳黑色
- 特性: 铝合金铰链, 装配方便, 美观大方。
- 用途: 工业自动化设备、航空、高铁、通信设备、电柜箱体及其它设备
- Material: Aluminum alloy
- Surface treatment: Electrophoresis black
- Features: Aluminum alloy hinge, easy to assemble, beautiful and generous
- Application: industrial automation equipment, aviation, high-speed railway, Communication equipment, electrical cabinet and other equipment





K  
脚轮系列

G  
气弹簧系列

KC  
脚杯系列

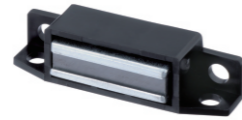
A  
拉手系列

B  
合页系列

C  
磁吸/磁扣系列

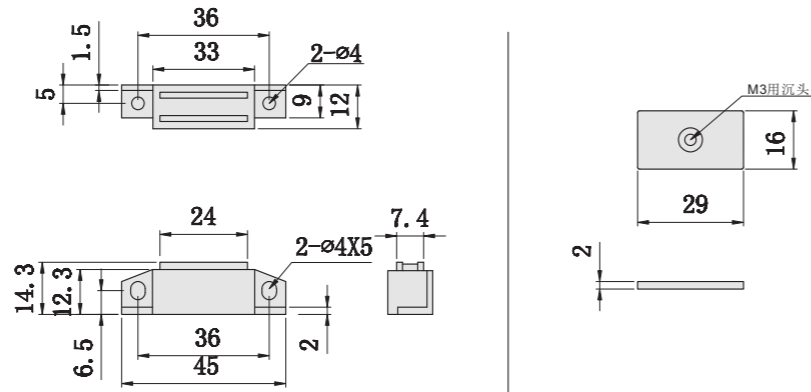
P  
旋钮系列

X  
锁具系列



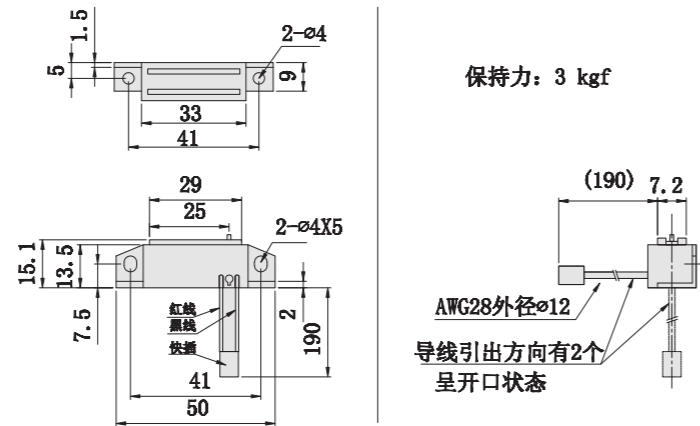
- 材质: 塑料+铁氧体
- 表面处理: 黑色
- 特性: 塑料磁力扣, 装配方便, 美观。
- 用途: 工业自动化设备、航空、医疗、高铁、通信设备、电柜箱体及其它设备
- Material: plastic+ferrite
- Surface treatment: black
- Characteristics: excellent corrosion resistance, unique shape and fittingWith convenient.
- Applications: industrial automation equipment, aviation, medical, high-speed rail, communication equipment, electrical cabinet and other equipment

订购型号 C-101



- 材质: 聚丙烯+铁氧体
- 表面处理: 黑色
- 特性: 塑料磁力扣, 无吸附板, 带开关磁力扣, 检测门开闭的类型, 优选产品;
- 用途: 工业自动化设备、航空、医疗、高铁、通信设备、电柜箱体及其它设备
- Material: polypropylene+ferrite
- Surface treatment: black
- Features: plastic magnetic buckle, no adsorption board, magnetic buckle with switch, Test the type of door opening and closing, and optimize the product;
- Applications: industrial automation equipment, aviation, medical, high-speed rail, communication equipment, electrical cabinet and other equipment

订购型号 C-102

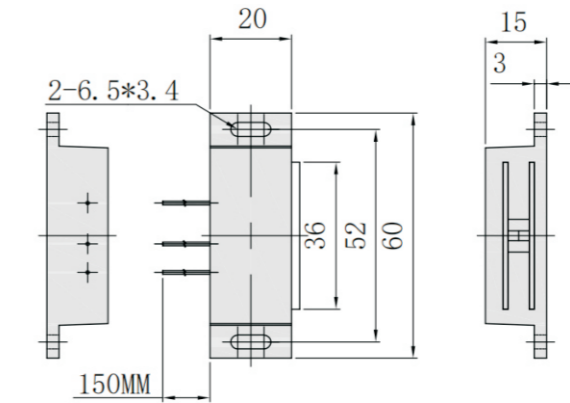
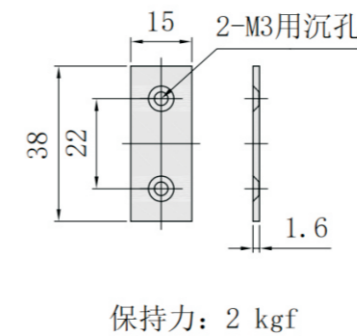


保持力: 3 kgf



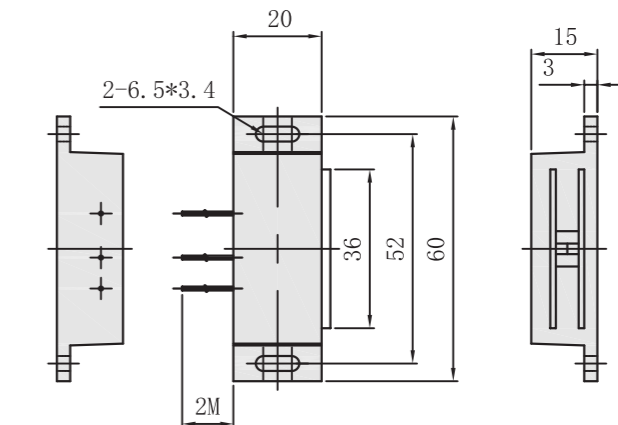
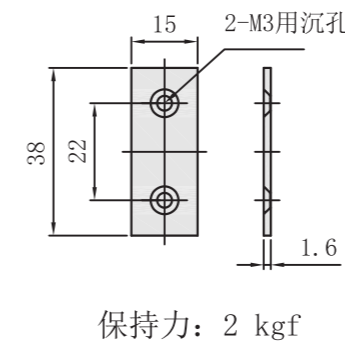
- 材质: ABS+SPCC
- 表面处理: 镀镍
- 特性: 带传感型磁力扣, 检测门开闭带导线, 不占空间, 优选产品;
- 用途: 工业自动化设备、航空、医疗、高铁、通信设备、电柜箱体及其它设备
- Material: Plastic +SPCC
- Surface treatment: nickel plating
- Features: With sensor magnetic buckle, detection door open and close with wire, does not occupy space, optimized product quality;
- Applications: industrial automation equipment, aviation, medical, high-speed rail, communication equipment, electrical cabinet and other equipment

订购型号 C-LE131-150



- 材质: ABS+SPCC
- 表面处理: 镀镍
- 特性: 带传感型磁力扣, 检测门开闭带导线, 不占空间, 优选产品;
- 用途: 工业自动化设备、航空、医疗、高铁、通信设备、电柜箱体及其它设备
- Material: Plastic +SPCC
- Surface treatment: nickel plating
- Features: With sensor magnetic buckle, detection door open and close with wire, does not occupy space, optimized product quality;
- Applications: industrial automation equipment, aviation, medical, high-speed rail, communication equipment, electrical cabinet and other equipment

订购型号 C-LE131-2000

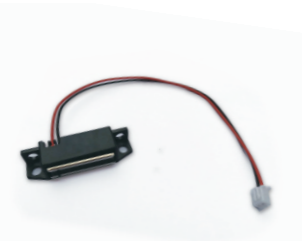
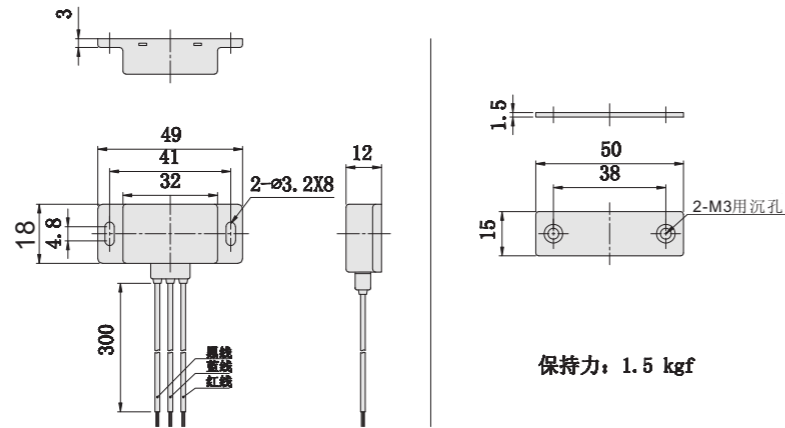


K	脚轮系列
G	气弹簧系列
KC	脚杯系列
A	拉手系列
B	合页系列
C	磁吸/磁扣系列
P	旋钮系列
X	锁具系列



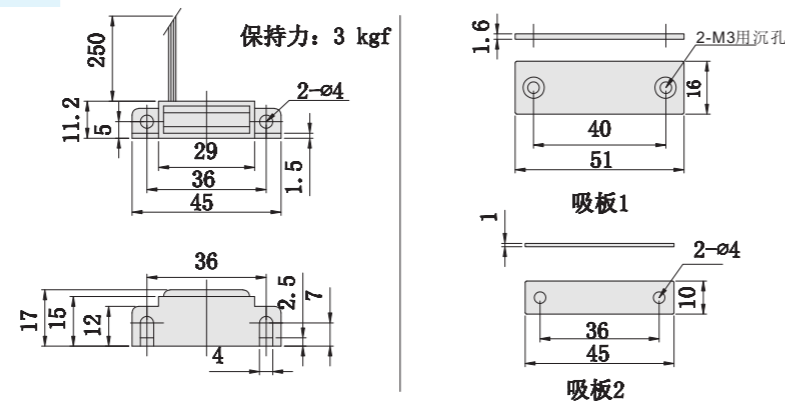
- 材质: 塑料+SPCC
- 表面处理: 镀镍
- 特性: 带传感型磁力扣, 检测门开闭带导线, 不占空间, 优选产品质;
- 用途: 工业自动化设备、航空、医疗、高铁、通信设备、电柜箱体及其它设备
- Material: Plastic+SPCC
- Surface treatment: nickel plating
- Features: With sensor magnetic buckle, detection door open and close with wire, does not occupy space, optimized product quality;
- Applications: industrial automation equipment, aviation, medical, high-speed rail, communication equipment, electrical cabinet and other equipment

订购型号 C-104

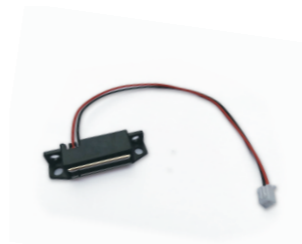


- 材质: 塑料+SPCC
- 表面处理: 镀镍
- 特性: 带传感型磁力扣, 检测门开闭带导线, 不占空间, 优选产品质;
- 用途: 工业自动化设备、航空、医疗、高铁、通信设备、电柜箱体及其它设备
- Material: Plastic+SPCC
- Surface treatment: nickel plating
- Features: With sensor magnetic buckle, detection door open and close with wire, does not occupy space, optimized product quality;
- Applications: industrial automation equipment, aviation, medical, high-speed rail, communication equipment, electrical cabinet and other equipment

订购型号 C-105-OFF

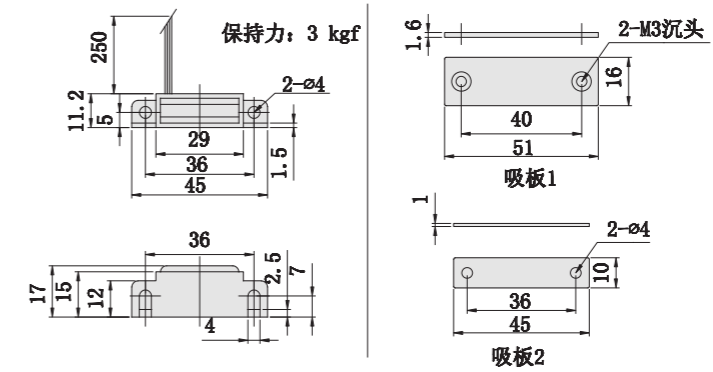


K	脚轮系列
G	气弹簧系列
KC	脚杯系列
A	拉手系列
B	合页系列
C	磁吸/磁扣系列
P	旋钮系列
X	锁具系列



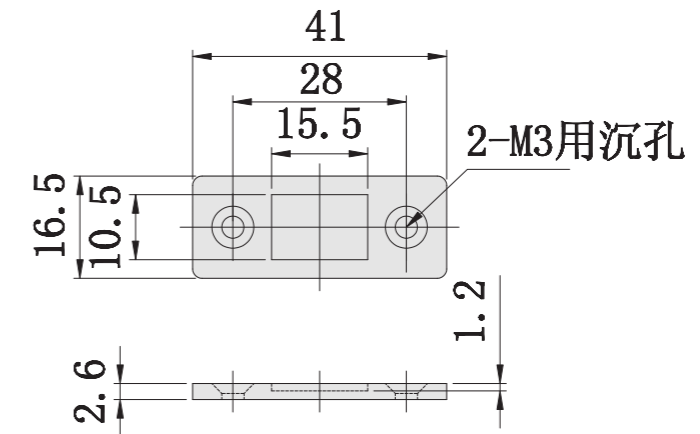
- 材质: 塑料+SPCC
- 表面处理: 镀镍
- 特性: 带传感型磁力扣, 检测门开闭带导线, 不占空间, 优选产品质;
- 用途: 工业自动化设备、航空、医疗、高铁、通信设备、电柜箱体及其它设备
- Material: Plastic+SPCC
- Surface treatment: nickel plating
- Features: With sensor magnetic buckle, detection door open and close with wire, does not occupy space, optimized product quality;
- Applications: industrial automation equipment, aviation, medical, high-speed rail, communication equipment, electrical cabinet and other equipment

订购型号 C-105-ON



- 材质: SPCC+钕磁铁
- 表面处理: 镀镍
- 特性: 超薄型, 经久耐用, 不容易变形, 磁性强, 无吸附板。
- 用途: 工业自动化设备、航空、医疗、高铁、通信设备、电柜箱体及其它设备
- Material: SPCC+neodymium magnet
- Surface treatment: black
- Features: ultra-thin, durable, not easy to deform, strong magnetism, no adsorption plate.
- Applications: industrial automation equipment, aviation, medical, high-speed rail, communication equipment, electrical cabinet and other equipment

订购型号 C-106



K 脚轮系列

G 气弹簧系列

KC 脚杯系列

A 拉手系列

B 合页系列

C 磁吸/磁钩/磁扣系列

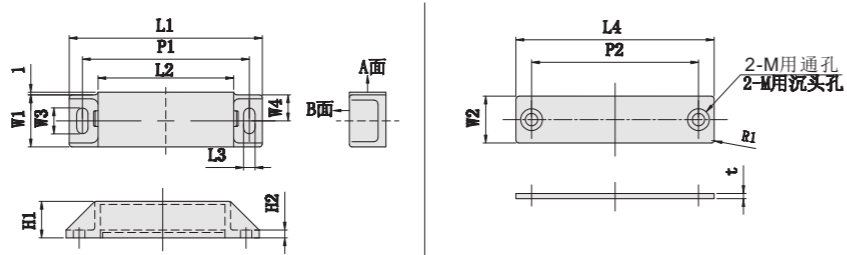
P 旋钮系列

X 锁具系列



订购型号 C-56B

- 材质: 聚甲醛+钕铁硼+SUS430
- 表面处理: 白色
- 特性: 采用密闭构造, 不会产生粉尘, 吸板采用不锈钢SUS430制造
- 用途: 工业自动化设备、航空、医疗、高铁、通信设备、电柜箱体及其它设备
- Material: polyformaldehyde + neodymium iron tension + SUS430
- Surface finish: white
- Features: Adopt airtight structure, will not produce dust, suctionThe plate is made of stainless steel SUS430
- Applications: industrial automation equipment, aviation, medical, high-speed rail, communication equipment, electrical cabinet and other equipment

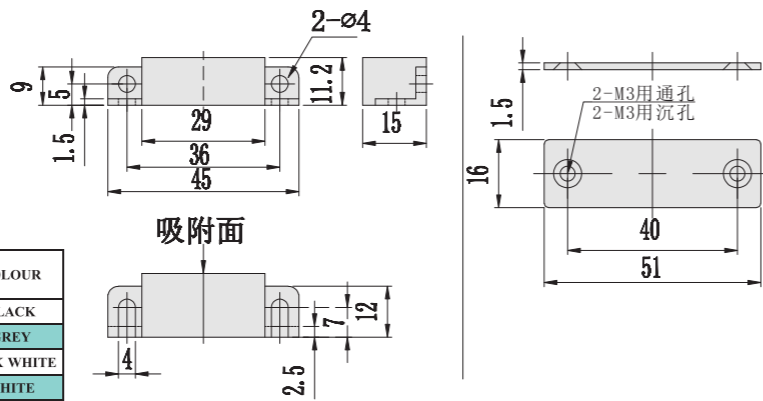


MODEL NO.	L1	L2	L3	L4	W1	W2	W3	W4	T	H1	H2	P1	P2	M	SORPTIVE POWER N A SIDE	ADSORPTIVE POWER N B SIDE
C-56B-1P	74	52	4.4	76	20	18	10	2	14	3	64	64	4		75±20%	50±20%
C-56B-2P	48	28	4.4	50	20	15	10	1.5	11	3	38	38	3		14±20%	4.9±20%
C-56B-4P	38	24	3.2	40	10	11	5.6	5	1.5	10	2	31	32	3	14±20%	4.9±20%



订购型号 C-92CC

- 材质: 聚甲醛+钕铁硼+SUS430
- 表面处理: 白色
- 特性: 采用密闭构造, 不会产生粉尘, 吸板采用不锈钢SUS430制造
- 用途: 工业自动化设备、航空、医疗、高铁、通信设备、电柜箱体及其它设备
- Material: polyformaldehyde + neodymium iron tension + SUS430
- Surface finish: white
- Features: Adopt airtight structure, will not produce dust, suctionThe plate is made of stainless steel SUS430
- Applications: industrial automation equipment, aviation, medical, high-speed rail, communication equipment, electrical cabinet and other equipment



MODEL NO.	RETENTIVITY (KGF)	COLOUR
C-92CC-1P	1.0	BLACK
C-92CC-2P	1.4	GREY
C-92CC-3P	2.0	MILK WHITE
C-92CC-4P	3.3	WHITE

K 脚轮系列

G 气弹簧系列

KC 脚杯系列

A 拉手系列

B 合页系列

C 磁吸/磁钩/磁扣系列

P 旋钮系列

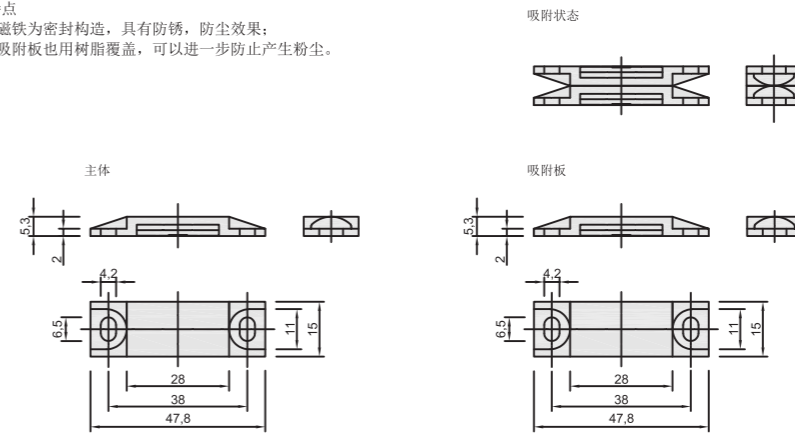
X 锁具系列



订购型号 C-185P-B

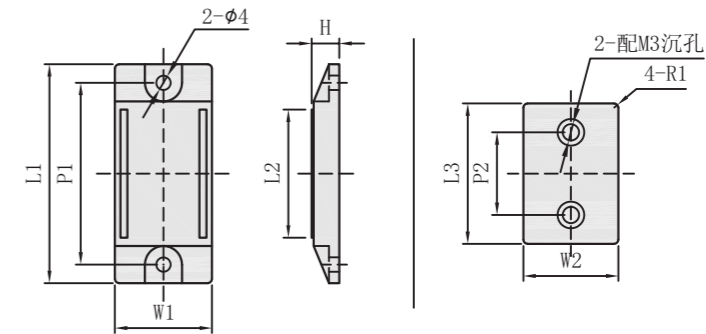
- 材质: 聚缩醛+SUS430
- 表面处理: 白色
- 特性: 采用密闭构造, 不会产生粉尘, 吸板采用不锈钢SUS430制造
- 用途: 工业自动化设备、航空、医疗、高铁、通信设备、电柜箱体及其它设备
- Material: Polyacetal +SUS430
- Finish: white
- Characteristics: grounding terminal, excellent electrical conductivity
- Applications: industrial automation equipment, aviation, medical, high-speed rail, communication equipment, electrical cabinet and other equipment

- 特点
- 磁铁为密封构造, 具有防锈, 防尘效果;
  - 吸附板也用树脂覆盖, 可以进一步防止产生粉尘。



订购型号 C-91P

- 材质: ABS
- 表面处理: 黑色
- 特性: 塑料磁力扣, 装配方便, 美观。
- 用途: 工业自动化设备、航空、医疗、高铁、通信设备、电柜箱体及其它设备
- Material: plastic+ferrite
- Surface treatment: black
- Characteristics: excellent corrosion resistance, unique shape and fittingWith convenient.
- Applications: industrial automation equipment, aviation, medical, high-speed rail, communication equipment, electrical cabinet and other equipment



MODEL NO.	L1	L2	L3	W1	W2	H	P1	P2	MAGNET POWER (KGF)
C-91-1P	64	42	45	24.5	24	7.7	55	30	3.5
C-91-2P	53	31	34	23.5	23	6.7	44	20	2.0
C-91-3P	43	20	24	17	16.5	6.5	34	13	1.0



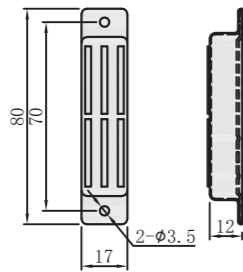
K	脚轮系列
G	气弹簧系列
KC	脚杯系列
A	拉手系列
B	合页系列
C	磁吸/磁钩/磁扣系列
P	旋钮系列
X	锁具系列



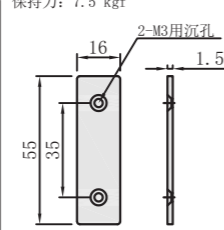
- 材质: 黄铜+SPCC
- 表面处理: 镀镍
- 特性: 经久耐用, 不容易变形, 磁性强。
- 用途: 工业自动化设备、航空、医疗、高铁、通信设备、电柜箱体及其它设备
- Material: Brass +SPCC
- Surface treatment: nickel plating
- Characteristics: excellent corrosion resistance, unique shape and fittingWith convenient.
- Applications: industrial automation equipment, aviation, medical, high-speed rail, communication equipment, electrical cabinet and other equipment

订购型号 C-100-A-B

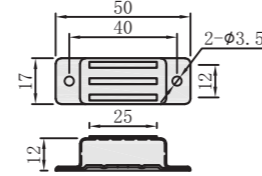
订购型号: C-100-A-1B



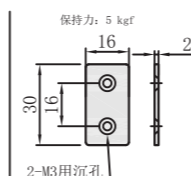
保持力: 7.5 kgf



订购型号: C-100-A-2B

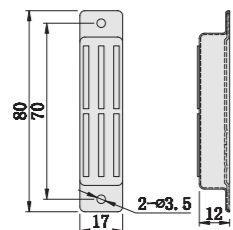


保持力: 5 kgf

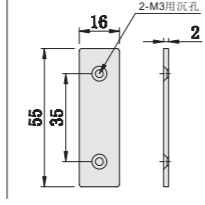


- 材质: 不锈钢 (S)
- 表面处理: 研磨
- 特性: 耐腐蚀性优异, 外形独特, 装配方便。
- 用途: 工业自动化设备、航空、医疗、高铁、通信设备、电柜箱体及其它设备
- Material: Stainless steel (S)
- Surface treatment: grinding
- Characteristics: excellent corrosion resistance, unique shape and fittingWith convenient.
- Applications: industrial automation equipment, aviation, medical, high-speed rail, communication equipment, electrical cabinet and other equipment

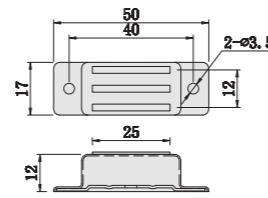
订购型号 C-100-A



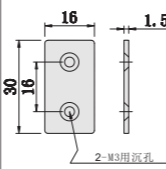
保持力: 7.5 kgf



订购型号: C-100-A-1S



保持力: 5 kgf



订购型号: C-100-A-2S

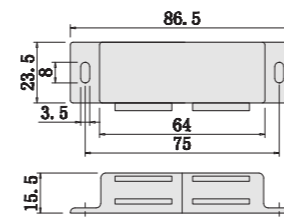
K	脚轮系列
G	气弹簧系列
KC	脚杯系列
A	拉手系列
B	合页系列
C	磁吸/磁钩/磁扣系列
P	旋钮系列
X	锁具系列



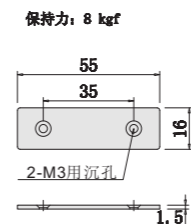
- 材质: 铝合金
- 表面处理: 氧化金色
- 特性: 铝合金磁力扣, 耐用不变形, 磁性强。
- 用途: 工业自动化设备、航空、医疗、高铁、通信设备、电柜箱体及其它设备
- Material: Aluminum alloy
- Surface treatment: Oxidation of gold
- Characteristics: Aluminum alloy magnetic buckle, unique shape and fittingWith convenient.
- Applications: industrial automation equipment, aviation, medical, high-speed rail, communication equipment, electrical cabinet and other equipment

订购型号 C-100-B

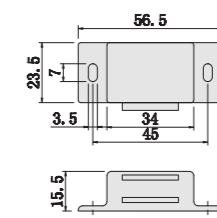
订购型号: C-100-B-1A



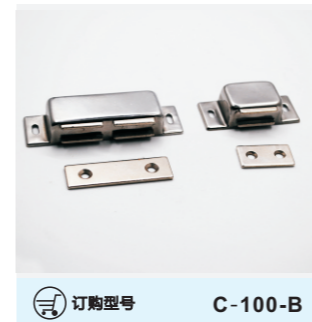
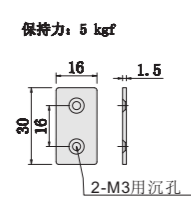
保持力: 8 kgf



订购型号: C-100-B-2A



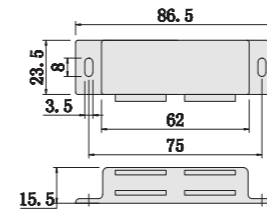
保持力: 5 kgf



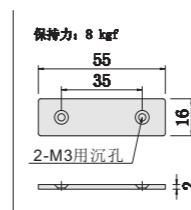
- 材质: 不锈钢 (S)
- 表面处理: 研磨
- 特性: 耐腐蚀性优异, 外形独特, 装配方便。
- 用途: 工业自动化设备、航空、医疗、高铁、通信设备、电柜箱体及其它设备
- Material: Stainless steel (S)
- Surface treatment: grinding
- Characteristics: excellent corrosion resistance, unique shape and fittingWith convenient.
- Applications: industrial automation equipment, aviation, medical, high-speed rail, communication equipment, electrical cabinet and other equipment

订购型号 C-100-B

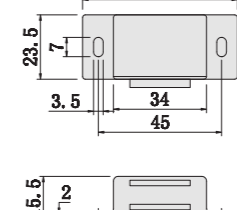
订购型号: C-100-B-1S



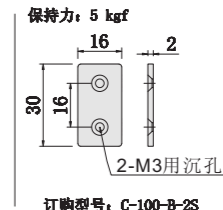
保持力: 8 kgf



订购型号: C-100-B-2S



保持力: 5 kgf



订购型号: C-100-B-2S

K  
脚轮系列

G  
气弹簧系列

KC  
脚杯系列

A  
拉手系列

B  
合页系列

C  
磁吸/磁钩/磁扣系列

P  
旋钮系列

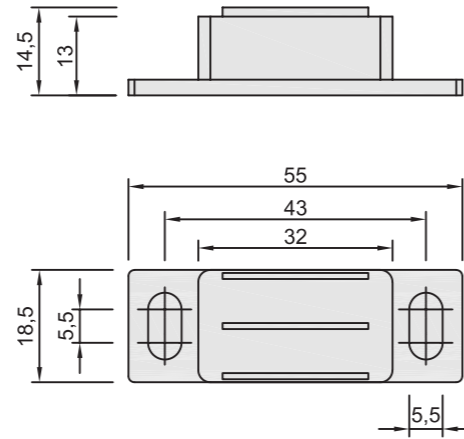
X  
锁具系列



订购型号 C-100-21

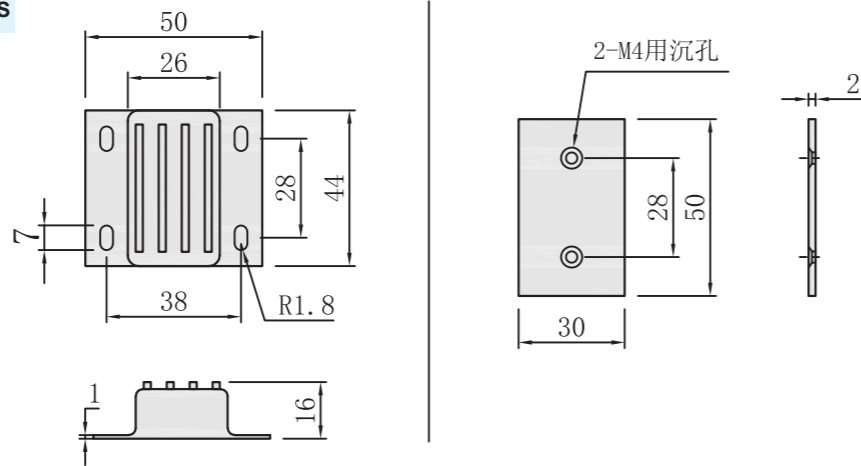
- 材质: 碳钢
- 表面处理: 镀铬
- 特性: 耐腐蚀性优异, 外形独特, 装配方便
- 用途: 工业自动化设备、航空、医疗、高铁、通信设备、电柜箱体及其它设备
- Material: Carbon steel
- Surface treatment: chrome plating
- Features: Excellent corrosion resistance, unique shape, easy assembly
- Uses: industrial automation equipment, aviation, medical, high-speed rail, communication equipment, electrical cabinet and other equipment

MODEL NO.	ADSORPTION CAPACITY (N)
C-100-21-A	39
C-100-21-B	40
C-100-21-C	41



订购型号 C-167S

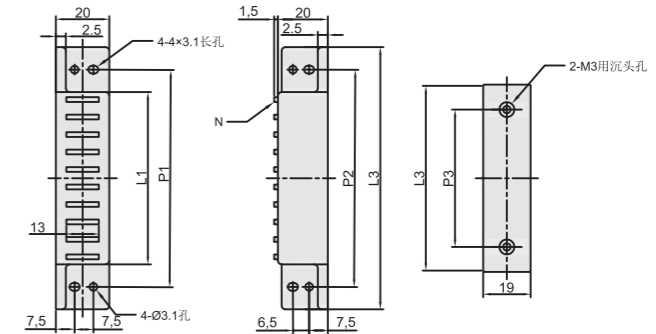
- 材质: 不锈钢 (S)
- 表面处理: 研磨
- 特性: 经久耐用, 不容易变形, 磁性强。
- 用途: 工业自动化设备、航空、医疗、高铁、通信设备、电柜箱体及其它设备
- Material: Stainless steel (S)
- Surface treatment: grinding
- Characteristics: excellent corrosion resistance, unique shape and fittingWith convenient.
- Applications: industrial automation equipment, aviation, medical, high-speed rail, communication equipment, electrical cabinet and other equipment



订购型号 C-158

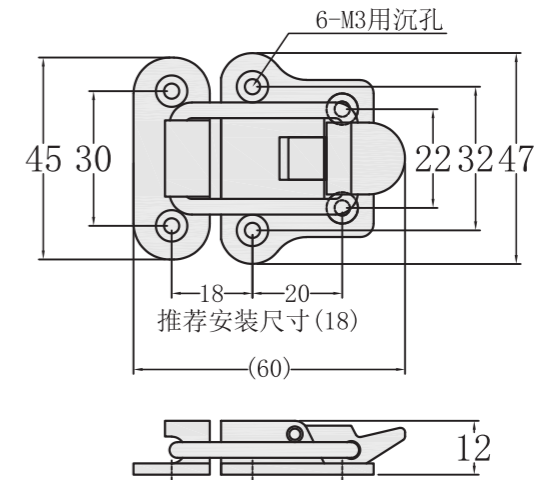
- 材质: 锌合金
- 表面处理: 镀镍
- 特性: 耐腐蚀性优异, 外形独特, 装配方便。
- 用途: 工业自动化设备、航空、医疗、高铁、通信设备、电柜箱体及其它设备
- Material: Zinc alloy
- Surface treatment: nickel plating
- Characteristics: excellent corrosion resistance, unique shape and fittingWith convenient.
- Applications: industrial automation equipment, aviation, medical, high-speed rail, communication equipment, electrical cabinet and other equipment

MODEL NO.	L1	L2	L3	P1	P2	P3	N	ADSORPTIVE POWER N
C-158-30	20	40	22	30	30	12	3	29
C-158-40	27	50	29	40	40	18	4	68
C-158-50	41	61	43	50	50	27	6	107
C-158-70	55	80	60	70	70	40	8	137



订购型号 C-20Z

- 材质: 锌合金
- 表面处理: 镀亮铬
- 特性: 锌合金搭扣, 耐用不变形, 装配美观大方。
- 用途: 工业自动化设备、航空、医疗、高铁、通信设备、电柜箱体及其它设备
- Material: Zinc alloy
- Surface treatment: bright chrome plating
- Features: zinc alloy buckle, durable, no deformation, beautiful assembly.
- Applications: industrial automation equipment, aviation, medical, high-speed rail, communication equipment, electrical cabinet and other equipment



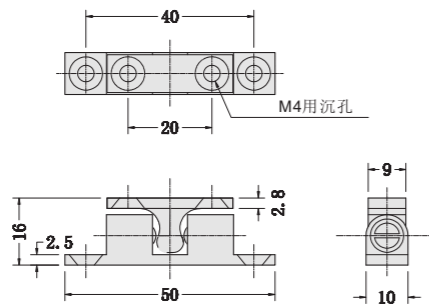
- K 脚轮系列
- G 气弹簧系列
- KC 脚杯系列
- A 拉手系列
- B 合页系列
- C 电磁锁/磁扣系列
- P 旋钮系列
- X 锁具系列



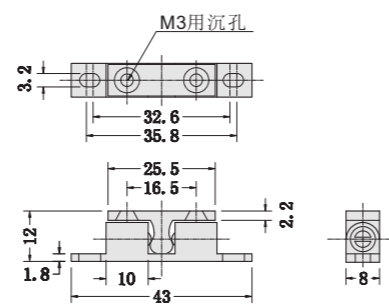
- 材质: 锌合金
- 表面处理: 镀亮铬
- 特性: 锌合金球形扣, 性价比高, 可调整扣紧力度, 装配方便。
- 用途: 工业自动化设备、航空、医疗、高铁、通信设备、电柜箱体及其它设备
- Material: Zinc alloy
- Surface treatment: Bright chrome plating
- Characteristics: zinc alloy spherical buckle, high cost performance, adjustable knot fastening strength, easy assembly
- Applications: industrial automation equipment, aviation, medical, high-speed rail, communication equipment, electrical cabinet and other equipment

订购型号 C-90-Z

订购型号: C-90-1Z



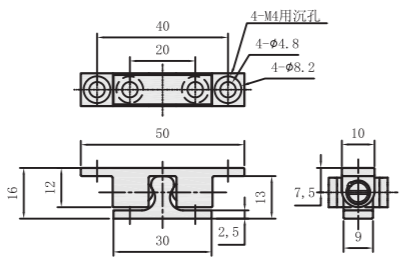
订购型号: C-90-2Z



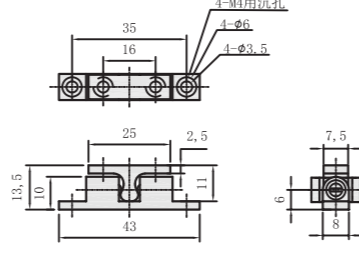
- 材质: 不锈钢
- 表面处理: 研磨
- 特性: 不锈钢球形扣, 性价比高, 可调整扣紧力度, 装配方便。
- 用途: 工业自动化设备、航空、医疗、高铁、通信设备、电柜箱体及其它设备
- Material: stainless steel
- Surface treatment: grinding
- Features: stainless steel ball buckle, high cost performance, adjustable knot tightening strength,y
- Applications: industrial automation equipment, aviation, medical, high-speed rail, communication equipment, electrical cabinet and other equipment

订购型号 C-90-S

订购型号: C-90-1S



订购型号: C-90-2S

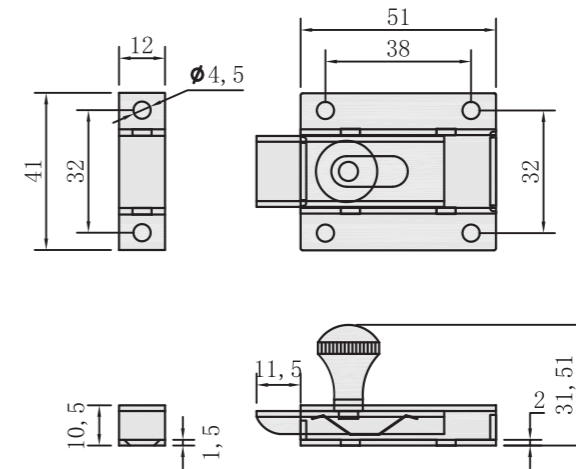


MODEL NO.	L1	L2	L3	W1	W2	H1	H2	H3	T1	T2	P1	P2	D	
													THROUGH HOLE	TAPER HOLE
C-90-1S	50	30	7.5	10	9	12	13	16	2.5	2.5	40	20	4.8	8.2
C-90-2S	43	25	6	8	7.5	10	11	13.5	2.5	2.5	35	16	3.5	6



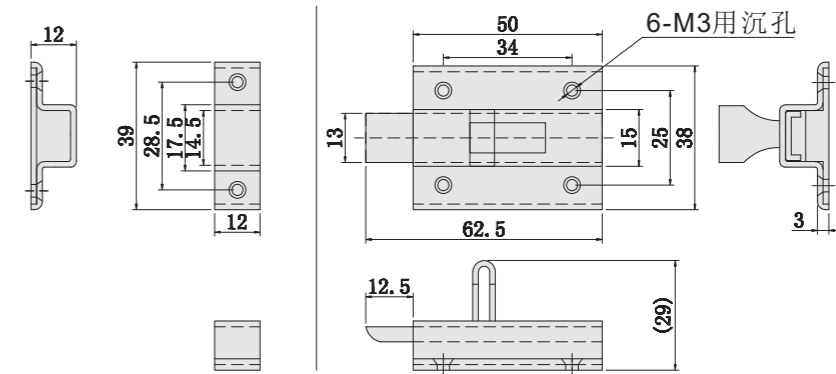
- 材质: 不锈钢 (S)
- 表面处理: 研磨
- 特性: 耐腐蚀性优异, 外形独特, 装配方便。
- 用途: 工业自动化设备、航空、医疗、高铁、通信设备、电柜箱体及其它设备
- Material: Stainless steel (S)
- Surface treatment: grinding
- Characteristics: excellent corrosion resistance, unique shape and fittingWith convenient.
- Applications: industrial automation equipment, aviation, medical, high-speed rail, communication equipment, electrical cabinet and other equipment

订购型号 C-36S



- 材质: 不锈钢 (S)
- 表面处理: 研磨
- 特性: 耐腐蚀性优异, 外形独特, 装配方便。
- 用途: 工业自动化设备、航空、医疗、高铁、通信设备、电柜箱体及其它设备
- Material: Stainless steel (S)
- Surface treatment: grinding
- Characteristics: excellent corrosion resistance, unique shape and fittingWith convenient.
- Applications: industrial automation equipment, aviation, medical, high-speed rail, communication equipment, electrical cabinet and other equipment

订购型号 C-1170-2S



## Equipment Mortise Locks

批量订单  
请电询交货日期

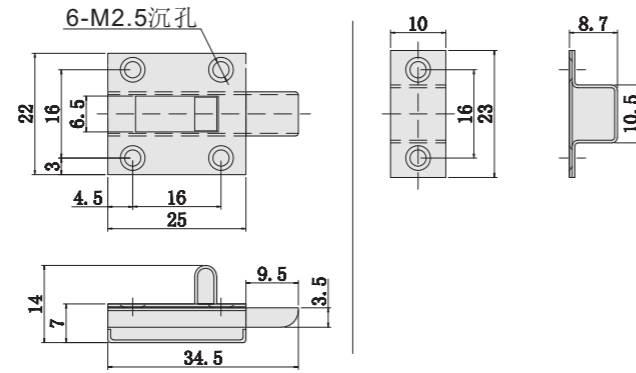
库存品

CAD 2D  
3D

RoHS



- 材质: 不锈钢 (S)
- 表面处理: 研磨
- 特性: 耐腐蚀性优异, 外形独特, 装配方便。
- 用途: 工业自动化设备、航空、医疗、高铁、通信设备、电柜箱体及其它设备
- Material: Stainless steel (S)
- Surface treatment: grinding
- Characteristics: excellent corrosion resistance, unique shape and fittingWith convenient.
- Applications: industrial automation equipment, aviation, medical, high-speed rail, communication equipment, electrical cabinet and other equipment



## Equipment Toggle Latches

批量订单  
请电询交货日期

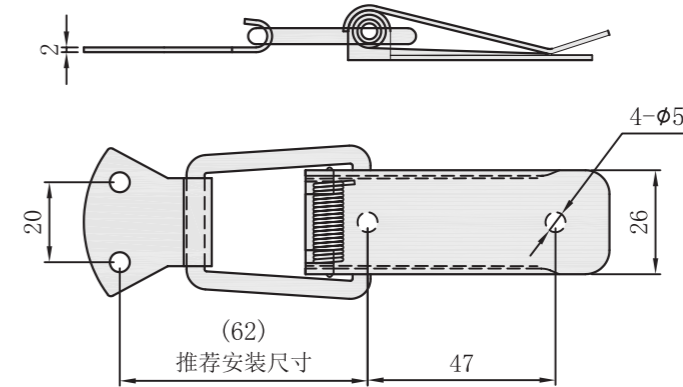
库存品

CAD 2D  
3D

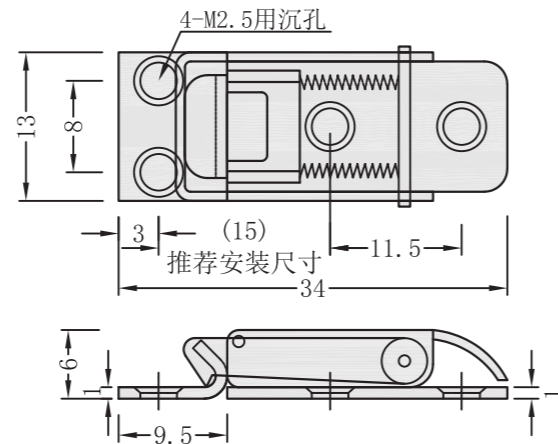
RoHS



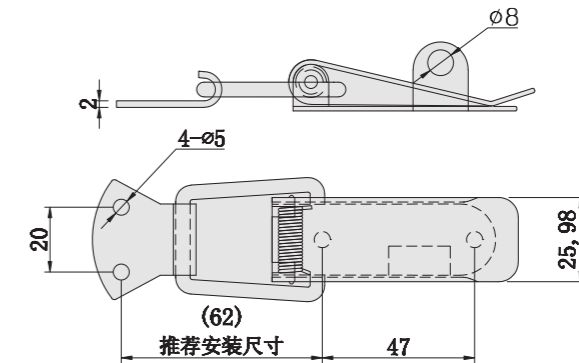
- 材质: 不锈钢 (S)
- 表面处理: 研磨
- 特性: 耐腐蚀性优异, 外形独特, 装配方便。
- 用途: 工业自动化设备、航空、医疗、高铁、通信设备、电柜箱体及其它设备
- Material: Stainless steel (S)
- Surface treatment: grinding
- Characteristics: excellent corrosion resistance, unique shape and fittingWith convenient.
- Applications: industrial automation equipment, aviation, medical, high-speed rail, communication equipment, electrical cabinet and other equipment



- 材质: 不锈钢 (S)
- 表面处理: 研磨
- 特性: 耐腐蚀性优异, 外形独特, 装配方便。
- 用途: 工业自动化设备、航空、医疗、高铁、通信设备、电柜箱体及其它设备
- Material: Stainless steel (S)
- Surface treatment: grinding
- Characteristics: excellent corrosion resistance, unique shape and fittingWith convenient.
- Applications: industrial automation equipment, aviation, medical, high-speed rail, communication equipment, electrical cabinet and other equipment



- 材质: 不锈钢 (S)
- 表面处理: 研磨
- 特性: 耐腐蚀性优异, 外形独特, 装配方便。
- 用途: 工业自动化设备、航空、医疗、高铁、通信设备、电柜箱体及其它设备
- Material: Stainless steel (S)
- Surface treatment: grinding
- Characteristics: excellent corrosion resistance, unique shape and fittingWith convenient.
- Applications: industrial automation equipment, aviation, medical, high-speed rail, communication equipment, electrical cabinet and other equipment



批量订单  
请电询交货日期

库存品

CAD 2D  
3D

RoHS

批量订单  
请电询交货日期

库存品

CAD 2D  
3D

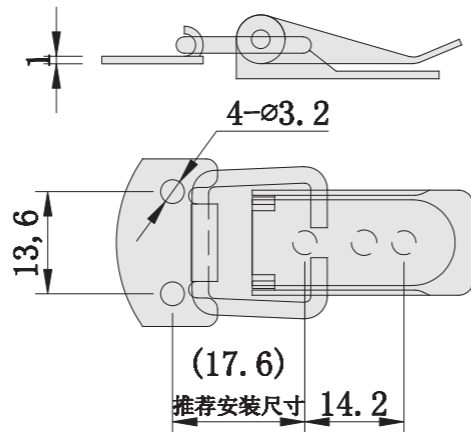
RoHS



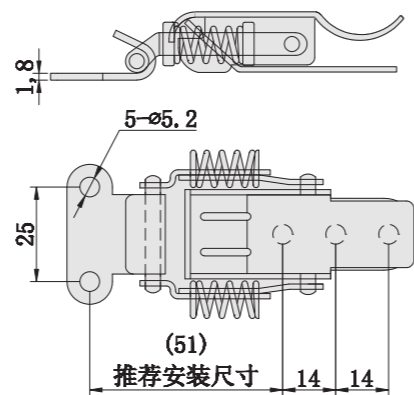
K	脚轮系列
G	气弹簧系列
KC	脚杯系列
A	拉手系列
B	合页系列
C	电磁锁扣系列
P	旋钮系列
X	锁具系列



- 材质: 不锈钢 (S)
- 表面处理: 研磨
- 特性: 耐腐蚀性优异, 外形独特, 装配方便。
- 用途: 工业自动化设备、航空、医疗、高铁、通信设备、电柜箱体及其它设备
- Material: Stainless steel (S)
- Surface treatment: grinding
- Characteristics: excellent corrosion resistance, unique shape and fittingWith convenient.
- Applications: industrial automation equipment, aviation, medical, high-speed rail, communication equipment, electrical cabinet and other equipment



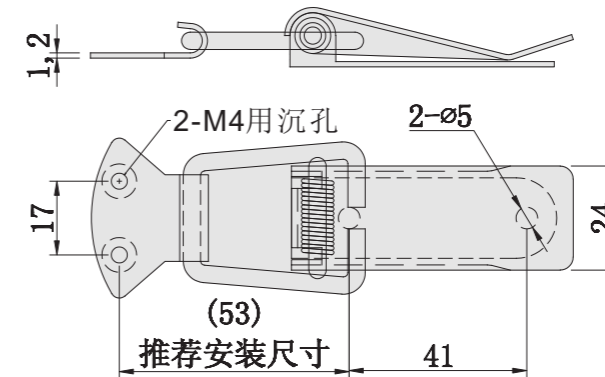
- 材质: 不锈钢 (S)
- 表面处理: 研磨
- 特性: 耐腐蚀性优异, 外形独特, 装配方便。
- 用途: 工业自动化设备、航空、医疗、高铁、通信设备、电柜箱体及其它设备
- Material: Stainless steel (S)
- Surface treatment: grinding
- Characteristics: excellent corrosion resistance, unique shape and fittingWith convenient.
- Applications: industrial automation equipment, aviation, medical, high-speed rail, communication equipment, electrical cabinet and other equipment



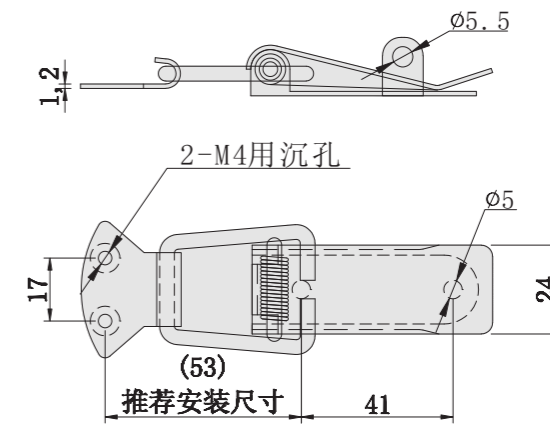
K	脚轮系列
G	气弹簧系列
KC	脚杯系列
A	拉手系列
B	合页系列
C	电磁锁扣系列
P	旋钮系列
X	锁具系列



- 材质: 不锈钢 (S)
- 表面处理: 研磨
- 特性: 耐腐蚀性优异, 外形独特, 装配方便。
- 用途: 工业自动化设备、航空、医疗、高铁、通信设备、电柜箱体及其它设备
- Material: Stainless steel (S)
- Surface treatment: grinding
- Characteristics: excellent corrosion resistance, unique shape and fittingWith convenient.
- Applications: industrial automation equipment, aviation, medical, high-speed rail, communication equipment, electrical cabinet and other equipment



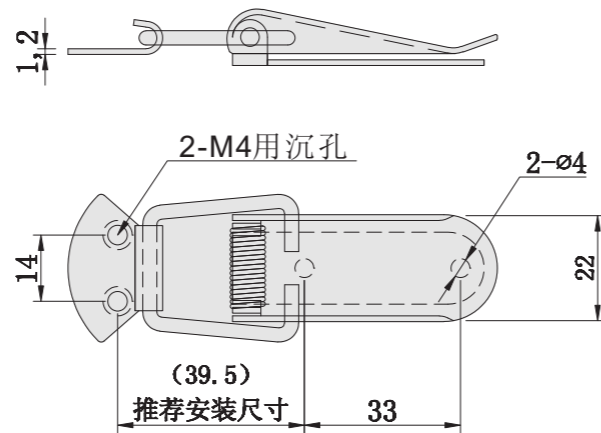
- 材质: 不锈钢 (S)
- 表面处理: 研磨
- 特性: 耐腐蚀性优异, 外形独特, 装配方便。
- 用途: 工业自动化设备、航空、医疗、高铁、通信设备、电柜箱体及其它设备
- Material: Stainless steel (S)
- Surface treatment: grinding
- Characteristics: excellent corrosion resistance, unique shape and fittingWith convenient.
- Applications: industrial automation equipment, aviation, medical, high-speed rail, communication equipment, electrical cabinet and other equipment



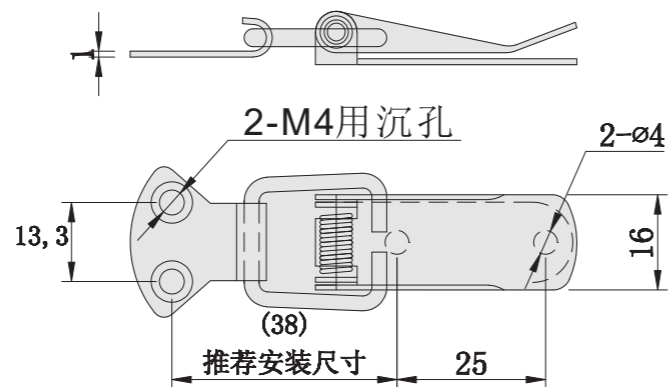
K	脚轮系列
G	气弹簧系列
KC	脚杯系列
A	拉手系列
B	合页系列
C	电磁锁扣系列
P	旋钮系列
X	锁具系列



- 材质：不锈钢 (S)
- 表面处理：研磨
- 特性：耐腐蚀性优异，外形独特，装配方便。
- 用途：工业自动化设备、航空、医疗、高铁、通信设备、电柜箱体及其它设备
- Material: Stainless steel (S)
- Surface treatment: grinding
- Characteristics: excellent corrosion resistance, unique shape and fittingWith convenient.
- Applications: industrial automation equipment, aviation, medical, high-speed rail, communication equipment, electrical cabinet and other equipment



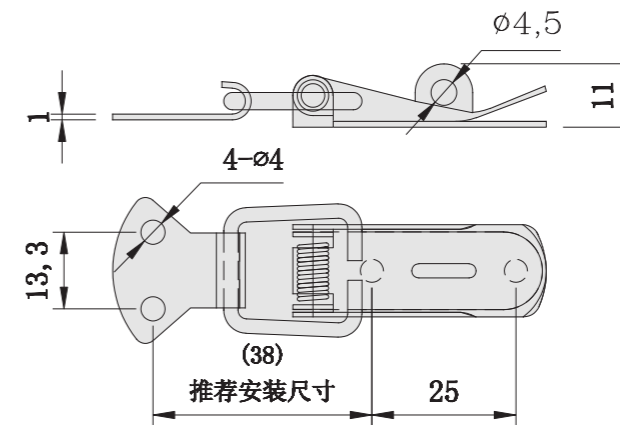
- 材质：不锈钢 (S)
- 表面处理：研磨
- 特性：耐腐蚀性优异，外形独特，装配方便。
- 用途：工业自动化设备、航空、医疗、高铁、通信设备、电柜箱体及其它设备
- Material: Stainless steel (S)
- Surface treatment: grinding
- Characteristics: excellent corrosion resistance, unique shape and fittingWith convenient.
- Applications: industrial automation equipment, aviation, medical, high-speed rail, communication equipment, electrical cabinet and other equipment



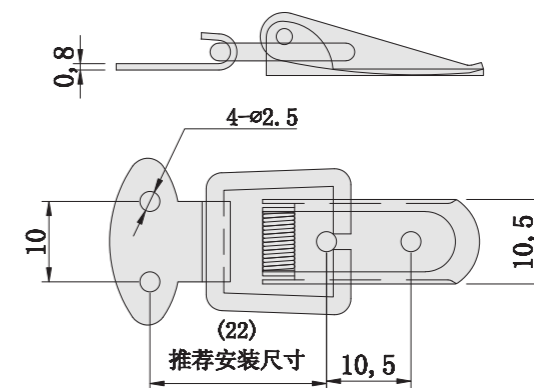
K	脚轮系列
G	气弹簧系列
KC	脚杯系列
A	拉手系列
B	合页系列
C	电磁锁扣系列
P	旋钮系列
X	锁具系列



- 材质：不锈钢 (S)
- 表面处理：研磨
- 特性：耐腐蚀性优异，外形独特，装配方便。
- 用途：工业自动化设备、航空、医疗、高铁、通信设备、电柜箱体及其它设备
- Material: Stainless steel (S)
- Surface treatment: grinding
- Characteristics: excellent corrosion resistance, unique shape and fittingWith convenient.
- Applications: industrial automation equipment, aviation, medical, high-speed rail, communication equipment, electrical cabinet and other equipment



- 材质：不锈钢 (S)
- 表面处理：研磨
- 特性：耐腐蚀性优异，外形独特，装配方便。
- 用途：工业自动化设备、航空、医疗、高铁、通信设备、电柜箱体及其它设备
- Material: Stainless steel (S)
- Surface treatment: grinding
- Characteristics: excellent corrosion resistance, unique shape and fittingWith convenient.
- Applications: industrial automation equipment, aviation, medical, high-speed rail, communication equipment, electrical cabinet and other equipment

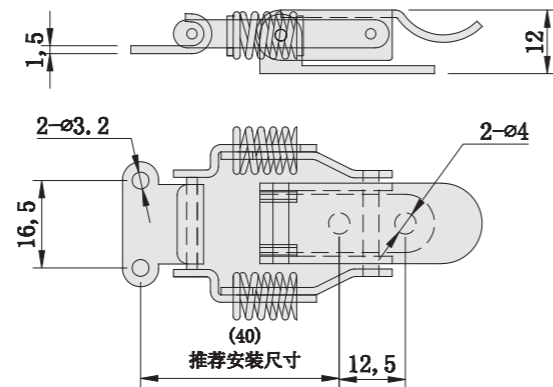


K	脚轮系列
G	气弹簧系列
KC	脚杯系列
A	拉手系列
B	合页系列
C	电磁锁/磁扣系列
P	旋钮系列
X	锁具系列



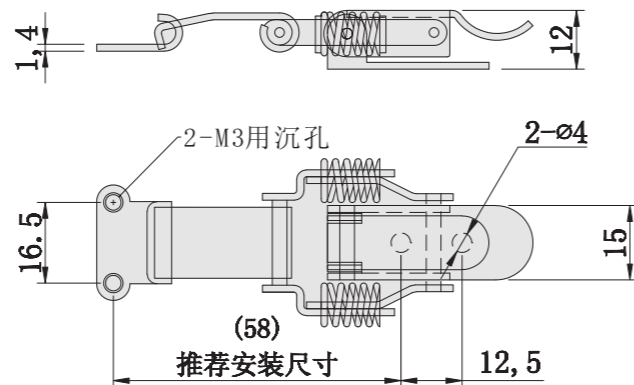
订购型号 C-1108S

- 材质：不锈钢 (S)
- 表面处理：研磨
- 特性：耐腐蚀性优异，外形独特，装配方便。
- 用途：工业自动化设备、航空、医疗、高铁、通信设备、电柜箱体及其它设备
- Material: Stainless steel (S)
- Surface treatment: grinding
- Characteristics: excellent corrosion resistance, unique shape and fittingWith convenient.
- Applications: industrial automation equipment, aviation, medical, high-speed rail, communication equipment, electrical cabinet and other equipment



订购型号 C-1109S

- 材质：不锈钢 (S)
- 表面处理：研磨
- 特性：耐腐蚀性优异，外形独特，装配方便。
- 用途：工业自动化设备、航空、医疗、高铁、通信设备、电柜箱体及其它设备
- Material: Stainless steel (S)
- Surface treatment: grinding
- Characteristics: excellent corrosion resistance, unique shape and fittingWith convenient.
- Applications: industrial automation equipment, aviation, medical, high-speed rail, communication equipment, electrical cabinet and other equipment

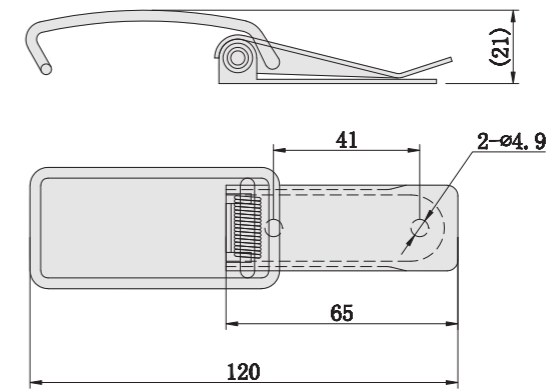


K	脚轮系列
G	气弹簧系列
KC	脚杯系列
A	拉手系列
B	合页系列
C	电磁锁/磁扣系列
P	旋钮系列
X	锁具系列



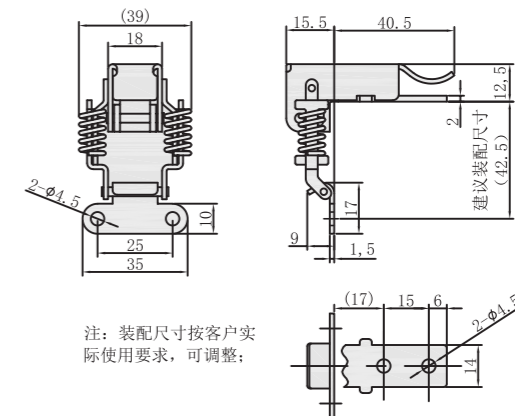
订购型号 C-1111S

- 材质：不锈钢 (S)
- 表面处理：研磨
- 特性：耐腐蚀性优异，外形独特，装配方便。
- 用途：工业自动化设备、航空、医疗、高铁、通信设备、电柜箱体及其它设备
- Material: Stainless steel (S)
- Surface treatment: grinding
- Characteristics: excellent corrosion resistance, unique shape and fittingWith convenient.
- Applications: industrial automation equipment, aviation, medical, high-speed rail, communication equipment, electrical cabinet and other equipment



订购型号 C-1136-B

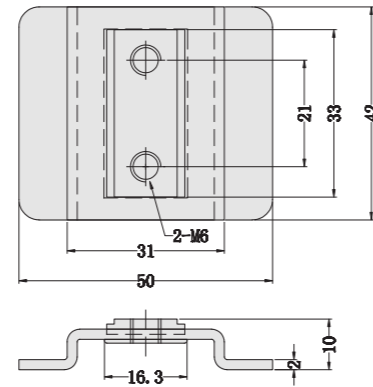
- 材质：不锈钢
- 表面处理：研磨
- 特性：耐腐蚀性优异，外形独特，装配方便。
- 用途：工业自动化设备、航空、医疗、高铁、通信设备、电柜箱体及其它设备
- Material: Stainless steel (S)
- Surface treatment: grinding
- Characteristics: excellent corrosion resistance, unique shape and fittingWith convenient.
- Applications: industrial automation equipment, aviation, medical, high-speed rail, communication equipment, electrical cabinet and other equipment



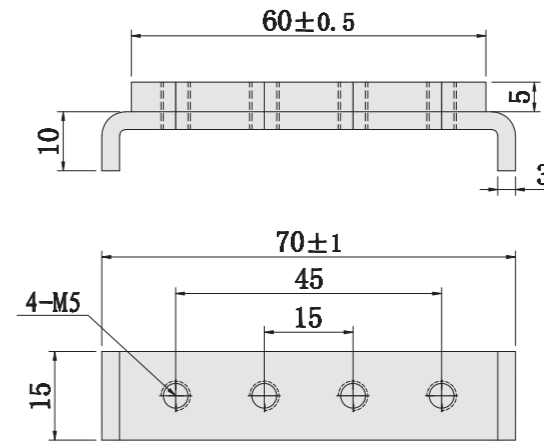
K	脚轮系列
G	气弹簧系列
KC	脚杯系列
A	拉手系列
B	合页系列
C	螺栓/螺母/垫圈系列
P	旋钮系列
X	锁具系列



- 材质: 碳钢+铜
  - 表面处理: 镀铜
  - 特性: 接地端子, 导电性优
  - 用途: 工业自动化设备、航空、医疗、高铁、通信设备、电柜箱体及其它设备
- Material: Carbon steel + Copper
  - Surface treatment: copper plating
  - Characteristics: grounding terminal, excellent electrical conductivity
  - Applications: industrial automation equipment, aviation, medical, high-speed rail, communication equipment, electrical cabinet and other equipment



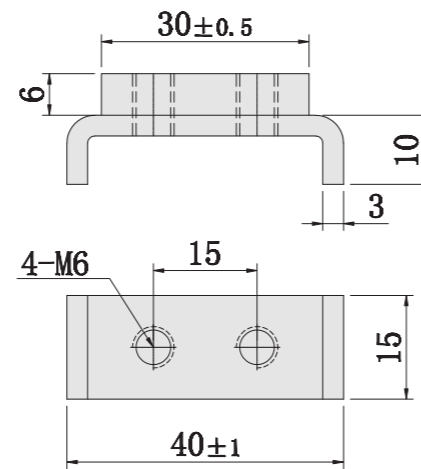
- 材质: 碳钢+铜
  - 表面处理: 镀铜
  - 特性: 接地端子, 导电性优
  - 用途: 工业自动化设备、航空、医疗、高铁、通信设备、电柜箱体及其它设备
- Material: Carbon steel + Copper
  - Surface treatment: copper plating
  - Characteristics: grounding terminal, excellent electrical conductivity
  - Applications: industrial automation equipment, aviation, medical, high-speed rail, communication equipment, electrical cabinet and other equipment



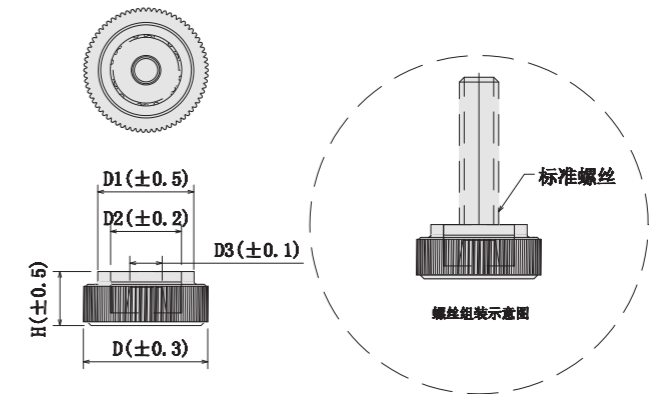
K	脚轮系列
G	气弹簧系列
KC	脚杯系列
A	拉手系列
B	合页系列
C	螺栓/螺母/垫圈系列
P	旋钮系列
X	锁具系列



- 材质: 碳钢+铜
  - 表面处理: 镀铜
  - 特性: 接地端子, 导电性优
  - 用途: 工业自动化设备、航空、医疗、高铁、通信设备、电柜箱体及其它设备
- Material: Carbon steel + Copper
  - Surface treatment: copper plating
  - Characteristics: grounding terminal, excellent electrical conductivity
  - Applications: industrial automation equipment, aviation, medical, high-speed rail, communication equipment, electrical cabinet and other equipment



- 材质: 塑料
  - 表面处理: 黑色
  - 特性: 用途广泛, 装配方便。
  - 用途: 工业自动化设备、航空、医疗、高铁、通信设备、电柜箱体及其它设备
- Material: Plastic
  - Surface finish: black
  - Features: Widely used, easy to assemble.
  - Applications: industrial automation equipment, aviation, medical, high-speed rail, communication equipment, electrical cabinet and other equipment





K 脚轮系列

G 气弹簧系列

KC 脚杯系列

A 拉手系列

B 合页系列

C 电磁锁/磁扣系列

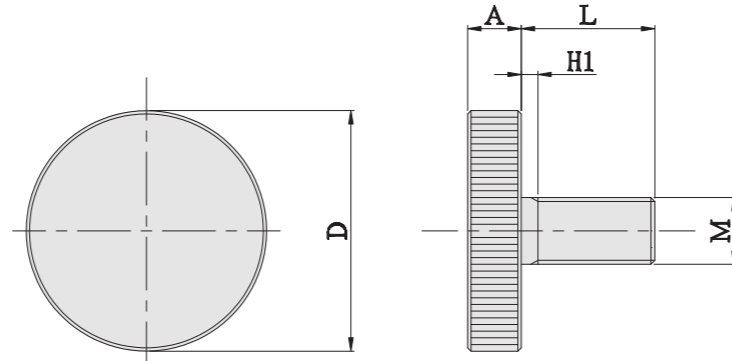
P 旋钮系列

X 锁具系列



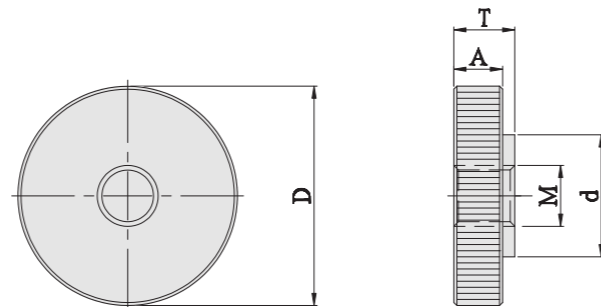
- 材质: 不锈钢SUS303
- 表面处理: 发纹处理
- 特性: 不锈钢小直径压纹旋钮, 可节省空间, 耐腐蚀性优异, 方便美观低, 使用范围广。
- 用途: 工业自动化设备、航空、医疗、高铁、通信设备、电柜箱体及其它设备
- Material: stainless steel SUS303
- Surface treatment: hair treatment
- Features: stainless steel small diameter embossed knob, can save space, excellent corrosion resistance, convenient and beautifulLow, wide range of use.
- Applications: industrial automation equipment, aviation, medical, high-speed rail, communication equipment, electrical cabinet and other equipment

MODEL NO.	M	A	D	A	H1
MATERIAL: STAINLESS STEEL 303					
P-1001S-3-12-10	3	10	12	2.5	1
P-1001S-3-12-16	3	16	12	2.5	1
P-1001S-4-16-10	4	10	16	3.5	1.5
P-1001S-4-16-16	4	16	16	3.5	1.5
P-1001S-4-16-20	4	20	16	3.5	1.5
P-1001S-5-20-10	5	10	20	4	1.5
P-1001S-5-20-16	5	16	20	4	1.5
P-1001S-5-20-20	5	20	20	4	1.5
P-1001S-5-20-25	5	25	20	4	1.5
P-1001S-6-24-10	6	10	24	5	1.5
P-1001S-6-24-16	6	16	24	5	1.5
P-1001S-6-24-20	6	20	24	5	1.5
P-1001S-6-24-25	6	25	24	5	1.5
P-1001S-8-30-16	8	16	30	6	2
P-1001S-8-30-20	8	20	30	6	2
P-1001S-8-30-25	8	25	30	6	2
P-1001S-8-30-30	8	30	30	6	2
P-1001S-10-36-20	10	20	36	8	2.5
P-1001S-10-36-25	10	25	36	8	2.5
P-1001S-10-36-30	10	30	36	8	2.5



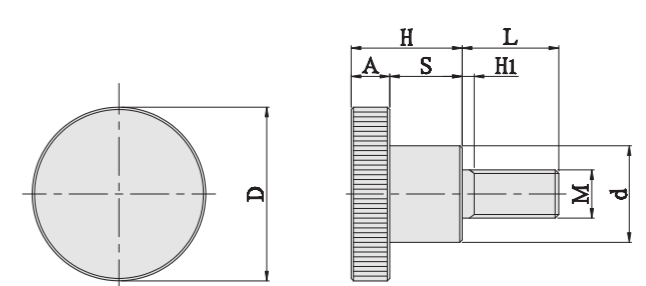
- 材质: 不锈钢SUS303
- 表面处理: 发纹处理
- 特性: 不锈钢小直径压纹旋钮, 可节省空间, 耐腐蚀性优异, 方便美观低, 使用范围广。
- 用途: 工业自动化设备、航空、医疗、高铁、通信设备、电柜箱体及其它设备
- Material: stainless steel SUS303
- Surface treatment: hair treatment
- Features: stainless steel small diameter embossed knob, can save space, excellent corrosion resistance, convenient and beautifulLow, wide range of use.
- Applications: industrial automation equipment, aviation, medical, high-speed rail, communication equipment, electrical cabinet and other equipment

MODEL NO.	M	D	T	A	D
MATERIAL: STAINLESS STEEL 303					
P-1002S-3-12	3	12	3	2.5	6
P-1002S-4-16	4	16	4	3.5	8
P-1002S-5-20	5	20	5	4	10
P-1002S-6-24	6	24	6	5	12
P-1002S-8-30	8	30	8	6	16
P-1002S-10-36	10	36	10	8	20



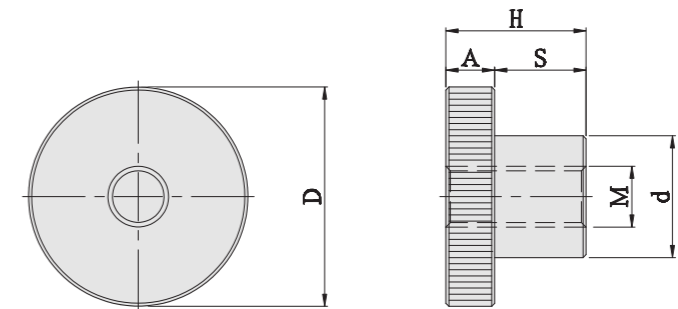
- 材质: 不锈钢SUS303
- 表面处理: 发纹处理
- 特性: 不锈钢小直径压纹旋钮, 可节省空间, 耐腐蚀性优异, 方便美观低, 使用范围广。
- 用途: 工业自动化设备、航空、医疗、高铁、通信设备、电柜箱体及其它设备
- Material: stainless steel SUS303
- Surface treatment: hair treatment
- Features: stainless steel small diameter embossed knob, can save space, excellent corrosion resistance, convenient and beautifulLow, wide range of use.
- Applications: industrial automation equipment, aviation, medical, high-speed rail, communication equipment, electrical cabinet and other equipment

MODEL NO.	M	L	D	D	A	H	S	H1
MATERIAL: STAINLESS STEEL 303								
P-1003S-3-12-10	3	10	12	6	2.5	7.5	5	1
P-1003S-3-12-16	3	16	12	6	2.5	7.5	5	1
P-1003S-4-16-10	4	10	16	8	3.5	9.5	6	1.5
P-1003S-4-16-16	4	16	16	8	3.5	9.5	6	1.5
P-1003S-4-16-20	4	20	16	8	3.5	9.5	6	1.5
P-1003S-5-20-10	5	10	20	10	4	11.5	7.5	1.5
P-1003S-5-20-16	5	16	20	10	4	11.5	7.5	1.5
P-1003S-5-20-20	5	20	20	10	4	11.5	7.5	1.5
P-1003S-5-20-25	5	25	20	10	4	11.5	7.5	1.5
P-1003S-6-24-10	6	10	24	12	5	15	10	1.5
P-1003S-6-24-16	6	16	24	12	5	15	10	1.5
P-1003S-6-24-20	6	20	24	12	5	15	10	1.5
P-1003S-6-24-25	6	25	24	12	5	15	10	1.5
P-1003S-8-30-16	8	16	30	16	6	18	12	2
P-1003S-8-30-20	8	20	30	16	6	18	12	2
P-1003S-8-30-25	8	25	30	16	6	18	12	2
P-1003S-8-30-30	8	30	30	16	6	18	12	2
P-1003S-10-36-20	10	20	36	20	8	23	15	2.5
P-1003S-10-36-25	10	25	36	20	8	23	15	2.5
P-1003S-10-36-30	10	30	36	20	8	23	15	2.5



- 材质: 不锈钢SUS303
- 表面处理: 发纹处理
- 特性: 不锈钢小直径压纹旋钮, 可节省空间, 耐腐蚀性优异, 方便美观低, 使用范围广。
- 用途: 工业自动化设备、航空、医疗、高铁、通信设备、电柜箱体及其它设备
- Material: stainless steel SUS303
- Surface treatment: hair treatment
- Features: stainless steel small diameter embossed knob, can save space, excellent corrosion resistance, convenient and beautifulLow, wide range of use.
- Applications: industrial automation equipment, aviation, medical, high-speed rail, communication equipment, electrical cabinet and other equipment

MODEL NO.	M	D	H	A	S	D
MATERIAL: STAINLESS STEEL 303						
P-1004S-3-12	3	12	7.5	2.5	5	6
P-1004S-4-16	4	16	9.5	3.5	6	8
P-1004S-5-20	5	20	11.5	4	7.5	10
P-1004S-6-24	6	24	15	5	10	12
P-1004S-8-30	8	30	18	6	12	16
P-1004S-10-36	10	36	23	8	15	20



K 脚轮系列

G 气弹簧系列

KC 脚杯系列

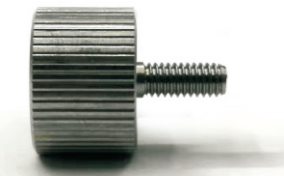
A 拉手系列

B 合页系列

C 电磁锁/搭扣系列

P 旋钮系列

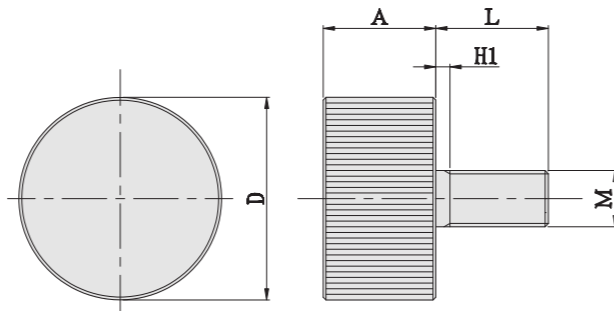
X 锁具系列



订购型号 P-1005S

MODEL NO.	M	L	D	A	H1
P-1005S-3-12-10	3	10	12	8	1
P-1005S-4-16-10	4	10	16	11	1.5
P-1005S-4-16-16	4	16	16	11	1.5
P-1005S-5-20-10	5	10	20	12	1.5
P-1005S-5-20-16	5	16	20	12	1.5
P-1005S-5-20-20	5	20	20	12	1.5
P-1005S-6-24-10	6	10	24	15	1.5
P-1005S-6-24-16	6	16	24	15	1.5
P-1005S-6-24-20	6	20	24	15	1.5
P-1005S-6-24-25	6	25	24	15	1.5
P-1005S-8-30-16	8	16	30	15	2
P-1005S-8-30-20	8	20	30	15	2
P-1005S-8-30-25	8	25	30	15	2
P-1005S-8-30-30	8	30	30	15	2
P-1005S-10-36-20	10	20	36	20	2.5
P-1005S-10-36-25	10	25	36	20	2.5
P-1005S-10-36-30	10	30	36	20	2.5

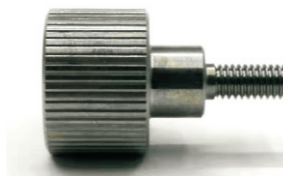
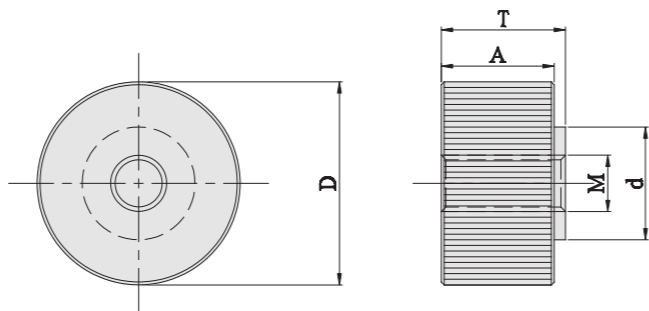
- 材质: 不锈钢SUS303
- 表面处理: 发纹处理
- 特性: 不锈钢小直径压纹旋钮, 可节省空间, 耐腐蚀性优异, 方便美观, 使用范围广。
- 用途: 工业自动化设备、航空、医疗、高铁、通信设备、电柜箱体及其它设备
- Material: stainless steel SUS303
- Surface treatment: hair treatment
- Features: stainless steel small diameter embossed knob, can save space, excellent corrosion resistance, convenient and beautiful, wide range of use.
- Applications: industrial automation equipment, aviation, medical, high-speed rail, communication equipment, electrical cabinet and other equipment



订购型号 P-1006S

MODEL NO.	M	D	T	A	D
P-1006S-3-12	3	12	9	8	6
P-1006S-4-16	4	16	12	11	8
P-1006S-5-20	5	20	13	12	10
P-1006S-6-24	6	24	16	15	12
P-1006S-8-30	8	30	17	15	16
P-1006S-10-36	10	36	22	20	20

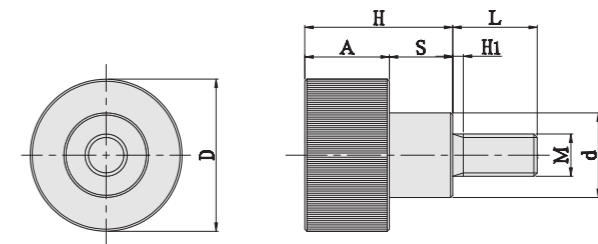
- 材质: 不锈钢SUS303
- 表面处理: 发纹处理
- 特性: 不锈钢小直径压纹旋钮, 可节省空间, 耐腐蚀性优异, 方便美观, 使用范围广。
- 用途: 工业自动化设备、航空、医疗、高铁、通信设备、电柜箱体及其它设备
- Material: stainless steel SUS303
- Surface treatment: hair treatment
- Features: stainless steel small diameter embossed knob, can save space, excellent corrosion resistance, convenient and beautiful, wide range of use.
- Applications: industrial automation equipment, aviation, medical, high-speed rail, communication equipment, electrical cabinet and other equipment



订购型号 P-1007S

MODEL NO.	M	L	D	D	A	H	S	H1
P-1007S-3-12-10	3	10	12	6	8	13	5	1
P-1007S-4-16-10	4	10	16	8	11	17	6	1.5
P-1007S-4-16-16	4	16	16	8	11	17	6	1.5
P-1007S-5-20-10	5	10	20	10	12	19.5	7.5	1.5
P-1007S-5-20-16	5	16	20	10	12	19.5	7.5	1.5
P-1007S-5-20-20	5	20	20	10	12	19.5	7.5	1.5
P-1007S-6-24-10	6	10	24	12	15	25	10	1.5
P-1007S-6-24-16	6	16	24	12	15	25	10	1.5
P-1007S-6-24-20	6	20	24	12	15	25	10	1.5
P-1007S-6-24-25	6	25	24	12	15	25	10	1.5
P-1007S-8-30-16	8	16	30	16	15	27	12	2
P-1007S-8-30-20	8	20	30	16	15	27	12	2
P-1007S-8-30-25	8	25	30	16	15	27	12	2
P-1007S-8-30-30	8	30	30	16	15	27	12	2
P-1007S-10-36-20	10	20	36	20	20	35	15	2.5
P-1007S-10-36-25	10	25	36	20	20	35	15	2.5
P-1007S-10-36-30	10	30	36	20	20	35	15	2.5

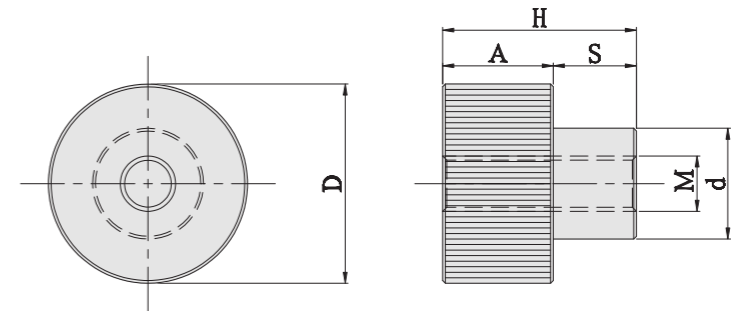
- 材质: 不锈钢SUS303
- 表面处理: 发纹处理
- 特性: 不锈钢小直径压纹旋钮, 可节省空间, 耐腐蚀性优异, 方便美观, 使用范围广。
- 用途: 工业自动化设备、航空、医疗、高铁、通信设备、电柜箱体及其它设备
- Material: stainless steel SUS303
- Surface treatment: hair treatment
- Features: stainless steel small diameter embossed knob, can save space, excellent corrosion resistance, convenient and beautiful, wide range of use.
- Applications: industrial automation equipment, aviation, medical, high-speed rail, communication equipment, electrical cabinet and other equipment



订购型号 P-1008S

MODEL NO.	M	D	D	H	A	S
P-1008S-3-12	3	12	6	13	8	5
P-1008S-4-16	4	16	8	17	11	6
P-1008S-5-20	5	20	10	19.5	12	7.5
P-1008S-6-24	6	24	12	25	15	10
P-1008S-8-30	8	30	16	27	15	12
P-1008S-10-36	10	36	20	35	20	15

- 材质: 不锈钢SUS303
- 表面处理: 发纹处理
- 特性: 不锈钢小直径压纹旋钮, 可节省空间, 耐腐蚀性优异, 方便美观, 使用范围广。
- 用途: 工业自动化设备、航空、医疗、高铁、通信设备、电柜箱体及其它设备
- Material: stainless steel SUS303
- Surface treatment: hair treatment
- Features: stainless steel small diameter embossed knob, can save space, excellent corrosion resistance, convenient and beautiful, wide range of use.
- Applications: industrial automation equipment, aviation, medical, high-speed rail, communication equipment, electrical cabinet and other equipment



K 脚轮系列

G 气弹簧系列

KC 脚杯系列

A 拉手系列

B 合页系列

C 电磁锁/搭扣系列

P 旋钮系列

X 锁具系列

K 脚轮系列

G 气弹簧系列

KC 脚杯系列

A 拉手系列

B 合页系列

C 电磁锁/挂扣系列

P 旋钮系列

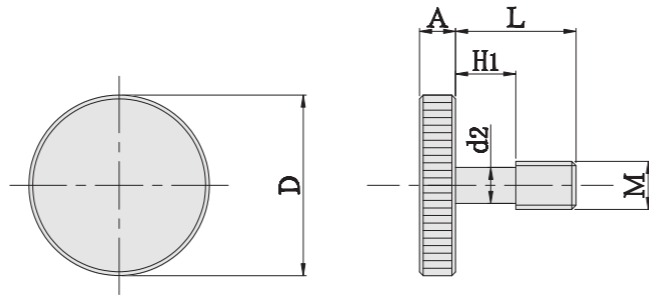
X 锁具系列



订购型号 P-1009S

- 材质: 不锈钢SUS303
- 表面处理: 发纹处理
- 特性: 不锈钢小直径压纹旋钮, 可节省空间, 耐腐蚀性优异, 方便美观低, 使用范围广。
- 用途: 工业自动化设备、航空、医疗、高铁、通信设备、电柜箱体及其它设备
- Material: stainless steel SUS303
- Surface treatment: hair treatment
- Features: stainless steel small diameter embossed knob, can save space, excellent corrosion resistance, convenient and beautifulLow, wide range of use.
- Applications: industrial automation equipment, aviation, medical, high-speed rail, communication equipment, electrical cabinet and other equipment

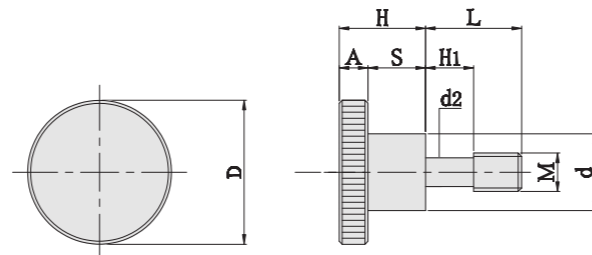
MODEL NO.	M	L	D	A	D2	H1
MATERIAL: STAINLESS STEEL 303						
P-1009S-3-12-10	3	10	12	2.5	2	6
P-1009S-4-16-10	4	10	16	3.5	3	5
P-1009S-4-16-15	4	15	16	3.5	3	10
P-1009S-5-20-10	5	10	20	4	3.8	4
P-1009S-5-20-15	5	15	20	4	3.8	9
P-1009S-5-20-20	5	20	20	4	3.8	14
P-1009S-6-24-15	6	15	24	5	4.5	7
P-1009S-6-24-20	6	20	24	5	4.5	12
P-1009S-6-24-30	6	30	24	5	4.5	22
P-1009S-8-30-20	8	20	30	6	6	10
P-1009S-8-30-30	8	30	30	6	6	20



订购型号 P-1010S

- 材质: 不锈钢SUS303
- 表面处理: 发纹处理
- 特性: 不锈钢小直径压纹旋钮, 可节省空间, 耐腐蚀性优异, 方便美观低, 使用范围广。
- 用途: 工业自动化设备、航空、医疗、高铁、通信设备、电柜箱体及其它设备
- Material: stainless steel SUS303
- Surface treatment: hair treatment
- Features: stainless steel small diameter embossed knob, can save space, excellent corrosion resistance, convenient and beautifulLow, wide range of use.
- Applications: industrial automation equipment, aviation, medical, high-speed rail, communication equipment, electrical cabinet and other equipment

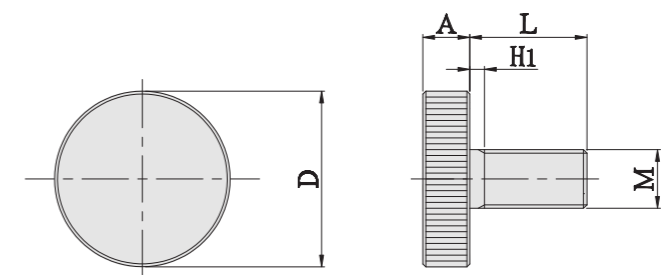
MODEL NO.	M	L	D	D	A	H	S	D2	H1
MATERIAL: STAINLESS STEEL 303									
P-1010S-3-12-10	3	10	12	6	2.5	7.5	5	2	6
P-1010S-4-16-10	4	10	16	8	3.5	9.5	6	3	5
P-1010S-4-16-15	4	15	16	8	3.5	9.5	6	3	10
P-1010S-5-20-10	5	10	20	10	4	11.5	7.5	3.8	4
P-1010S-5-20-15	5	15	20	10	4	11.5	7.5	3.8	9
P-1010S-5-20-20	5	20	20	10	4	11.5	7.5	3.8	14
P-1010S-6-24-15	6	15	24	12	5	15	10	4.5	7
P-1010S-6-24-20	6	20	24	12	5	15	10	4.5	12
P-1010S-6-24-30	6	30	24	12	5	15	10	4.5	22
P-1010S-8-30-20	8	20	30	16	6	18	12	6	10
P-1010S-8-30-30	8	30	30	16	6	18	12	6	20



订购型号 P-1011S

- 材质: 不锈钢SUS303
- 表面处理: 发纹处理
- 特性: 不锈钢小直径压纹旋钮, 可节省空间, 耐腐蚀性优异, 方便美观低, 使用范围广。
- 用途: 工业自动化设备、航空、医疗、高铁、通信设备、电柜箱体及其它设备
- Material: stainless steel SUS303
- Surface treatment: hair treatment
- Features: stainless steel small diameter embossed knob, can save space, excellent corrosion resistance, convenient and beautifulLow, wide range of use.
- Applications: industrial automation equipment, aviation, medical, high-speed rail, communication equipment, electrical cabinet and other equipment

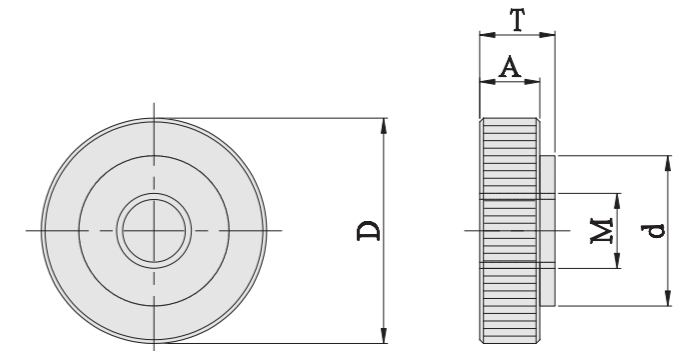
MODEL NO.	M	L	D	A	H1
MATERIAL: STAINLESS STEEL 303					
P-1011S-3-10-10	3	10	10	2.5	1
P-1011S-4-12-10	4	10	12	3.5	1.5
P-1011S-4-12-16	4	16	12	3.5	1.5
P-1011S-5-16-10	5	10	16	4	1.5
P-1011S-5-16-16	5	16	16	4	1.5
P-1011S-5-16-20	5	20	16	4	1.5
P-1011S-6-20-10	6	10	20	5	1.5
P-1011S-6-20-16	6	16	20	5	1.5
P-1011S-6-20-20	6	20	20	5	1.5
P-1011S-6-20-25	6	25	20	5	1.5
P-1011S-8-26-16	8	16	26	6	2
P-1011S-8-26-20	8	20	26	6	2
P-1011S-8-26-25	8	25	26	6	2
P-1011S-8-26-30	8	30	26	6	2
P-1011S-10-30-20	10	20	30	8	2.5
P-1011S-10-30-25	10	25	30	8	2.5
P-1011S-10-30-30	10	30	30	8	2.5



订购型号 P-1012S

- 材质: 不锈钢SUS303
- 表面处理: 发纹处理
- 特性: 不锈钢小直径压纹旋钮, 可节省空间, 耐腐蚀性优异, 方便美观低, 使用范围广。
- 用途: 工业自动化设备、航空、医疗、高铁、通信设备、电柜箱体及其它设备
- Material: stainless steel SUS303
- Surface treatment: hair treatment
- Features: stainless steel small diameter embossed knob, can save space, excellent corrosion resistance, convenient and beautifulLow, wide range of use.
- Applications: industrial automation equipment, aviation, medical, high-speed rail, communication equipment, electrical cabinet and other equipment

MODEL NO.	M	D	T	A	D
MATERIAL: STAINLESS STEEL 303					
P-1012S-3-10	3	10	3	2.5	6
P-1012S-4-12	4	12	4	3.5	8
P-1012S-5-16	5	16	5	4	10
P-1012S-6-20	6	20	6	5	12
P-1012S-8-26	8	26	8	6	16
P-1012S-10-30	10	30	10	8	20



K 脚轮系列

G 气弹簧系列

KC 脚杯系列

A 拉手系列

B 合页系列

C 电磁锁/磁扣系列

P 旋钮系列

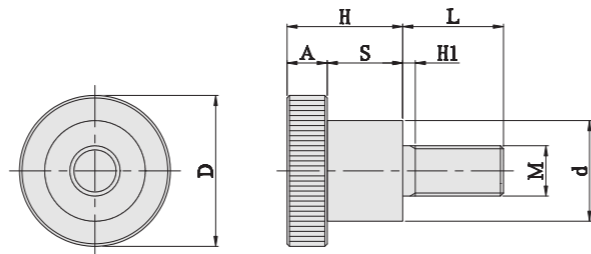
X 锁具系列



- 材质: 不锈钢SUS303
- 表面处理: 发纹处理
- 特性: 不锈钢小直径压纹旋钮, 可节省空间, 耐腐蚀性优异, 方便美观, 使用范围广。
- 用途: 工业自动化设备、航空、医疗、高铁、通信设备、电柜箱体及其它设备
- Material: stainless steel SUS303
- Surface treatment: hair treatment
- Features: stainless steel small diameter embossed knob, can save space, excellent corrosion resistance, convenient and beautiful, wide range of use.
- Applications: industrial automation equipment, aviation, medical, high-speed rail, communication equipment, electrical cabinet and other equipment

订购型号 P-1013S

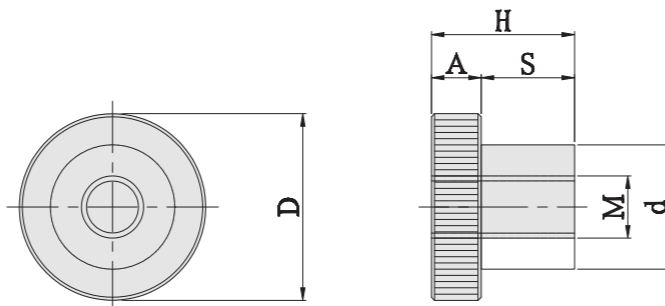
MODEL NO.	M	L	D	A	H	S	H1
P-1013S-3-10-10	3	10	10	6	2.5	7.5	5
P-1013S-4-12-10	4	10	12	8	3.5	9.5	6
P-1013S-4-12-16	4	16	12	8	3.5	9.5	6
P-1013S-5-16-10	5	10	16	10	4	11.5	7.5
P-1013S-5-16-16	5	16	16	10	4	11.5	7.5
P-1013S-5-16-20	5	20	16	10	4	11.5	7.5
P-1013S-6-20-10	6	10	20	12	5	15	10
P-1013S-6-20-16	6	16	20	12	5	15	10
P-1013S-6-20-20	6	20	20	12	5	15	10
P-1013S-6-20-25	6	25	20	12	5	15	10
P-1013S-8-26-16	8	16	26	16	6	18	12
P-1013S-8-26-20	8	20	26	16	6	18	12
P-1013S-8-26-25	8	25	26	16	6	18	12
P-1013S-8-26-30	8	30	26	16	6	18	12
P-1013S-10-30-20	10	20	30	20	8	23	15
P-1013S-10-30-25	10	25	30	20	8	23	15
P-1013S-10-30-30	10	30	30	20	8	23	15



- 材质: 不锈钢SUS303
- 表面处理: 发纹处理
- 特性: 不锈钢小直径压纹旋钮, 可节省空间, 耐腐蚀性优异, 方便美观, 使用范围广。
- 用途: 工业自动化设备、航空、医疗、高铁、通信设备、电柜箱体及其它设备
- Material: stainless steel SUS303
- Surface treatment: hair treatment
- Features: stainless steel small diameter embossed knob, can save space, excellent corrosion resistance, convenient and beautiful, wide range of use.
- Applications: industrial automation equipment, aviation, medical, high-speed rail, communication equipment, electrical cabinet and other equipment

订购型号 P-1014S

MODEL NO.	M	D	A	S	H	D
P-1014S-3-10	3	10	2.5	5	7.5	6
P-1014S-4-12	4	12	3.5	6	9.5	8
P-1014S-5-16	5	16	4	7.5	11.5	10
P-1014S-6-20	6	20	5	10	15	12
P-1014S-8-26	8	26	6	12	18	16
P-1014S-10-30	10	30	8	15	23	20



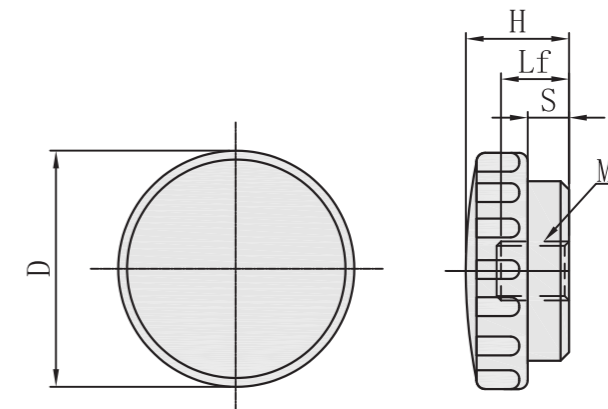
- 材质: 酚醛
- 表面处理: 黑色
- 特性: 直纹旋钮, 防火阻燃性能好, 导热低, 使用范围广。
- 用途: 工业自动化设备、航空、医疗、高铁、通信设备、电柜箱体及其它设备
- Material: Bakelite
- Surface finish: black
- Features: Flat top star knob, good fire retardant performance, heat conductionLow, wide range of use.
- Applications: industrial automation equipment, aviation, medical, high-speed rail, communication equipment, electrical cabinet and other equipment

订购型号 P-2751W-A

MODEL NO.	M	LF	D	H	S	D
P-2751W (A TYPE)	4	5	14	11	3	10
P-2751W (A TYPE)	5	6	18	13	3	12
P-2751W (A TYPE)	6	6	22	14	5	16
P-2751W (A TYPE)	8	6	25	16	6	19
P-2751W (A TYPE)	10	10	40	18	7	29

ORDER INSTRUCTIONS: M STANDS FOR THREAD, D STANDS FOR OUTER DIAMETER, LF STANDS FOR INNER THREAD DEPTH.

EXAMPLE: P-2751W (A TYPE) M4\*14



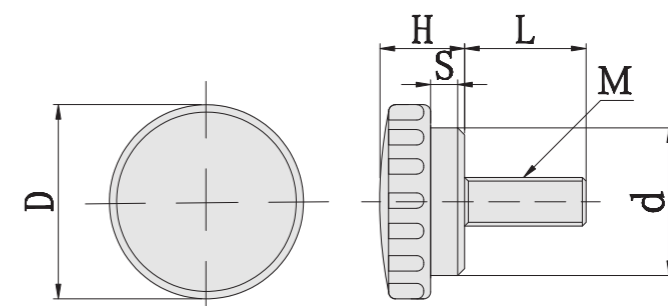
- 材质: 酚醛
- 表面处理: 黑色
- 特性: 直纹旋钮, 防火阻燃性能好, 导热低, 使用范围广。
- 用途: 工业自动化设备、航空、医疗、高铁、通信设备、电柜箱体及其它设备
- Material: Bakelite
- Surface finish: black
- Features: Flat top star knob, good fire retardant performance, heat conductionLow, wide range of use.
- Applications: industrial automation equipment, aviation, medical, high-speed rail, communication equipment, electrical cabinet and other equipment

订购型号 P-2751W-B

MODEL NO.	M	L	D	H	S	D
P-2751W (B TYPE)	4	10	15	10	3	10.5
P-2751W (B TYPE)	4	15	15	10	3	10.5
P-2751W (B TYPE)	5	10	18.5	12	3	12
P-2751W (B TYPE)	5	15	18.5	12	3	12
P-2751W (B TYPE)	5	20	18.5	12	3	12
P-2751W (B TYPE)	6	10	22	14	5	15.5
P-2751W (B TYPE)	6	15	22	14	5	15.5
P-2751W (B TYPE)	6	20	22	14	5	15.5
P-2751W (B TYPE)	8	15	26	17	5	19
P-2751W (B TYPE)	8	25	26	17	5	19
P-2751W (B TYPE)	10	25	40	21	6	29

ORDER INSTRUCTIONS: M STANDS FOR THREAD, D STANDS FOR OUTER DIAMETER, L STANDS FOR OUTER THREAD DEPTH.

EXAMPLE: P-2751W (B TYPE) M4\*14\*10





K  
脚轮系列

G  
气弹簧系列

KC  
脚杯系列

A  
拉手系列

B  
合页系列

C  
电磁锁/磁扣系列

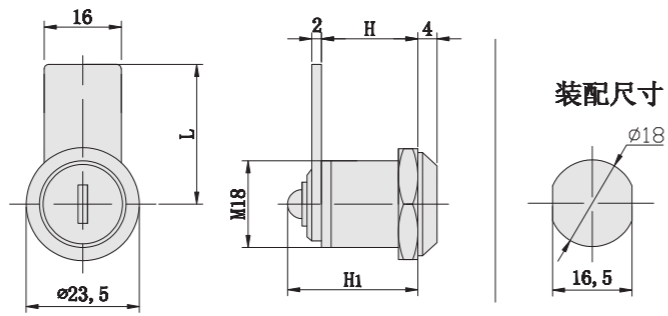
P  
旋钮系列

X  
锁具系列

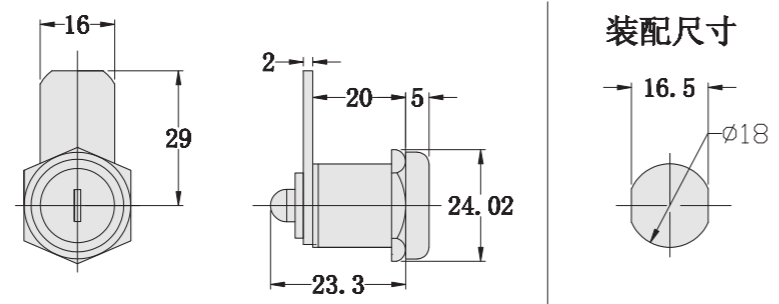


- 材质: 锌合金
- 表面处理: 镀铬
- 特性: 锌合金锁体, 镀锌钢板螺栓超薄形平面, 外形美观, 防水性能强, 用途广泛, 钥匙旋转90度或180度开启
- 用途: 工业自动化设备、航空、医疗、高铁、通信设备、电柜箱体及其它设备
- Material: zinc alloy
- Surface treatment: chrome plating
- Features: Zinc alloy lock body, zinc plated steel bolt ultra thin flat shape, beautiful appearance, antiWater performance is strong, versatile, key rotation 90 degrees or 180 degrees open
- Applications: industrial automation equipment, aviation, medical, high-speed rail, communication equipment, electrical cabinet and other equipment

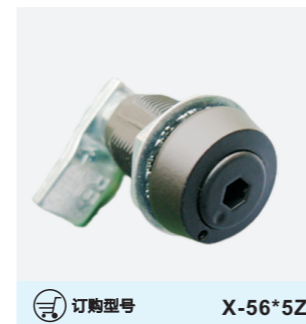
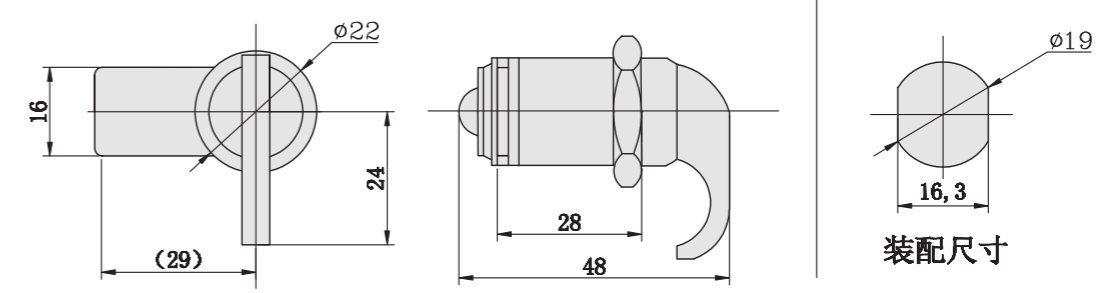
MODEL NO.	L1	H	H1
X-5402-1Z	39	30	37
X-5402-2Z	29	20	27
X-5402-3Z	29	16	23



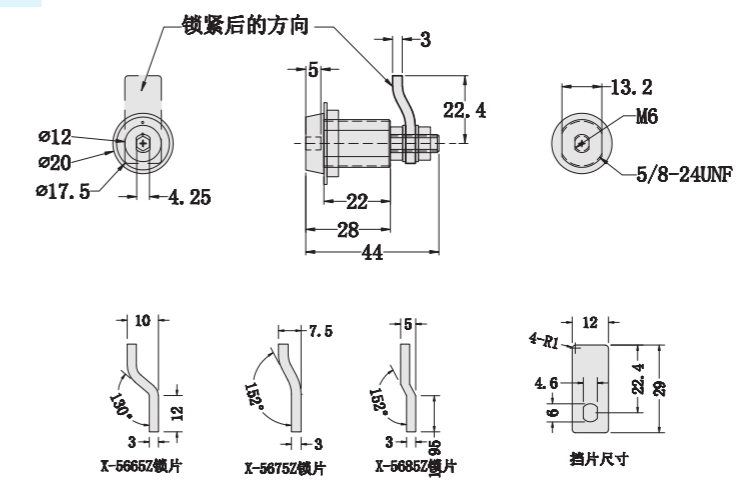
- 材质: 锌合金
- 表面处理: 镀铬
- 特性: 锌合金锁体, 镀锌钢板螺栓超薄形平面, 外形美观, 防水性能强, 用途广泛, 钥匙旋转90度或180度开启
- 用途: 工业自动化设备、航空、医疗、高铁、通信设备、电柜箱体及其它设备
- Material: zinc alloy
- Surface treatment: chrome plating
- Features: Zinc alloy lock body, zinc plated steel bolt ultra thin flat shape, beautiful appearance, antiWater performance is strong, versatile, key rotation 90 degrees or 180 degrees open
- Applications: industrial automation equipment, aviation, medical, high-speed rail, communication equipment, electrical cabinet and other equipment



- 材质: 锌合金
- 表面处理: 镀铬
- 特性: 锌合金锁体, 镀锌钢板螺栓超薄形平面, 外形美观, 防水性能强, 用途广泛, 钥匙旋转90度或180度开启
- 用途: 工业自动化设备、航空、医疗、高铁、通信设备、电柜箱体及其它设备
- Material: zinc alloy
- Surface treatment: chrome plating
- Features: Zinc alloy lock body, zinc plated steel bolt ultra thin flat shape, beautiful appearance, antiWater performance is strong, versatile, key rotation 90 degrees or 180 degrees open
- Applications: industrial automation equipment, aviation, medical, high-speed rail, communication equipment, electrical cabinet and other equipment



- 材质: 锌合金
- 表面处理: 镀铬
- 特性: 锌合金锁体, 镀锌钢板螺栓超薄形平面, 外形美观, 防水性能强, 用途广泛, 钥匙旋转90度或180度开启
- 用途: 工业自动化设备、航空、医疗、高铁、通信设备、电柜箱体及其它设备
- Material: zinc alloy
- Surface treatment: chrome plating
- Features: Zinc alloy lock body, zinc plated steel bolt ultra thin flat shape, beautiful appearance, antiWater performance is strong, versatile, key rotation 90 degrees or 180 degrees open
- Applications: industrial automation equipment, aviation, medical, high-speed rail, communication equipment, electrical cabinet and other equipment



K  
脚轮系列

G  
气弹簧系列

KC  
脚杯系列

A  
拉手系列

B  
合页系列

C  
电磁锁/磁扣系列

P  
旋钮系列

X  
锁具系列

K  
脚轮系列

G  
气弹簧系列

KC  
脚杯系列

A  
拉手系列

B  
合页系列

C  
电磁锁/磁扣系列

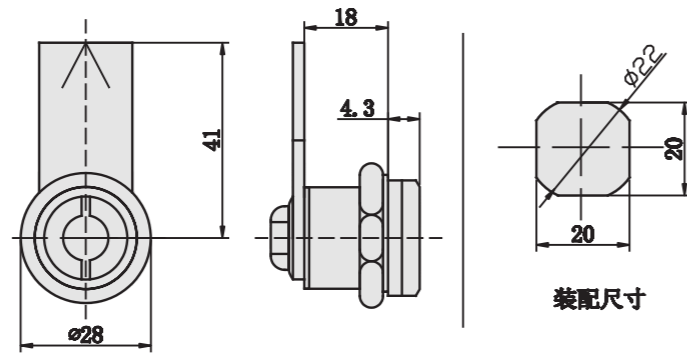
P  
旋钮系列

X  
锁具系列



订购型号 X-5705Z

- 材质: 锌合金
- 表面处理: 镀铬
- 特性: 锌合金锁体, 镀锌钢板螺栓超薄形平面, 外形美观, 防水性能强, 用途广泛, 钥匙旋转90度或180度开启
- 用途: 工业自动化设备、航空、医疗、高铁、通信设备、电柜箱体及其它设备
- Material: zinc alloy
- Surface treatment: chrome plating
- Features: Zinc alloy lock body, zinc plated steel bolt ultra thin flat shape, beautiful appearance, antiWater performance is strong, versatile, key rotation 90 degrees or 180 degrees open
- Applications: industrial automation equipment, aviation, medical, high-speed rail, communication equipment, electrical cabinet and other equipment

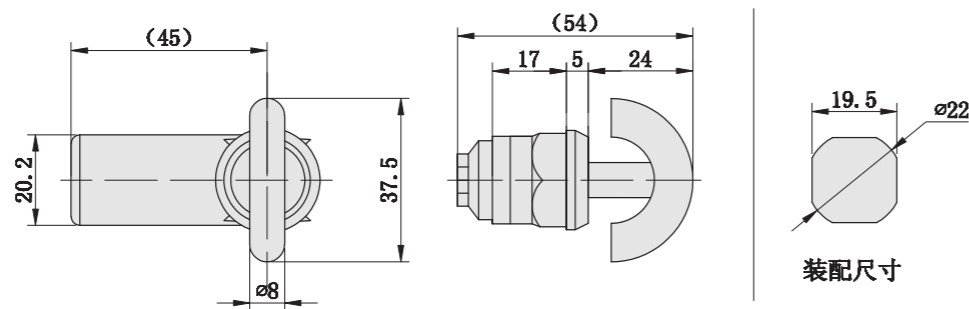


装配尺寸



订购型号 X-5706Z

- 材质: 锌合金
- 表面处理: 镀铬
- 特性: 锌合金锁体, 镀锌钢板螺栓超薄形平面, 外形美观, 防水性能强, 用途广泛, 钥匙旋转90度或180度开启
- 用途: 工业自动化设备、航空、医疗、高铁、通信设备、电柜箱体及其它设备
- Material: zinc alloy
- Surface treatment: chrome plating
- Features: Zinc alloy lock body, zinc plated steel bolt ultra thin flat shape, beautiful appearance, antiWater performance is strong, versatile, key rotation 90 degrees or 180 degrees open
- Applications: industrial automation equipment, aviation, medical, high-speed rail, communication equipment, electrical cabinet and other equipment

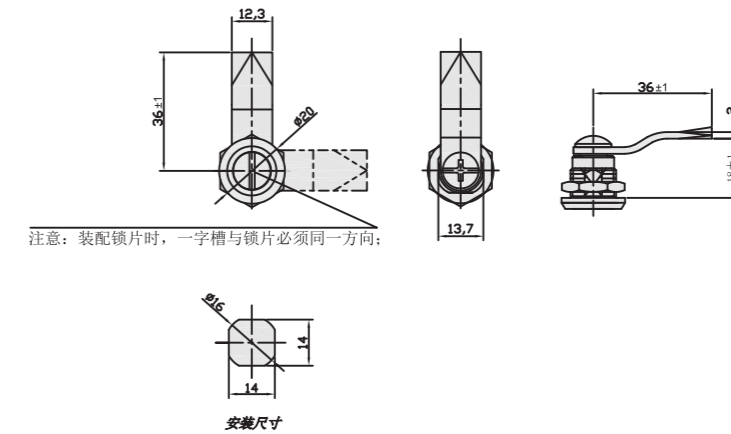


装配尺寸



订购型号 X-5111Z

- 材质: 锌合金
- 表面处理: 镀铬
- 特性: 锌合金锁体, 镀锌钢板螺栓超薄形平面, 外形美观, 防水性能强, 用途广泛, 钥匙旋转90度或180度开启
- 用途: 工业自动化设备、航空、医疗、高铁、通信设备、电柜箱体及其它设备
- Material: zinc alloy
- Finish: chrome plating
- Features: Zinc alloy lock body, galvanized steel bolt ultra-thin plane, beautiful appearance, waterproof performance, wide use, key rotation 90 degrees or 180 degrees open
- Applications: industrial automation equipment, aviation, medical, high-speed rail, communication equipment, electrical cabinet and other equipment



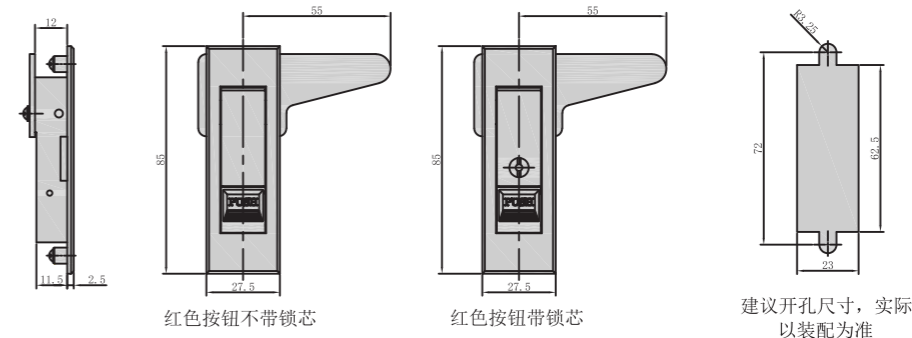
注意: 装配锁片时, 一字槽与锁片必须同一方向;

安装尺寸



订购型号 X-5603

- 材质: 锌合金
- 表面处理: 镀铬
- 特性: 按钮弹出锌合金锁体, 镀锌钢板螺栓, 超薄形平面, 外形美观。
- 用途: 工业自动化设备、航空、医疗、高铁、通信设备、电柜箱体及其它设备
- Material: zinc alloy
- Finish: chrome plating
- Features: Button popping zinc alloy lock body, galvanized steel bolt, ultra-thin plane, beautiful appearance.
- Applications: industrial automation equipment, aviation, medical, high-speed rail, communication equipment, electrical cabinet and other equipment



红色按钮不带锁芯

红色按钮带锁芯

建议开孔尺寸, 实际以装配为准

MODEL NO.	
X-5603-3-1	RED BUTTON (WITH KEY)
X-5603-3-2	RED BUTTON (WITHOUT KEY)

K  
脚轮系列

G  
气弹簧系列

KC  
脚杯系列

A  
拉手系列

B  
合页系列

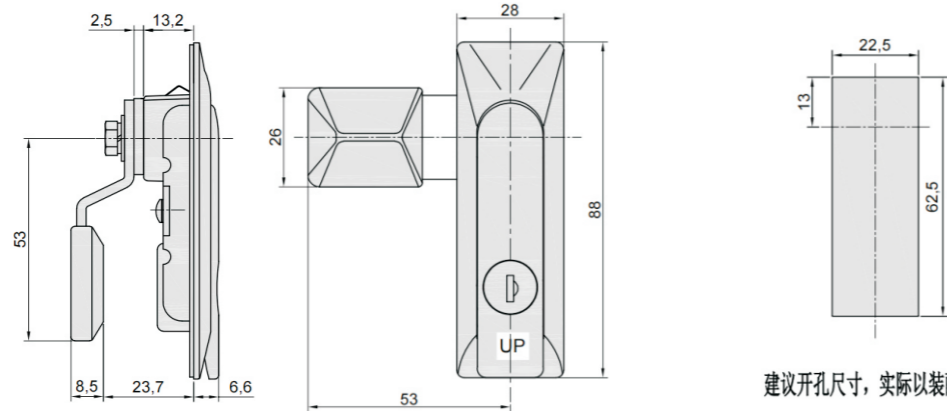
C  
磁吸/磁扣/磁扣系列

P  
旋钮系列

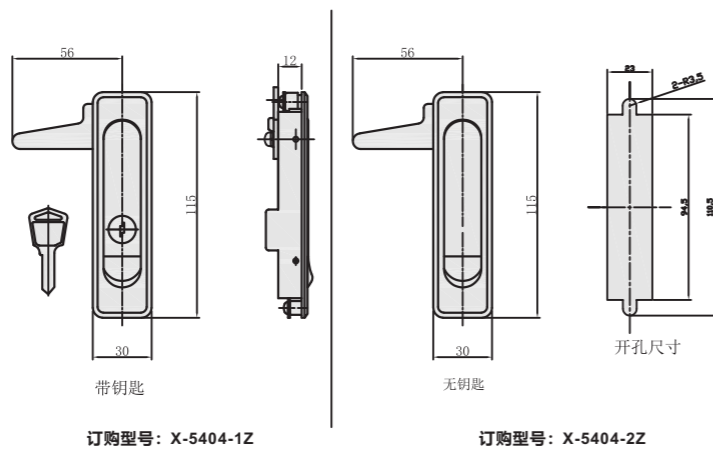
X  
锁具系列



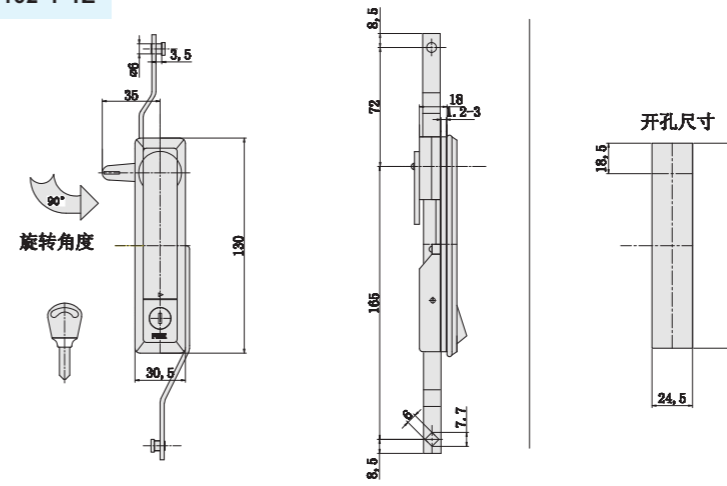
- 材质: 锌合金
- 表面处理: 镀铬
- 特性: 锌合金锁体, 镀锌钢板螺栓超薄形平面, 外形美观, 防水性能强, 用途广泛, 钥匙旋转90度或180度开启
- 用途: 工业自动化设备、航空、医疗、高铁、通信设备、电柜箱体及其它设备
- Material: zinc alloy
- Finish: chrome plating
- Features: Zinc alloy lock body, galvanized steel bolt ultra-thin plane, beautiful appearance, waterproof performance, wide use, key rotation 90 degrees or 180 degrees open
- Applications: industrial automation equipment, aviation, medical, high-speed rail, communication equipment, electrical cabinet and other equipment



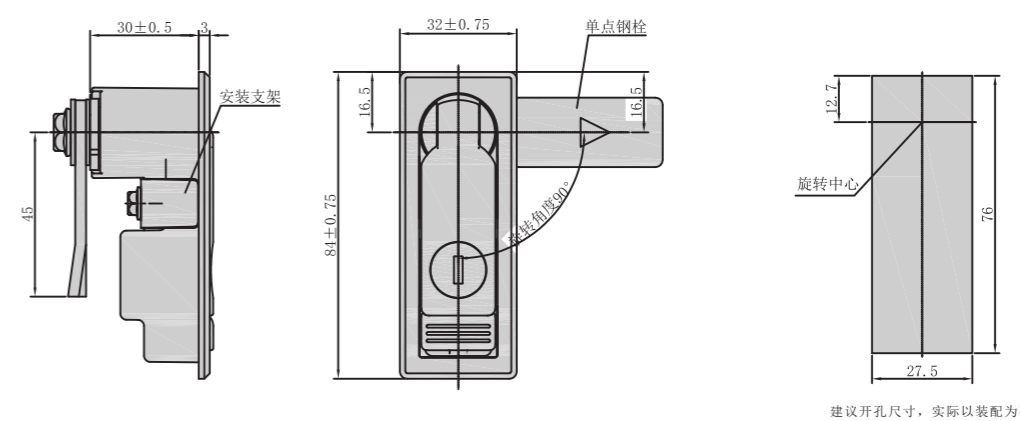
- 材质: 锌合金
- 表面处理: 镀铬
- 特性: 按钮弹出锌合金锁体, 镀锌钢板螺栓, 超薄形平面, 外形美观。
- 用途: 工业自动化设备、航空、医疗、高铁、通信设备、电柜箱体及其它设备
- Material: Stainless steel (S)
- Surface treatment: grinding
- Characteristics: excellent corrosion resistance, unique shape and fittingWith convenient.
- Applications: industrial automation equipment, aviation, medical, high-speed rail, communication equipment, electrical cabinet and other equipment



- 材质: 锌合金
- 表面处理: 镀铬
- 特性: 按钮弹出锌合金锁体, 镀锌钢板螺栓, 超薄形平面, 外形美观。
- 用途: 工业自动化设备、航空、医疗、高铁、通信设备、电柜箱体及其它设备
- Material: Stainless steel (S)
- Surface treatment: grinding
- Characteristics: excellent corrosion resistance, unique shape and fittingWith convenient.
- Applications: industrial automation equipment, aviation, medical, high-speed rail, communication equipment, electrical cabinet and other equipment



- 材质: 锌合金
- 表面处理: 喷漆
- 特性: 锌合金锁体, 镀锌钢板螺栓超薄形平面, 外形美观, 防水性能强, 用途广泛, 钥匙旋转90度或180度开启
- 用途: 工业自动化设备、航空、医疗、高铁、通信设备、电柜箱体及其它设备
- Material: zinc alloy
- Surface treatment: Spray paint
- Features: Zinc alloy lock body, zinc plated steel bolt ultra thin flat shape, beautiful appearance, antiWater performance is strong, versatile, key rotation 90 degrees or 180 degrees open
- Applications: industrial automation equipment, aviation, medical, high-speed rail, communication equipment, electrical cabinet and other equipment



K  
脚轮系列

G  
气弹簧系列

KC  
脚杯系列

A  
拉手系列

B  
合页系列

C  
磁吸/磁扣/磁扣系列

P  
旋钮系列

X  
锁具系列

K  
脚轮系列

G  
气弹簧系列

KC  
脚杯系列

A  
拉手系列

B  
合页系列

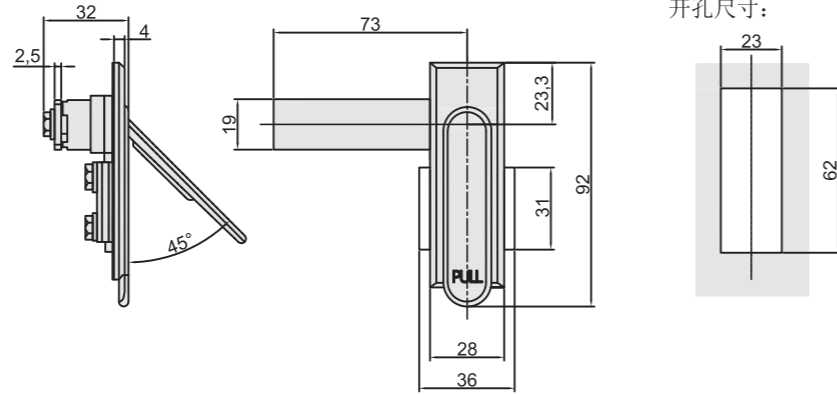
C  
电磁锁/磁扣系列

P  
旋钮系列

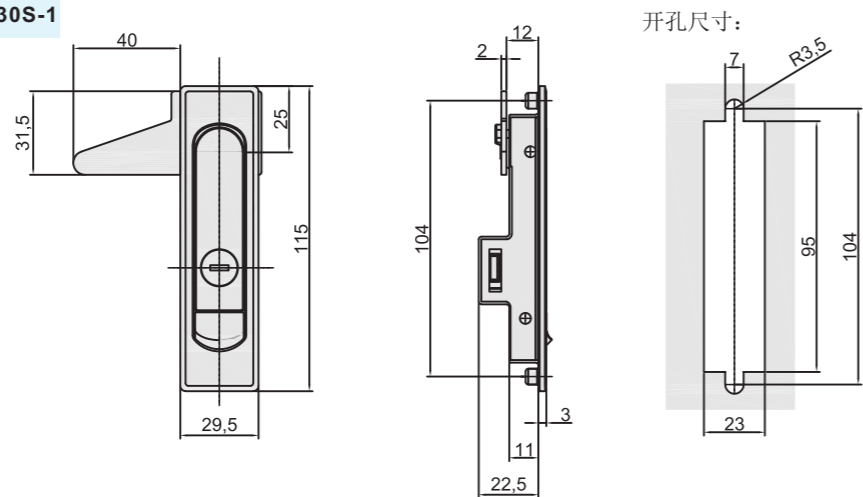
X  
锁具系列



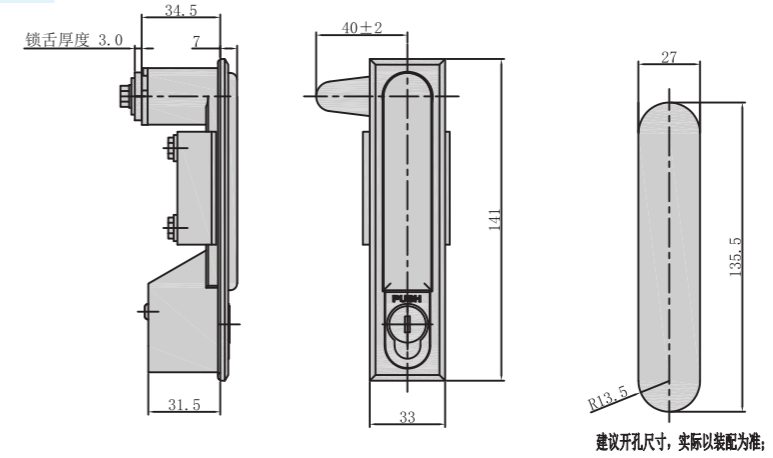
- 材质: 不锈钢
- 表面处理: 本色
- 特性: 不锈钢锁体, 外形美观, 用途广泛
- 用途: 工业自动化设备、航空、医疗、高铁、通信设备、电柜箱体及其它设备
- Material: Stainless steel
- Surface treatment: natural color
- Features: Stainless steel lock body, beautiful appearance, wide use
- Uses: industrial automation equipment, aviation, medical, high-speed rail, communication equipment, electrical cabinet and other equipment



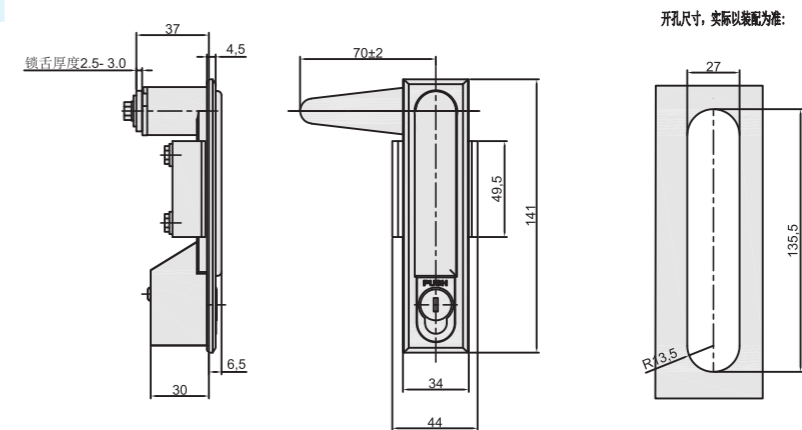
- 材质: 不锈钢
- 表面处理: 拉丝
- 特性: 不锈钢锁体, 外形美观, 用途广泛
- 用途: 工业自动化设备、航空、医疗、高铁、通信设备、电柜箱体及其它设备
- Material: Stainless steel
- Finish: brushed
- Features: Stainless steel lock body, beautiful appearance, wide use
- Applications: Industrial automation equipment, aviation, medical, High-speed rail, communication equipment, electrical cabinet and other equipment



- 材质: 锌合金
- 表面处理: 镀铬
- 特性: 锌合金锁体, 镀锌钢板螺栓超薄形平面, 外形美观, 防水性能强, 用途广泛, 钥匙旋转90度或180度开启
- 用途: 工业自动化设备、航空、医疗、高铁、通信设备、电柜箱体及其它设备
- Material: zinc alloy
- Finish: chrome plating
- Features: Zinc alloy lock body, zinc plated steel bolt ultra thin flat shape, beautiful appearance, antiWater performance is strong, versatile, key rotation 90 degrees or 180 degrees open
- Applications: industrial automation equipment, aviation, medical, high-speed rail, communication equipment, electrical cabinet and other equipment



- 材质: 不锈钢
- 表面处理: 拉丝
- 特性: 不锈钢锁体, 外形美观, 用途广泛
- 用途: 工业自动化设备、航空、医疗、高铁、通信设备、电柜箱体及其它设备
- Material: Stainless steel
- Finish: brushed
- Features: Stainless steel lock body, beautiful appearance, wide use
- Applications: Industrial automation equipment, aviation, medical, High-speed rail, communication equipment, electrical cabinet and other equipment



K  
脚轮系列

G  
气弹簧系列

KC  
脚杯系列

A  
拉手系列

B  
合页系列

C  
电磁锁/磁扣系列

P  
旋钮系列

X  
锁具系列



K  
脚轮系列

G  
气弹簧系列

KC  
脚杯系列

A  
拉手系列

B  
合页系列

C  
电磁锁/搭扣系列

P  
旋钮系列

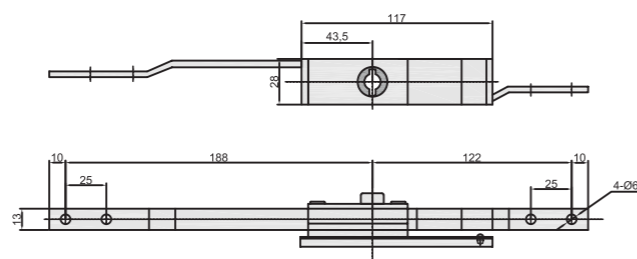
X  
锁具系列



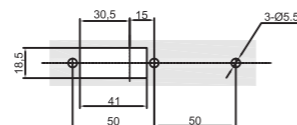
订购型号 X-5821S

- 材质: 不锈钢
- 表面处理: 拉丝
- 特性: 不锈钢锁体, 外形美观, 用途广泛
- 用途: 工业自动化设备、航空、医疗、高铁、通信设备、电柜箱体及其它设备

- Material: Stainless steel
- Finish: brushed
- Features: Stainless steel lock body, beautiful appearance, wide use
- Applications: Industrial automation equipment, aviation, medical, High-speed rail, communication equipment, electrical cabinet and other equipment



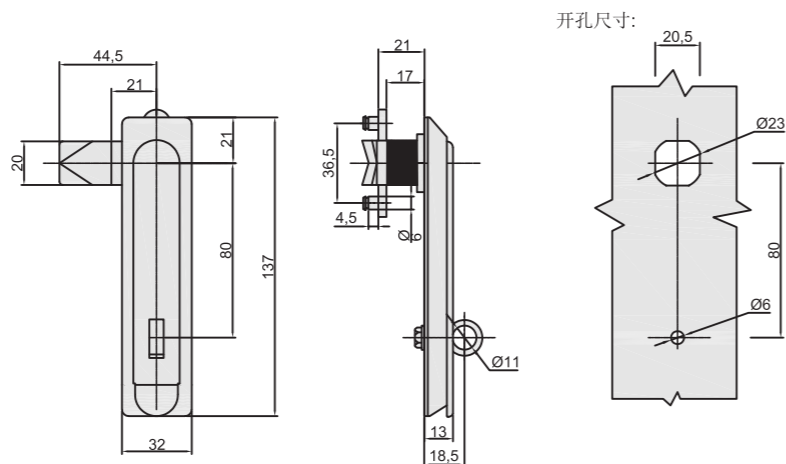
开孔尺寸:



订购型号 X-5834S

- 材质: 不锈钢
- 表面处理: 拉丝
- 特性: 不锈钢锁体, 外形美观, 用途广泛
- 用途: 工业自动化设备、航空、医疗、高铁、通信设备、电柜箱体及其它设备

- Material: Stainless steel
- Finish: brushed
- Features: Stainless steel lock body, beautiful appearance, wide use
- Applications: Industrial automation equipment, aviation, medical, High-speed rail, communication equipment, electrical cabinet and other equipment



开孔尺寸:

K  
脚轮系列

G  
气弹簧系列

KC  
脚杯系列

A  
拉手系列

B  
合页系列

C  
电磁锁/搭扣系列

P  
旋钮系列

X  
锁具系列



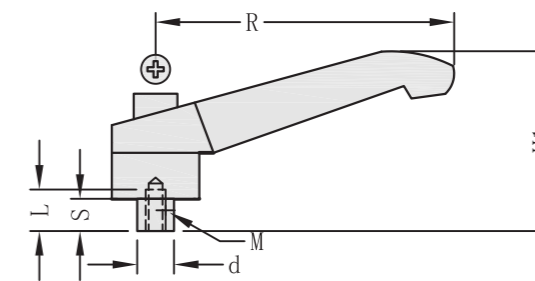
订购型号 S-2911Z-A

- 材质: 锌合金
- 表面处理: 黑色
- 特性: 调节灵活, 安装便捷, 坚固耐用。
- 用途: 工业自动化设备、航空、医疗、高铁、通信设备、电柜箱体及其它设备

- Material: zinc alloy
- Surface finish: black
- Features: flexible adjustment, easy installation, strong and durable.
- Applications: industrial automation equipment, aviation, medical, high-speed rail, communication equipment, electrical cabinet and other equipment

MODEL NO.	M	R (±5MM)	LF (±2MM)	H1 (±5MM)	S (±2MM)	D (±0.5MM)
S-2911Z-6-52 (A TYPE)	6	52	6	31	6	8
S-2911Z-8-65 (A TYPE)	8	65	8	40	9.5	12
S-2911Z-10-82 (A TYPE)	10	82	8	52	10	14
S-2911Z-12-95 (A TYPE)	12	95	10	57	12	17

ORDER INSTRUCTIONS: M STANDS FOR THREAD, R STANDS FOR CENTER OF THE THREAD TO END OF HANDLE.  
EXAMPLE: S-2911Z (A TYPE) M6\*52



订购型号 S-2911Z-B

- 材质: 锌合金
- 表面处理: 黑色
- 特性: 调节灵活, 安装便捷, 坚固耐用。
- 用途: 工业自动化设备、航空、医疗、高铁、通信设备、电柜箱体及其它设备

- Material: zinc alloy
- Surface finish: black
- Features: flexible adjustment, easy installation, strong and durable.
- Applications: industrial automation equipment, aviation, medical, high-speed rail, communication equipment, electrical cabinet and other equipment

MODEL NO.	M	R (±5MM)	L (±2MM)	H1 (±5MM)	S (±2MM)	D (±0.5MM)
S-2911Z-6-52-16 (B TYPE)	6	50	16	30	5	8
S-2911Z-6-52-20 (B TYPE)	6	50	20	30	5	8
S-2911Z-6-52-25 (B TYPE)	6	50	25	30	5	8
S-2911Z-8-65-20 (B TYPE)	8	65	20	38	8	12
S-2911Z-8-65-25 (B TYPE)	8	65	25	38	8	12
S-2911Z-8-65-30 (B TYPE)	8	65	30	38	8	12
S-2911Z-8-65-40 (B TYPE)	8	65	40	38	8	12
S-2911Z-10-82-20 (B TYPE)	10	82	20	52	10	14
S-2911Z-10-82-25 (B TYPE)	10	82	25	52	10	14
S-2911Z-10-82-32 (B TYPE)	10	82	32	52	10	14
S-2911Z-10-82-40 (B TYPE)	10	82	40	52	10	14
S-2911Z-12-95-25 (B TYPE)	12	95	25	57	16	17
S-2911Z-12-95-32 (B TYPE)	12	95	32	57	16	17
S-2911Z-12-95-40 (B TYPE)	12	95	40	57	16	17
S-2911Z-12-95-50 (B TYPE)	12	95	50	57	16	17

ORDER INSTRUCTIONS: M STANDS FOR THREAD, R STANDS FOR CENTER OF THE THREAD TO END OF HANDLE, L STANDS FOR OUTER THREAD DEPTH.  
EXAMPLE: S-2911Z (B TYPE) M6\*52\*16

